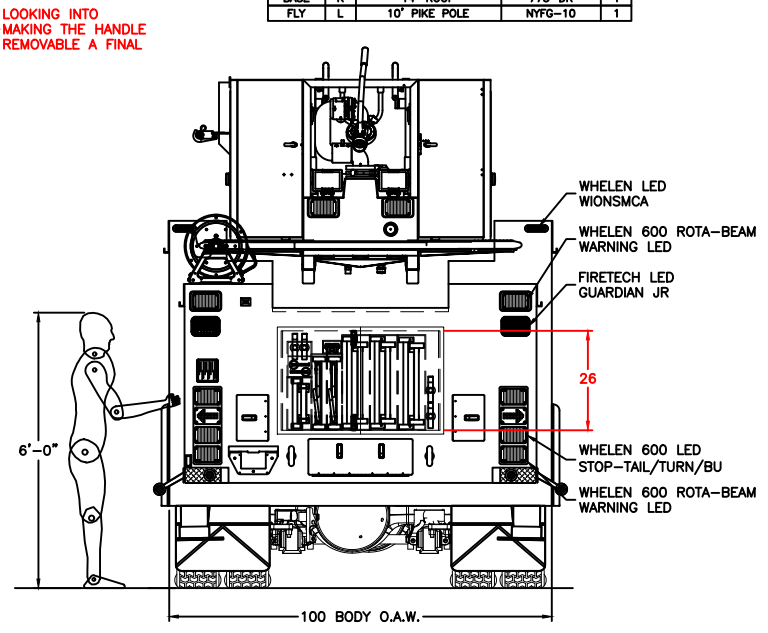
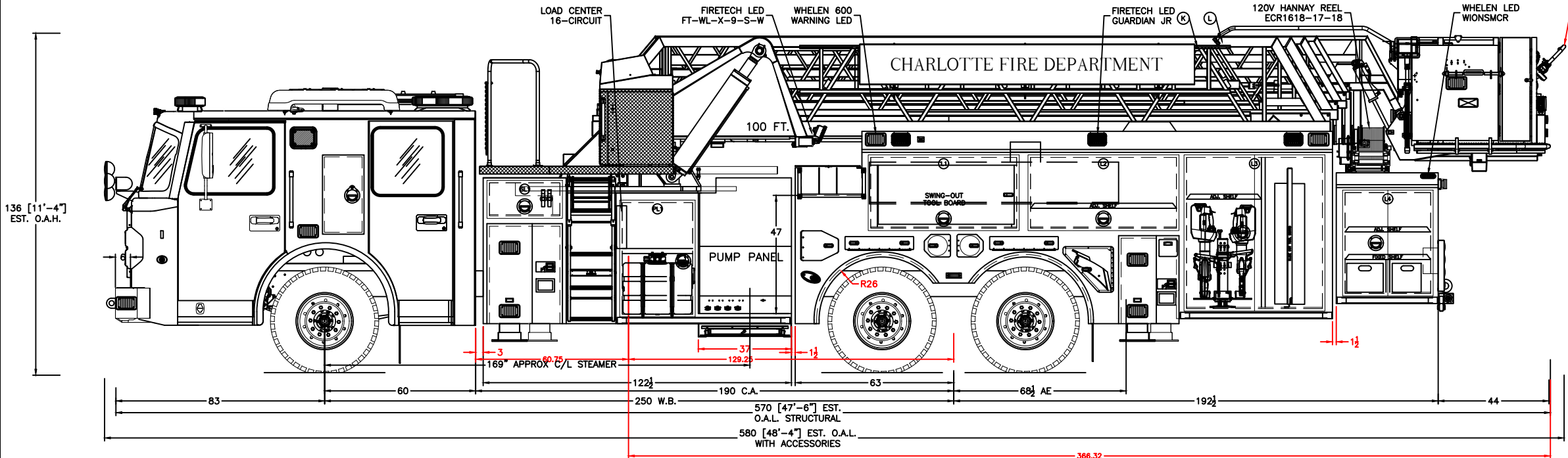


COMPARTMENT DIMENSIONS					
COMPT.	DOOR OPENING	INTERIOR	DIVIDE HEIGHT	DEPTH	WIDTH
L1	58"W x 27"H	61.5"W x 38"H	13"	13"	13"
L2	58"W x 27"H	63.5"W x 38"H	13"	13"	13"
L3	54"W x 59"H	62"W x 70"H	25"	25"	21"
L4	34"W x 39"H	12.5"W x 47.5"H	21"	21"	21"
R1	58"W x 27"H	61.5"W x 38"H	13"	13"	13"
R2	58"W x 27"H	63.5"W x 38"H	13"	13"	13"
R3	54"W x 59"H	62"W x 70"H	25"	25"	21"
R4	13"W x 39"H	36.5"W x 47.5"H	21"	21"	21"
PL1	28"W x 18"H	32.5"W x 47"H	19"	19"	19"
PR1	28"W x 41"H	32.5"W x 47"H	19"	19"	19"
SL1	28"W x 12"H	30.5"W x 14"H	TRANS	TRANS	TRANS
SR1	28"W x 12"H	30.5"W x 14"H	TRANS	TRANS	TRANS

GROUND LADDERS & PIKE POLES			
ITEM	DESCRIPTION	MODEL	QTY
A	35' 2 SEC EXTENSION	1200-A	1
B	28' 2 SEC EXTENSION	1200-A	2
C	16' ROOF	875-DR	2
D	10' FOLDING ATTIC	585-A	1
E	10' FRESNO	701	1
F	8' PIKE POLE	NYF-8	1
G	12' PIKE POLE	NYF-12	1
H	6' ROOF HOOKS	RH-6	2
I	OPEN TUBES	-	2
J	17' LITTLE GIANT	DEFENDER	1
K	14' ROOF	775-DR	1
L	10' PIKE POLE	NYFG-10	1



**NOTE:**  
 THIS DRAWING IS THE PROPERTY OF SPARTAN FIRE, LLC AND IS TO BE USED ONLY IN REFERENCE TO THE WORK PROPOSED OR CONTRACTED BY SPARTAN FIRE, LLC ANY REPRODUCTION IN PART OR IN WHOLE WITHOUT THE WRITTEN PERMISSION OF SPARTAN FIRE, LLC IS STRICTLY PROHIBITED.  
 DIMENSIONS SHOWN ARE APPROXIMATE AND ARE SUBJECT TO CHANGE AS MAY BE FOUND NECESSARY DURING CONSTRUCTION. THIS DRAWING MUST BE PLOTTED TO THE PAPER SIZE LISTED IN THE TITLE BLOCK FOR THE LISTED SCALE TO BE VALID.  
 THIS DRAWING IS FOR REFERENCE PURPOSES ONLY. SOME ITEMS MAY OR MAY NOT APPEAR ON THE DRAWING THAT MAY OR MAY NOT BE INCLUDED IN THE SPECIFICATIONS. THE SPECIFICATIONS SHALL BE THE FINAL AUTHORITY TO DETERMINE WHAT IS SUPPLIED ON THE APPARATUS.

REVISION HISTORY			
REV	BY	DATE	DESCRIPTION
01	CL	12/2/21	PRECON MEETING

**SHOP PRINT  
SHOP ORDER**

CHASSIS: SPARTAN GLADIATOR EMFD FLAT ROOF  
 ENGINE: CUMMINS X15 600HP WITH ALLISON 4000 EVS  
 PUMP: WATEROUS CSUD-TC208 2000GPM  
 WATER TANK: 300 U.S. GAL  
 BODY MATERIAL: 1/8" ALUMINUM  
 HOSE BED: 600' OF 5" / 38 CUBIC FEET  
 GENERATOR: HARRISON 10KW MCR  
 COMPARTMENTS: 185 CUBIC FEET



CHARLOTTE FIRE DEPARTMENT  
 CHARLOTTE, NC  
 MODEL: 100' MIDMOUNT PLATFORM (S45MP-100)  
 DEALERSHIP: ATLANTIC COAST FIRE TRUCKS  
 SCALE: 1/2" = 1' DRAWN BY: CL DATE: 12/2/21  
 SIZE: 24" X 36" DRAWING NO: S5258 REV: 01  
 SHEET: 1 OF 1