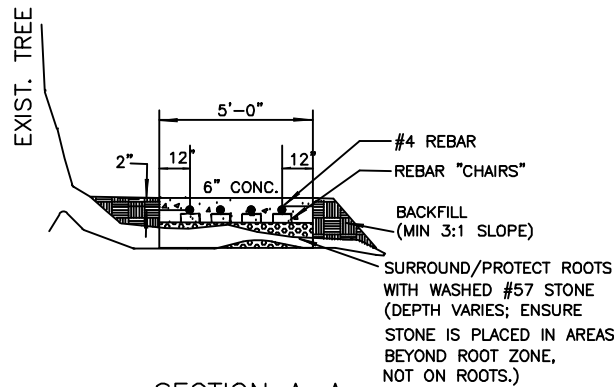


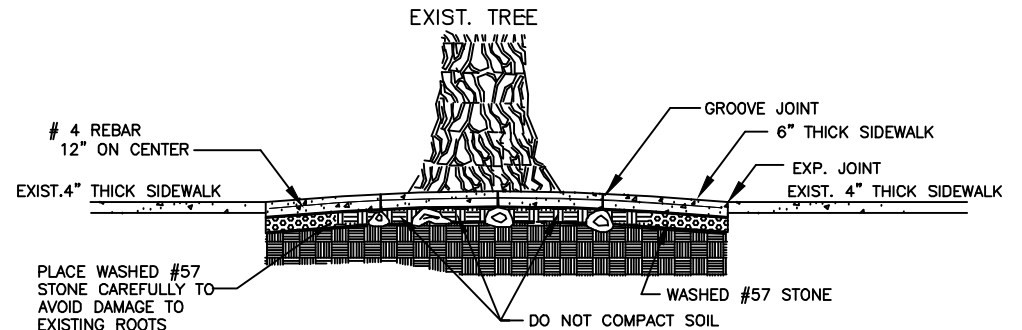
PLAN VIEW

NOTES:

1. BRIDGING LENGTH IS A MINIMUM OF 1 LINEAR FOOT OF BRIDGING PER INCH OF TREE CALIPER. BASED ON FIELD CONDITIONS, MAY BE LONGER AS NEEDED.
2. NOT TO BE USED WHEN LESS THAN 4' WIDE PLANTING STRIP BETWEEN SIDEWALK AND BACK OF CURB.



SECTION A-A



SECTION B-B



CITY OF CHARLOTTE
 LAND DEVELOPMENT STANDARDS
 INCLUDES CHARLOTTE ETJ

REINFORCED CONCRETE SIDEWALK
 (BRIDGING TREE ROOTS)

STD. NO.	REV.
40.11	15