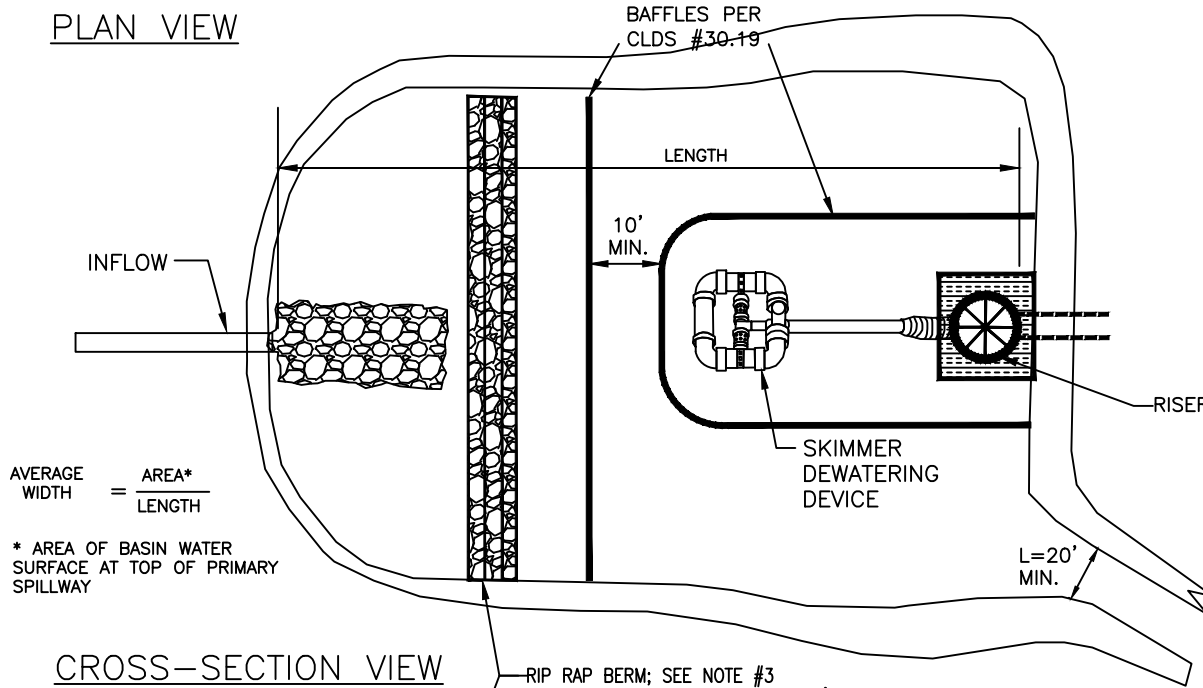


SEDIMENT BASIN DESIGN CRITERIA	
DRAINAGE AREA (ACRES)	>10 AC. <100 AC.
MIN. LENGTH TO WIDTH RATIO	2:1
MAX. LENGTH TO WIDTH RATIO	6:1
MIN. VOLUME REQUIRED	1800 (CU. FT. PER AC. DISTURBED)
SURFACE AREA REQUIRED	435 (SQ. FT. PER CFS Q10)

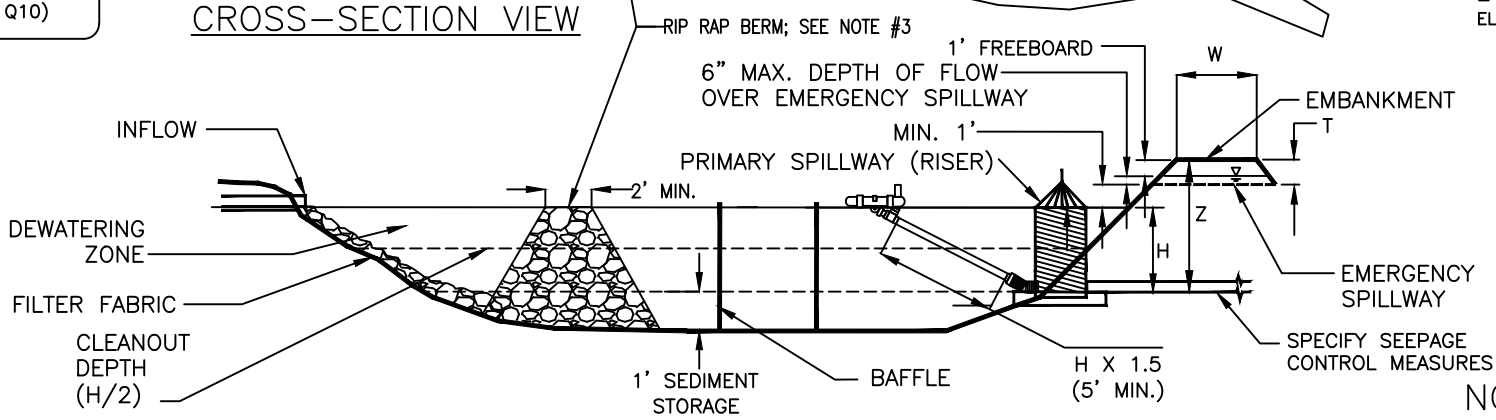
PLAN VIEW



AVERAGE WIDTH = $\frac{\text{AREA} *}{\text{LENGTH}}$

* AREA OF BASIN WATER SURFACE AT TOP OF PRIMARY SPILLWAY

CROSS-SECTION VIEW



NOTES:

1. REFER TO NCESCPDM SECTION #6.61 FOR ADDITIONAL DESIGN SPECIFICATIONS REGARDING SEDIMENT BASINS.
2. REFER TO STD. #30.19 FOR BAFFLE SPACING AND INSTALLATION.
3. FIRST BAFFLE IS TO BE CONSTRUCTED OF RIP-RAP, WITH A MIN. HEIGHT OF 3' AND MIN. TOPWIDTH OF 2'.
4. TURBIDITY CURTAIN (CLDS #30.23) MAY BE USED IN LIEU OF POROUS BAFFLES (CLDS #30.19).
5. FLASHBOARD RISER NOT PERMITTED FOR USE IN THE CITY OF CHARLOTTE
6. SKIMMER INVERT ELEVATION = BASIN BOTTOM + 1' MIN.
7. H = SPILLWAY ELEVATION - SKIMMER INVERT ELEVATION

DATA BLOCK

BASIN	DRAINAGE AREA (ACRES)	DENUDED AREA (ACRES)	Q ₁₀	BASIN VOLUME		BASIN SURFACE AREA		CLEANOUT DEPTH (FT.) H/2	H (FEET)	Z (FEET)	L (FEET)	T (FEET)	W (FEET)	SKIMMER PIPE DIAMETER	SKIMMER ORIFICE DIAMETER
				REQUIRED (CUBIC FT.)	PROVIDED (CUBIC FT.)	REQUIRED (SQ FT.)	PROVIDED (SQ FT.)								



CITY OF CHARLOTTE
LAND DEVELOPMENT STANDARDS
 INCLUDES CHARLOTTE ETJ

SEDIMENT BASIN

STD. NO.	REV.
30.03A	18