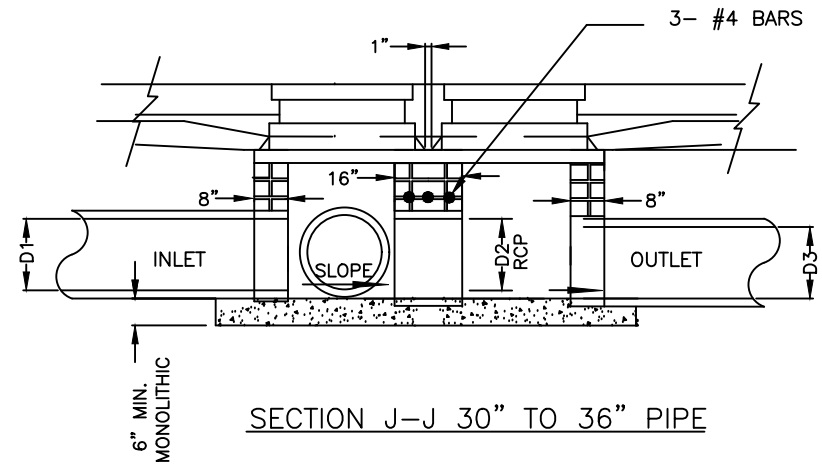
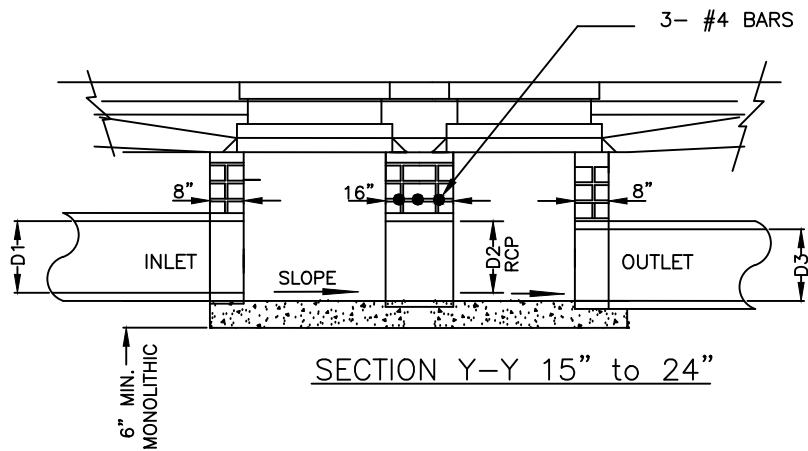
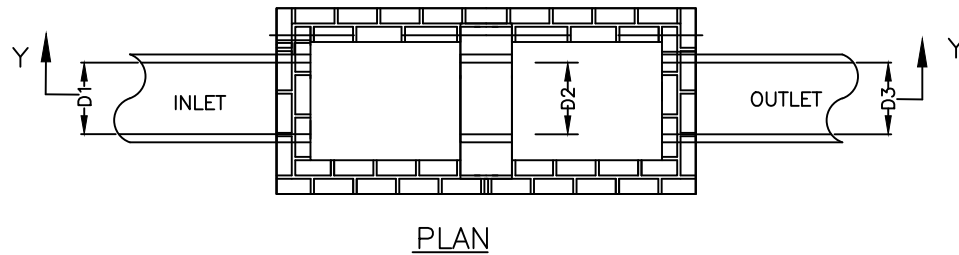
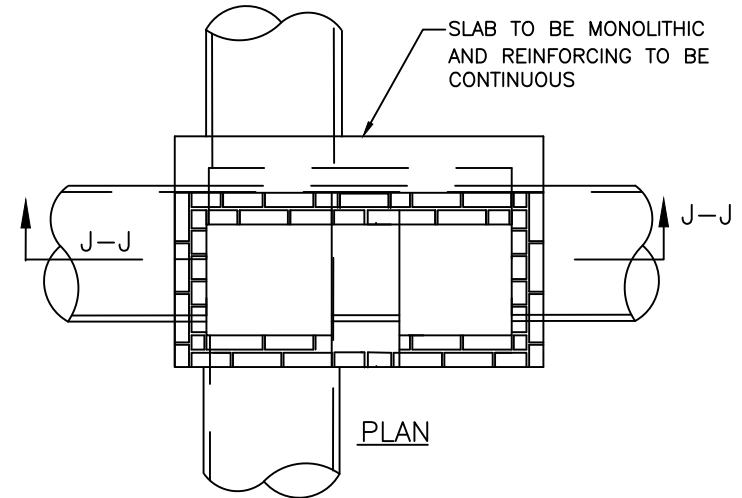


GENERAL NOTES:

1. NOT FOR USE ON NCDOT-MAINTAINED ROADWAYS OR WITHIN THE CITY OF CHARLOTTE ETJ.
2. SEE NCDOT STANDARD 840.01 FOR DETAILS BASED ON PIPE SIZE PER CROSS SECTION.
3. CONSTRUCT TWO SINGLE BASINS PER NCDOT STANDARD WITH DOUBLE INTERIOR WALL.
4. ALL CONCRETE TO BE 3600 P.S.I COMPRESSIVE STRENGTH.
5. BASE SLAB SHALL BE MONOLITHIC.
6. SEE CLDSM STANDARDS #10.29 AND #10.30 FOR PLACEMENT OF CATCH BASIN.
7. PIPE SECTION D2 CONNECTING CATCH BASINS SHALL HAVE A MINIMUM DIAMETER SAME AS OF OUTLET PIPE D3.
8. ALL REINFORCING STEEL SHOWN ON NCDOT STANDARDS IS TO BE PROVIDED AS CONTINUOUS MEMBERS. (NO LAPS, USED AS A SINGLE CONTINUOUS BAR IN THE SLAB)
9. WEEP HOLES SHALL BE PLACED IN BACK WALL WITH FILTER FABRIC OR STONE ON BACK SIDE



NOT TO SCALE



CITY OF CHARLOTTE
LAND DEVELOPMENT STANDARDS

BRICK DOUBLE CATCH BASIN
15" THRU 36" PIPE

STD. NO.	REV.
20.03	20