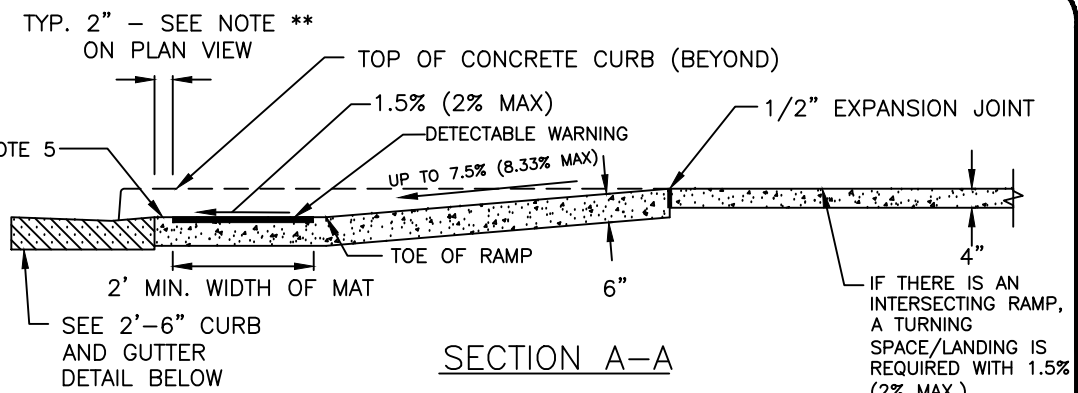
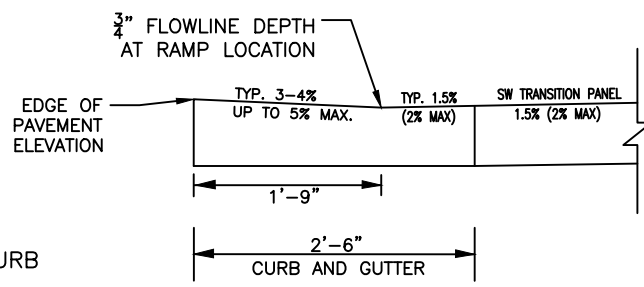


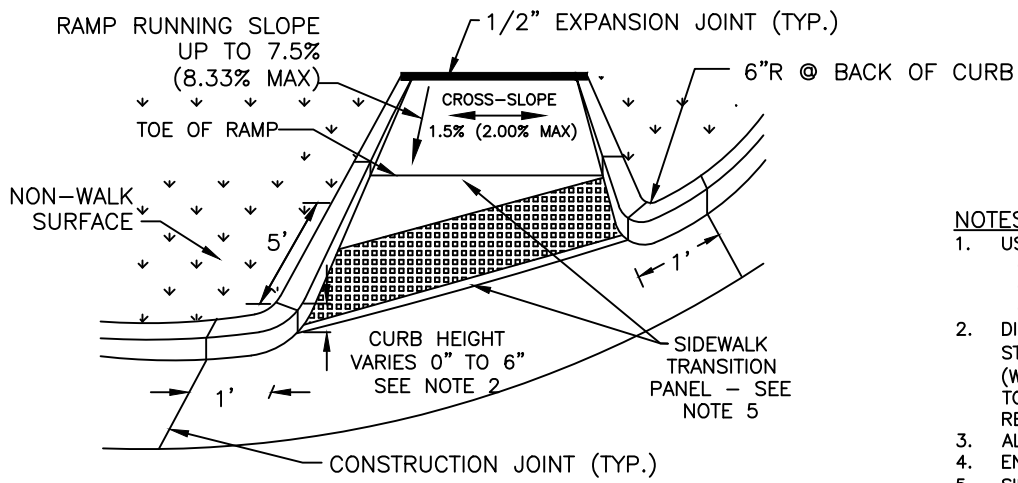
PLAN VIEW



SECTION A-A



2'-6" CURB AND GUTTER DETAIL
MAXIMUM SLOPES FOR CURB AND GUTTER DEPRESSION AT DIRECTIONAL RAMPS



PERSPECTIVE

NOTES:

- USE THIS DETAIL ONLY UNDER THE FOLLOWING CIRCUMSTANCES:
 - 5-FOOT SIDEWALKS WITH CURB RADII GREATER THAN 35 FEET
 - 6-FOOT SIDEWALKS WITH CURB RADII GREATER THAN 30 FEET
 - 8-FOOT SIDEWALKS WITH CURB RADII GREATER THAN 25 FEET
- DIRECTIONAL RAMPS WITH RETURNED CURBS AS SHOWN MAY BE USED WHEN A PLANTING STRIP (NON-WALK SURFACE) IS PROVIDED. DO NOT USE THIS DETAIL IF THERE IS HARDSCAPE (WALKABLE SURFACE) INSTEAD OF A PLANTING STRIP. IF A WALKABLE SURFACE IS ADJACENT TO RAMP CONSTRUCT CONCRETE FLARES WITH SLOPES UP TO 10% MAX, INSTEAD OF RETURNED CURBS.
- ALL CONCRETE SHALL BE AT LEAST 3600 PSI.
- ENSURE FLUSH CONDITIONS AT RAMP TO GUTTER TRANSITION.
- SIDEWALK TRANSITION PANEL: PREFERRED 1.5% (2.0% MAX) IN ALL DIRECTIONS IN FRONT OF GRADE BREAK AND DRAIN TO FLOW LINE. RUNNING SLOPE OF THIS AREA MUST NOT EXCEED 2%. CROSS-SLOPE MAY MATCH STREET GRADE AT BACK OF CURB WHEN STREET GRADE >2%. TRANSITION TO 1.5% (2.0% MAX) CROSS-SLOPE AT TOE OF RAMP.

THIS DETAIL IS NOT FOR USE IN ETJ, OR ON NCDOT-MAINTAINED STREETS.

NOT TO SCALE



CITY OF CHARLOTTE
LAND DEVELOPMENT STANDARDS

DIRECTIONAL CURB RAMP
WITH LARGE CURB RADIUS

STD. NO.	REV.
10.40B	20