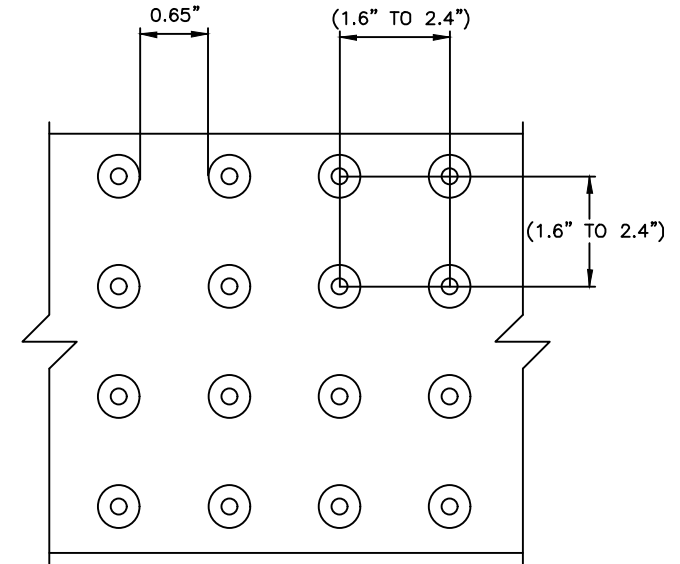
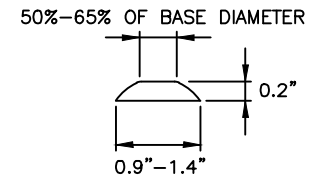


TRUNCATED DOME PLAN VIEW



TRUNCATED DOME SPACING



TRUNCATED DOME SECTION

**NOTES:**

1. ALL DETECTABLE WARNING DEVICES USED IN NEW CONSTRUCTION SHALL BE OF A RIGID PRECAST OR EMBEDDED PRODUCT APPROVED BY THE CITY ENGINEER. RETROFIT MATS WILL ONLY BE ALLOWED ON EXISTING RAMPS WITH PRIOR APPROVAL OF THE CITY ENGINEER FOR MATERIAL TYPE AND INSTALLATION (IE. RESURFACING).
2. RAMP AND DETECTABLE WARNING AREA SHALL BE A MINIMUM OF 4 FEET IN WIDTH, BUT NOT LESS THAN THE WIDTH OF SIDEWALK LEADING TO BACK OF RAMP.
3. DETECTABLE WARNING SURFACES SHALL EXTEND 2.0 FT MINIMUM IN THE DIRECTION OF PEDESTRIAN TRAVEL.
4. DETECTABLE WARNING AREA CAN BE PLACED SQUARE WHERE USED IN A CURB RADIUS.
5. THE ROWS OF TRUNCATED DOMES IN DETECTABLE WARNING SURFACES SHOULD BE ALIGNED PERPENDICULAR TO THE GRADE BREAK BETWEEN THE RAMP RUN AND THE STREET. WHERE DETECTABLE WARNING SURFACES ARE PROVIDED ON A SURFACE WITH A SLOPE THAT IS LESS THAN 5 PERCENT, DOME ORIENTATION IS LESS CRITICAL.
6. DETECTABLE WARNING AREA SHALL CONTRAST VISUALLY WITH ADJACENT GUTTER, STREET OR HIGHWAY, OR PEDESTRIAN ACCESS ROUTE SURFACE; EITHER LIGHT-ON-DARK OR DARK-ON-LIGHT. ON THE TRYON STREET MALL, FRENCH GRAY IS TO BE USED.
7. IF PAVERS ARE TO BE USED, PAVERS SHALL BE MINIMUM 8000 PSI CONCRETE WITH A 2-INCH MINIMUM THICKNESS, SET ON A THIN-SET MORTAR ON TOP OF 4" THICK 3600 PSI CONCRETE BASE.
8. MATS ARE TO BE RIGID WITH TURNED-DOWN EDGES EMBEDDED IN CONCRETE TO ELIMINATE TRIP HAZARD.
9. DIMENSIONS PER NCDOT 848.06

NOT TO SCALE



CITY OF CHARLOTTE  
LAND DEVELOPMENT STANDARDS  
INCLUDES CHARLOTTE ETJ

TRUNCATED DOMES  
PLAN AND CROSS-SECTION

STD. NO.	REV.
10.35B	15