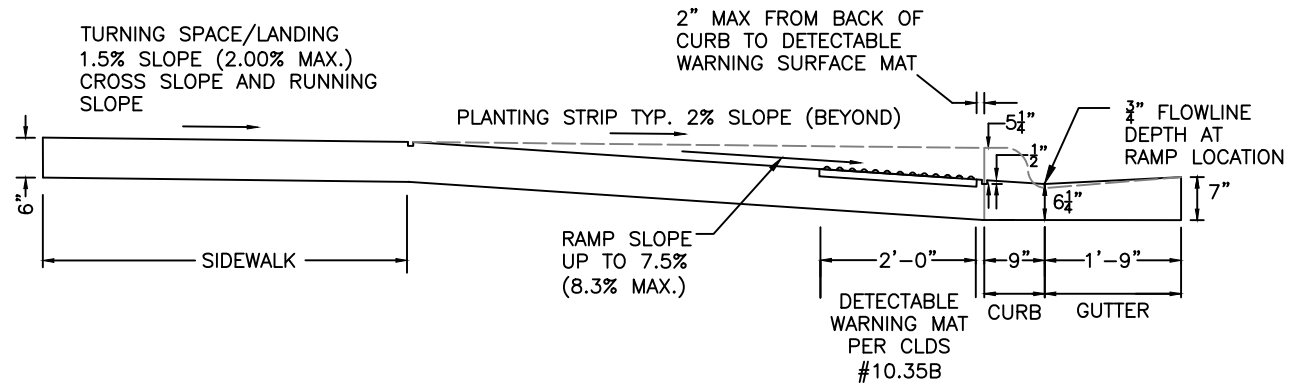
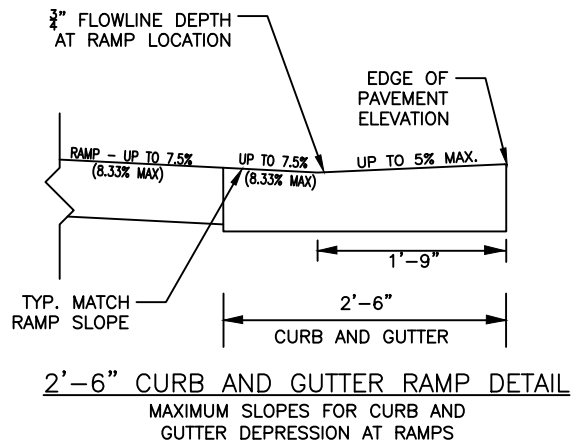
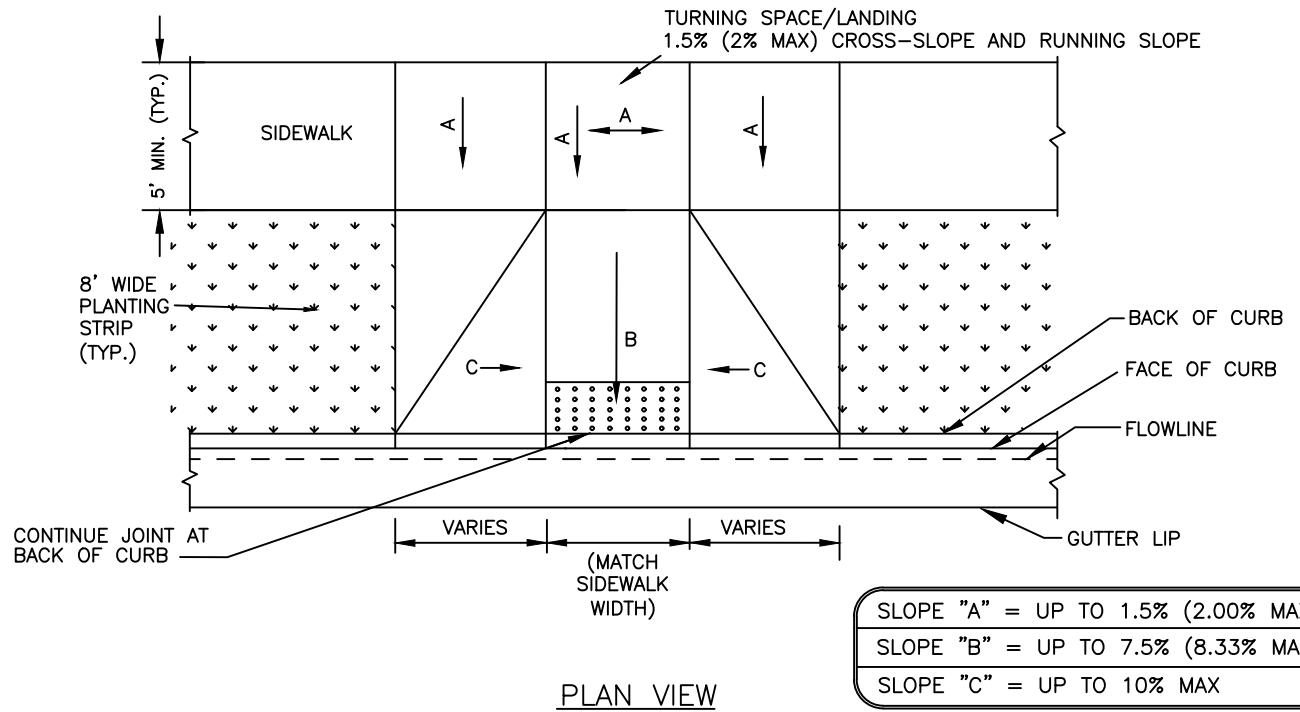


NOTES:

1. ENSURE FLUSH CONDITIONS AT CURB RAMP TO GUTTER TRANSITION.
2. TYPICALLY, THE SIDEWALK RUNNING SLOPE SHALL NOT EXCEED THE GENERAL GRADE ESTABLISHED FOR THE ADJACENT STREET.
3. IF THE SLOPE FROM FLOWLINE TO BACK OF CURB AT RAMP IS LESS THAN 8.33%, THEN THE SLOPE FROM LIP TO FLOWLINE AT RAMP MAY EXCEED 5% AS LONG AS THE ALGEBRAIC DIFFERENCE BETWEEN THESE TWO SLOPES IS LESS THAN 13.33%.



NOT TO SCALE



CITY OF CHARLOTTE
LAND DEVELOPMENT STANDARDS
INCLUDES CHARLOTTE ETJ

PERPENDICULAR CURB RAMP
WITH 2'-6" CURB AND GUTTER

STD. NO.	REV.
10.31A	20