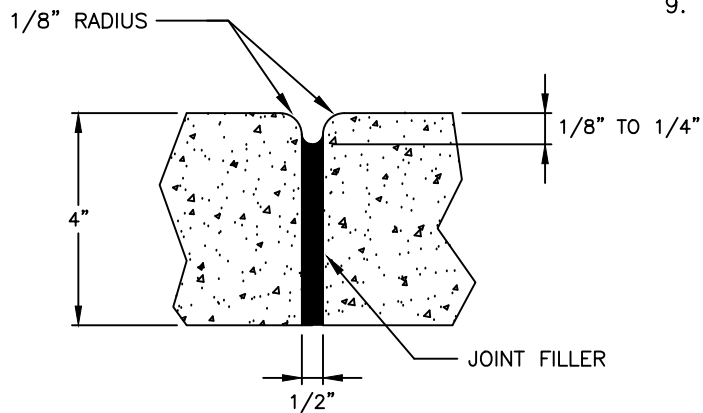


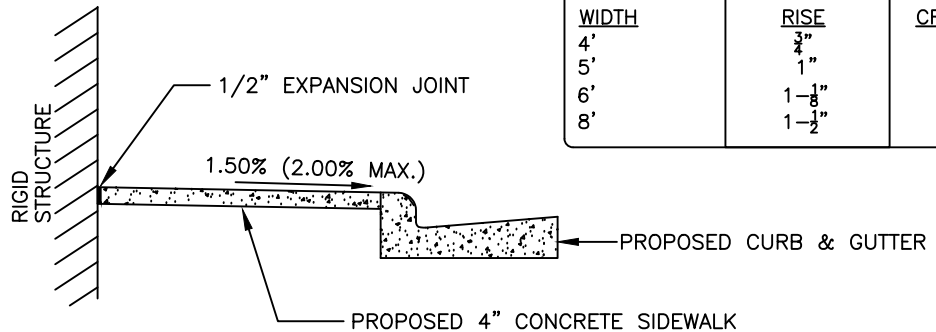
GROOVE JOINT IN SIDEWALK



TRANSVERSE EXPANSION JOINT IN SIDEWALK

GENERAL NOTES:

1. A GROOVE JOINT 1" DEEP WITH 1/8" RADII SHALL BE REQUIRED IN THE CONCRETE SIDEWALK WITH JOINT SPACING EQUAL TO THE WIDTH OF SIDEWALK, UP TO 10' WIDTH. WIDER THAN 10' REQUIRES SPECIAL DESIGN (SEE DETAIL #10.42 FOR MULTI-USE PATH).
2. ONE 1/2" EXPANSION JOINT WILL BE REQUIRED AT INTERVALS OF NOT MORE THAN 45' AND MATCHING EXPANSION/CONSTRUCTION JOINT IN ADJACENT CURB. A SEALED 1/2" EXPANSION JOINT WILL BE REQUIRED WHERE THE SIDEWALK JOINS ANY RIGID STRUCTURE.
3. SIDEWALK AT DRIVEWAY ENTRANCES TO BE 6" THICK.
4. WIDTH OF SIDEWALK ON THOROUGHFARE STREETS SHALL BE A MINIMUM OF 6'. WIDTH OF SIDEWALKS IN THE CENTRAL BUSINESS DISTRICT WILL BE DETERMINED BY THE CDOT.
5. WIDTH OF SIDEWALKS ON NON-THOROUGHFARE STREETS SHALL BE BASED ON TYPICAL STREET SECTION, A MINIMUM OF 5'. SIDEWALK TO BE POURED TO END OF RADIUS AT INTERSECTING STREETS.
6. CONCRETE COMPRESSIVE STRENGTH SHALL BE 3600 PSI. IN 28 DAYS.
7. ZONING CONDITIONS MAY REQUIRE ADDITIONAL WIDTH SIDEWALKS WHICH SHALL SUPERSEDE THESE STANDARD DIMENSIONS SHOWN.
8. LIDS FOR JUNCTION BOXES AND UTILITY VAULTS SHALL BE NON-SKID AS SPECIFIED BY ENGINEER.
9. JOINT MATERIALS SHALL LIMIT SHRINK/SWELL SO POST CONSTRUCTION INSTALLATION RESULTS IN A MAXIMUM OF 1/4" FROM FLUSH.



DETAILS SHOWING EXPANSION JOINTS IN CONCRETE SIDEWALK

EXAMPLE SIDEWALK CONSTRUCTION DIMENSIONS:		
WIDTH	RISE	CROSS-SLOPE
4'	3/4"	1.56%
5'	1"	1.67%
6'	1-1/8"	1.56%
8'	1-1/2"	1.56%

NOT TO SCALE



CITY OF CHARLOTTE
LAND DEVELOPMENT STANDARDS
INCLUDES CHARLOTTE ETJ

CONCRETE SIDEWALKS

STD. NO.	REV.
10.22	20