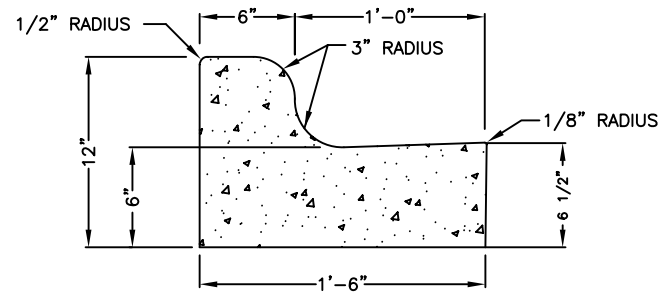
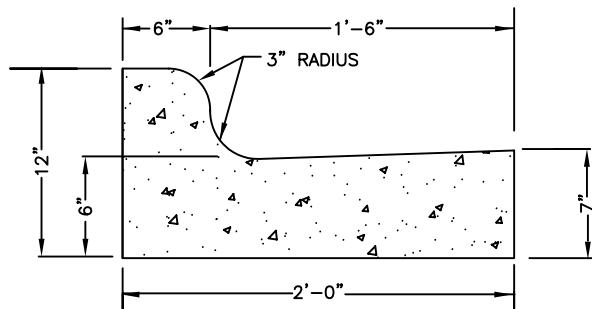


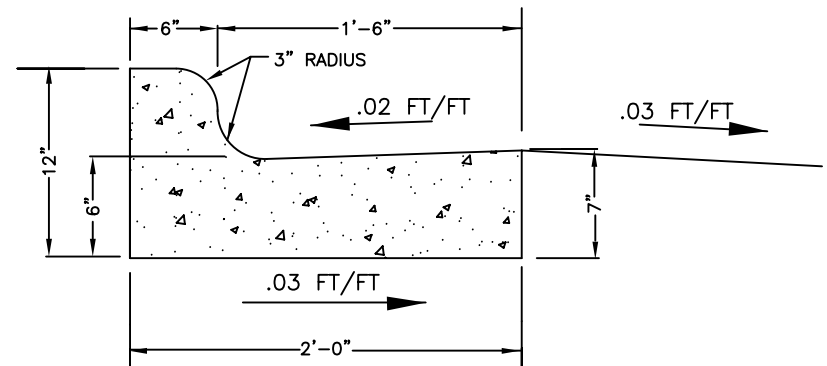
STANDARD 2'-6" CURB AND GUTTER



1'-6" STANDARD CURB AND GUTTER



2'-0" STANDARD CURB & GUTTER



SLOPE FOR VARIABLE
SUPERELEVATION RATES

NOT TO SCALE



CITY OF CHARLOTTE
LAND DEVELOPMENT STANDARDS
INCLUDES CHARLOTTE ETJ

STANDARD CURB AND GUTTER

STD. NO.	REV.
10.17A	