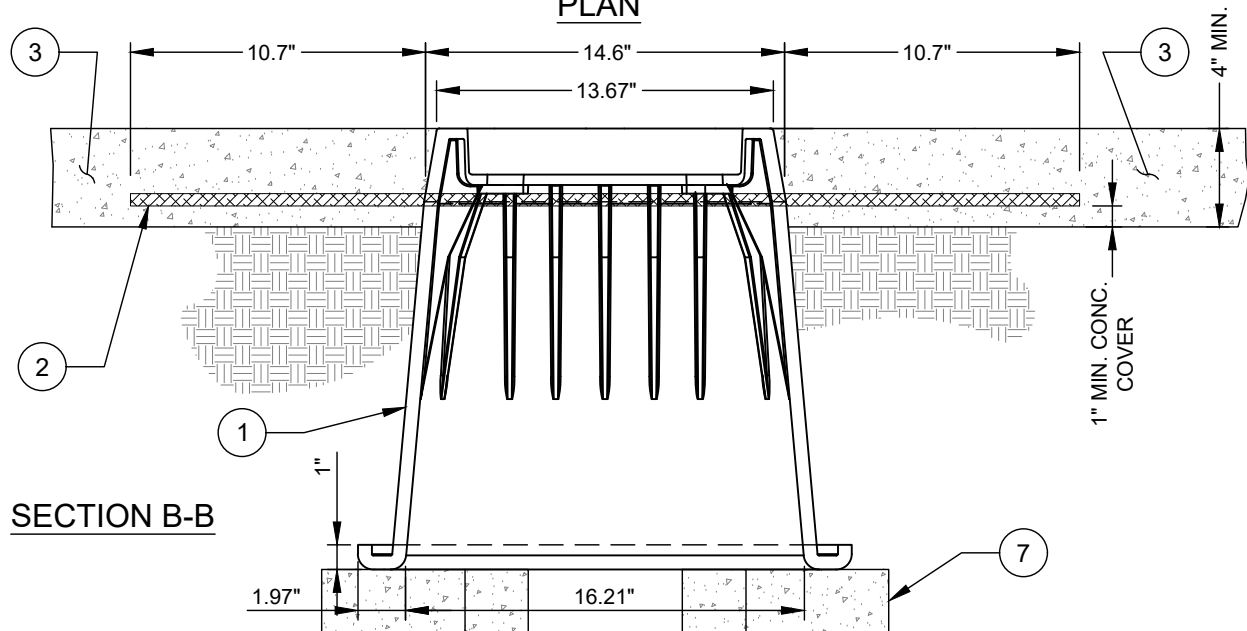
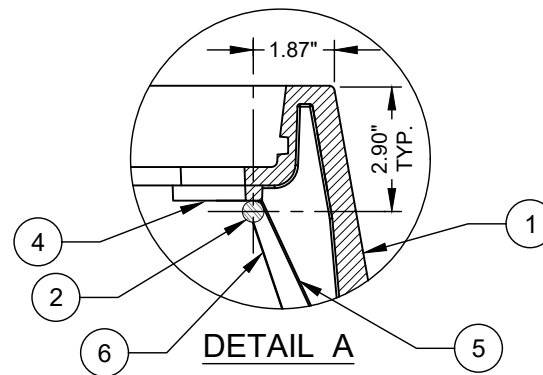


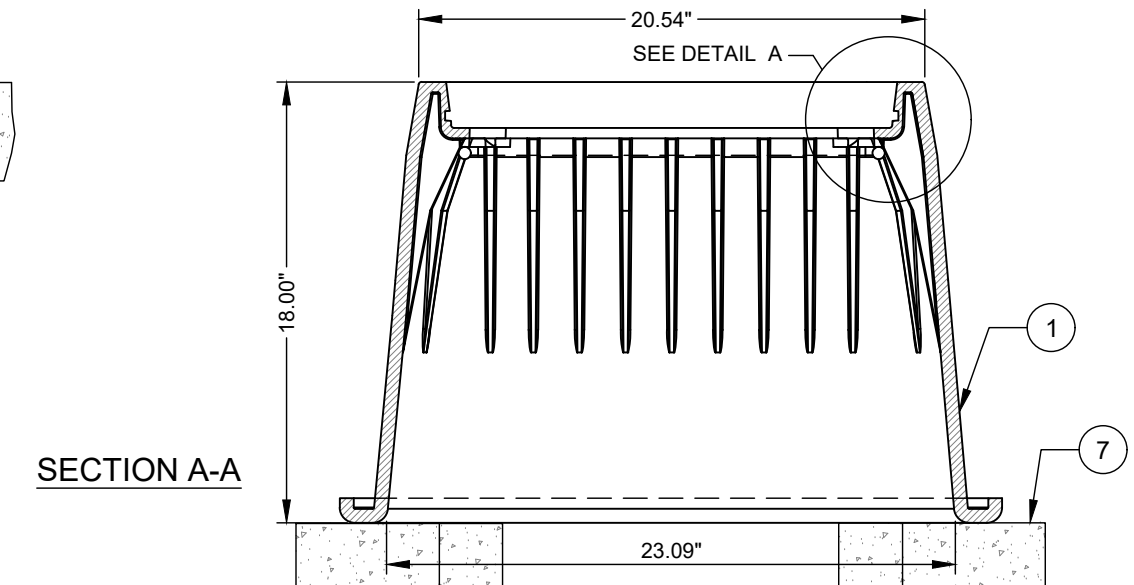
PLAN



SECTION B-B



DETAIL A



SECTION A-A

NO. DESCRIPTION:

1. GREEN PLASTIC IRRIGATION WATER SERVICE METER BOX AND GREEN PLASTIC LID.
2. 1/2" DIAMETER REBAR x 2, L = 36 INCHES, INSTALLED THROUGH 1/2" DIAMETER DRILLED HOLES IN METER BOX WALLS AND CORNER RIBS. LOCATE AS SHOWN WITH BOX LIP AND SIDE RIBS RESTING ON REBAR.
3. CONCRETE HARDSCAPE, $f'_c = 3,600$ PSI, MINIMUM.
4. BOX LIP.
5. SIDE RIB.
6. CORNER RIB.
7. SOLID STANDARD CONCRETE BRICK - DIAGONAL AT 4 CORNERS.

NOTES:

- A. RELOCATE METER BOX OUTSIDE CONCRETE HARDSCAPE WHEN POSSIBLE.
- B. RELOCATION AND FINAL LOCATION REQUIRES CHARLOTTE WATER APPROVAL.
- C. IF RELOCATION IS NOT POSSIBLE, METER BOX MUST BE LOCATED COMPLETELY WITHIN CONCRETE.
- D. METER BOX SHALL BE SET FLUSH WITH CONCRETE.