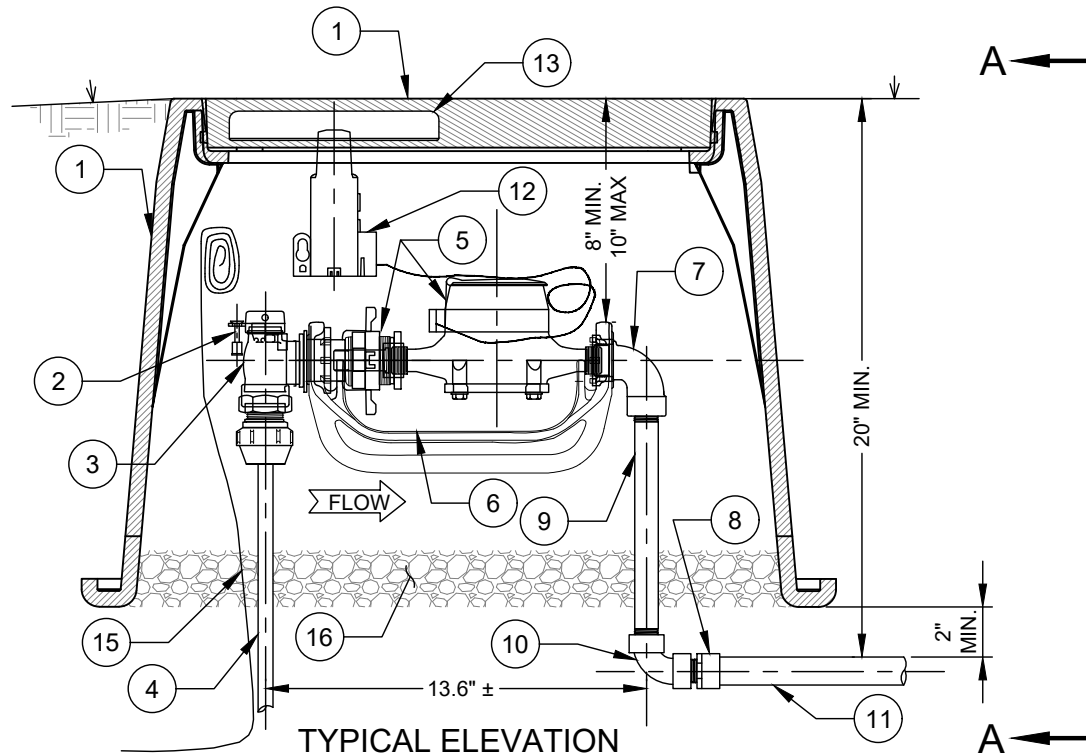


PLAN



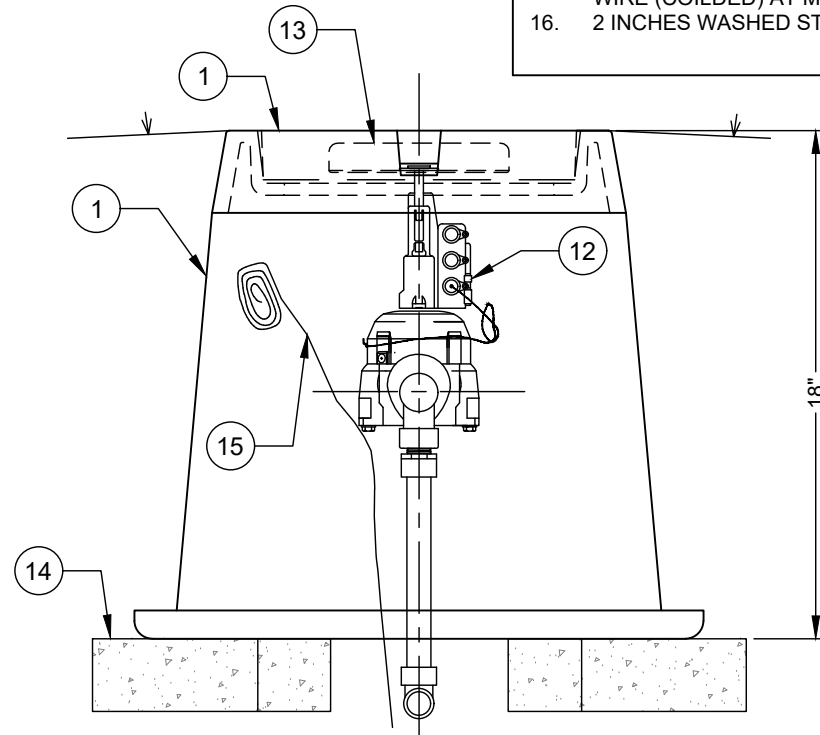
TYPICAL ELEVATION

NOTES:

- A. CENTER ANGLE BALL VALVE / 90° CONNECTOR (NO. 3 / NO. 7) IN METER BOX.
- B. SHOWN AS 3/4" SERVICE, USE 1" COMPONENTS FOR 1" IRRIGATION SERVICE.
- C. SOLVENT WELDS ON PVC PIPE / FITTINGS SHALL BE CLEANED AND PRIMED PRIOR TO APPLYING GLUE.

NO. DESCRIPTION:

- 1. PLASTIC GREEN METER BOX AND GREEN LID (CONCRETE BOX REQUIRED IN CONCRETE SIDEWALK APPLICATIONS AS DIRECTED).
- 2. STUD LOCK, FURNISHED BY CHARLOTTE WATER.
- 3. 3/4" x 5/8" ANGLE BALL VALVE W / LOCK WINGS (LOCKED - CLOSED).
- 4. 3/4" COPPER TUBING OR 3/4" HDPE - COPPER TUBING SIZE (CTS).
- 5. 5/8" METER ASSEMBLY, WITH ERT AMR, FURNISHED BY CHARLOTTE WATER.
- 6. 5/8" YOKE BAR.
- 7. BRASS 90° YOKE STAR NUT x FNPT CONNECTOR - (MULLER H - 14214 FORD L - 91, OR McDONALD 4779FY).
- 8. SCH. 80 PVC ADAPTER (MNPT x SOCKET).
- 9. 3/4" OR 1" RED BRASS NIPPLE (LL = 6" OR 9" AS REQUIRED FOR CLEARANCE).
- 10. BRASS 90° BEND (FNPT X FNPT).
- 11. 3/4" SCH. 40 PVC TAIL PIPE (L = 24").
- 12. ERT - ELECTRONIC RADIO TRANSMITTER.
- 13. TRANSMITTER SUPPORT SLOT.
- 14. SOLID STANDARD CONCRETE BRICK-DIAGONAL AT CORNERS - 4 EACH.
- 15. AWG #12 GAUGE SOLID COPPER TRACER WIRE WITH BLUE 30 MIL HDPE INSULATION, TERMINATE WITH 24 INCH EXCESS WIRE (COILDED) AT METER BOX AND VALVE BOX (TYP.).
- 16. 2 INCHES WASHED STONE INSIDE BOX.



VIEW A-A