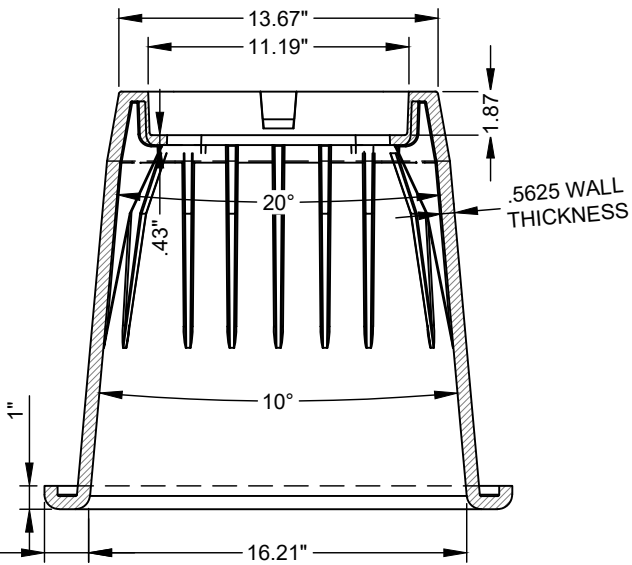


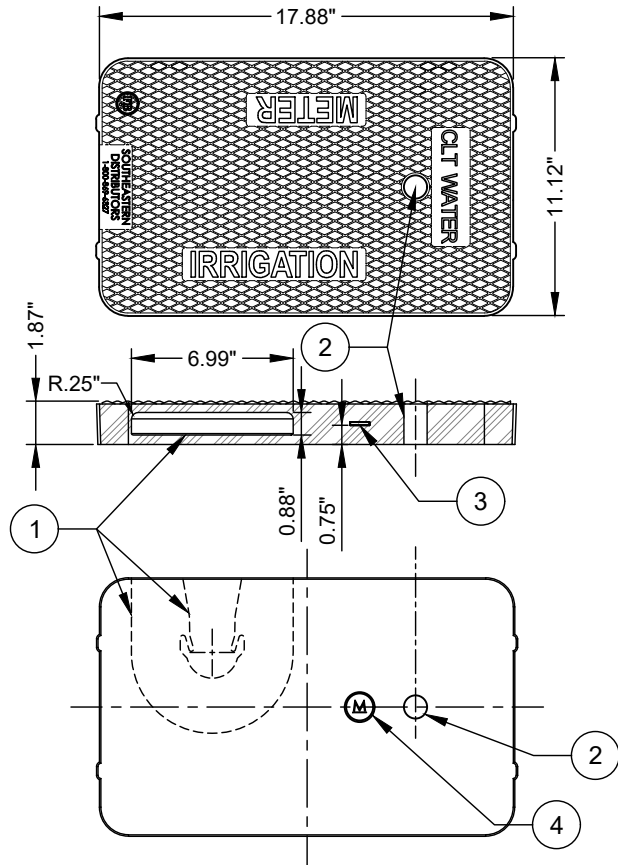
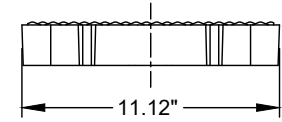
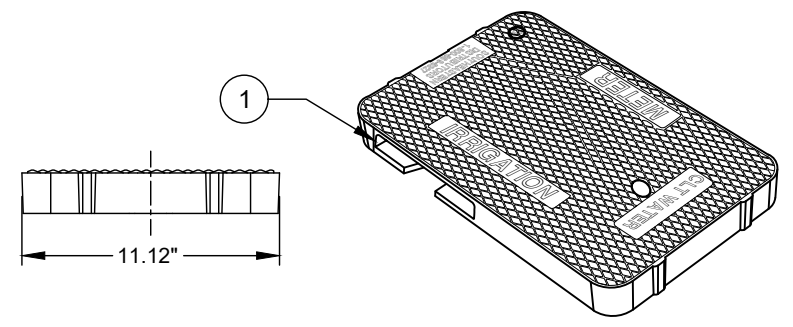
SECTION A-A



SECTION B-B

SUPPLIER/MANUFACTURER: SOUTHEASTERN DISTRIBUTORS MODEL MB-17.5 GREEN BOX & LID (COLOR-PANTONE #355C) WITH AMR TRANSMITTER SUPPORT BRACKET (AS SHOWN)

- | NO. | DESCRIPTION:                    |
|-----|---------------------------------|
| 1.  | AMR TRANSMITTER SUPPORT.        |
| 2.  | 1 INCH DIAMETER PICK HOLE.      |
| 3.  | 1/8" X Ø3/4" RARE EARTH MAGNET. |
| 4.  | IMPRINTED "M" UNDER MAGNET.     |



BOTTOM VIEW