

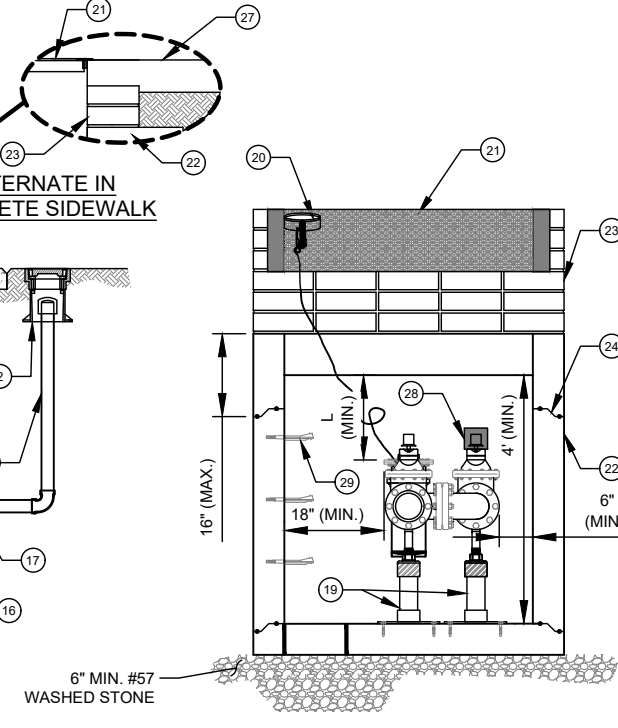
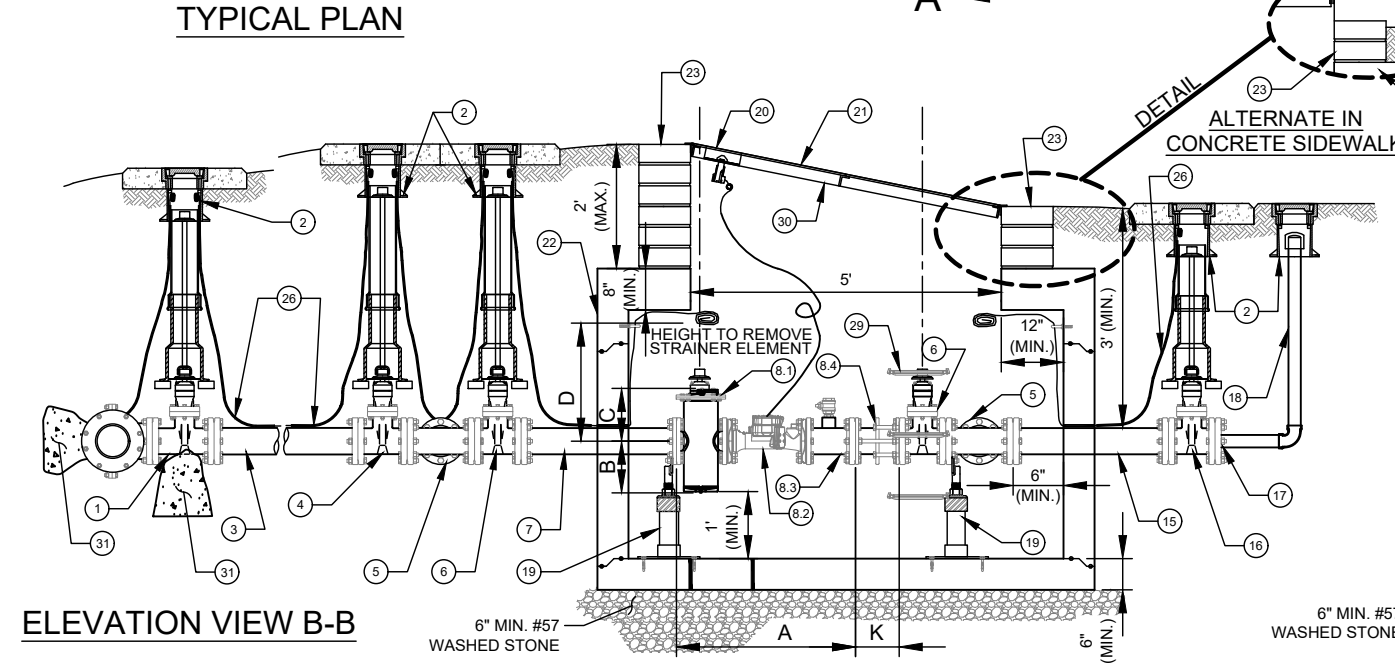
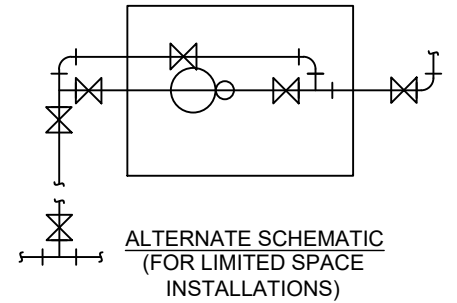
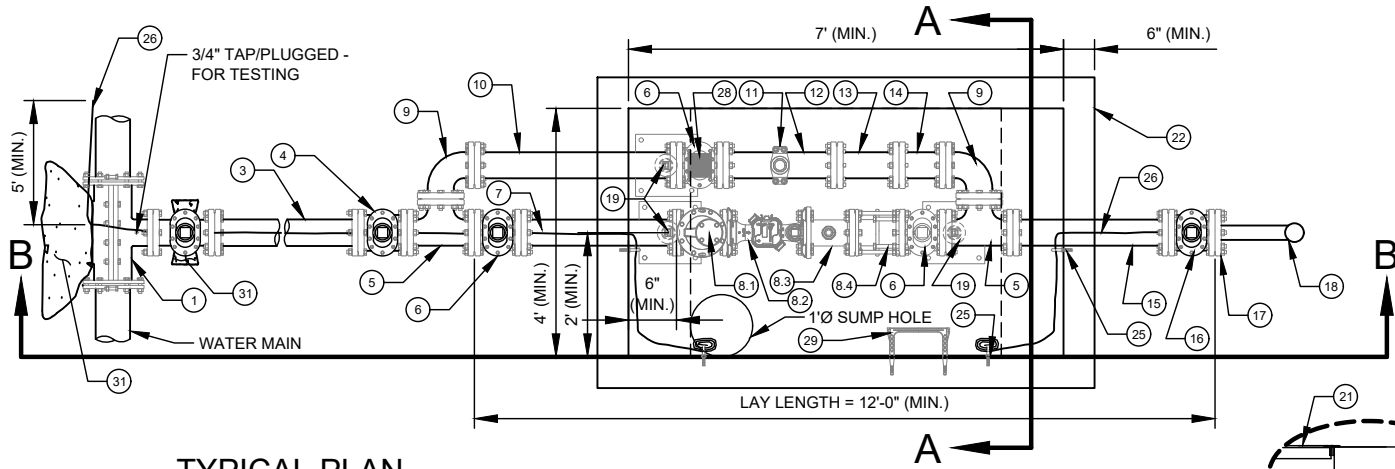
**NOTES:**

- A. ALL FLANGE HARDWARE (BOLT/WASHER/NUT) SHALL BE STAINLESS STEEL - TYPE 304 WITH ANTI-SEIZE COMPOUND.
- B. ALL PIPE SHALL BE RESTRAINED JOINT DUCTILE IRON FROM TAP TO PROPERTY LINE VALVE.
- C. METER CONFIGURATION AND LENGTH / WIDTH MAY VARY DUE TO BRAND - VERIFY DIMENSIONS TO DETERMINE MINIMUM VAULT SIZE.
- D. VAULT SHALL BE SIZED AS NEEDED FOR MINIMUM CLEARANCE AS SHOWN AND RATED FOR NCDOT HS-20 LOADING - SUBMIT SHOP DRAWINGS / P.E. SEALED FOR REVIEW.
- E. ALL CONCRETE SHALL BE MINIMUM 4,000 PSI COMPRESSIVE STRENGTH.
- F. DESIGN SHALL CONFORM TO ASTM C858 - SPECIFICATIONS FOR "UNDERGROUND PRECAST CONCRETE UTILITY STRUCTURE".

- G. STEEL REINFORCING DESIGN SHALL CONFORM TO ASTM C857.
- H. REBARS SHALL BE GRADE 60 PER ASTM A615.
- I. WELDED WIRE FABRIC SHALL CONFORM TO ASTM A185.
- J. DIAGONAL REINFORCING SHALL BE ADDED AT ALL OPENINGS.
- K. PIPE PENETRATIONS SHALL BE SEALED WITH FLEXIBLE CONNECTORS (MANHOLE BOOTS) OR WITH 8" OF BRICK & MORTAR (AND 1/2-INCH THICK CONSTRUCTION EXPANSION MATERIAL).
- L. FRAME TO BE FLUSH WITH GROUND OR CONCRETE SIDEWALK, GROUND SHALL SLOPE AWAY FROM VAULT.
- M. ALL JOINTS SHALL BE MADE WATERTIGHT USING 2 RINGS OF BUTYL RUBBER JOINT MASTIC.
- N. ALL VALVES SHALL BE OPEN RIGHT - CLOCKWISE, EXCEPT NO. 16.
- O. PRECAST VAULT COMPONENTS SHALL HAVE MARKINGS PER ASTM C478 REQUIREMENTS.

**NO. DESCRIPTION:**

1. 4" TAPPING SLEEVE AND 4" FL X MJ TAPPING VALVE ON EXISTING MAIN. 4" MJ OUTLET TEE, 4" FOSTER ADAPTOR, AND 4" MJ GATE VALVE ON NEW MAIN. WHEN THE NEW MAIN IS LARGER THAN 12", USE A 6" SWIVEL TEE, 6" MJ GATE VALVE, 6" FOSTER ADAPTOR, AND 6" X 4" MJ REDUCER.
2. STANDARD VALVE BOX ASSEMBLY (TYPICAL) - ALL VALVES.
3. 4" DUCTILE IRON PIPE - RESTRAINED.
4. 4" MJ X FL DUCTILE IRON ADAPTER ON SHORT SIDE SERVICE (NOT SHOWN), 4" MJ X FL GATE VALVE ON LONG SIDE SERVICE (SHOWN).
5. 4" ALL FLANGE DUCTILE IRON TEE.
6. 4" ALL FLANGE GATE VALVE.
7. 4" ALL FLANGE DUCTILE IRON PIPE SPOOL - L = 30" (MIN.) (SPECIAL CLASS 53).
8. 4" ULTRASONIC WATER METER ASSEMBLY (FLANGE X FLANGE).
- 8.1. BERMAD OR BADGER FIRE RATED BASKET STRAINER (FL X FL) - LL = 11.5" (BERMAD MODEL FP-60F-D) OR LL = 11.375" (BADGER MODEL 7000 AFSS FIRE SERVICE STRAINER).
- 8.2. 4-INCH MASTER METER OCTAVE OR BADGER E-SERIES OR NEPTUNE MACH10 ULTRASONIC WATER METER WITH ITRON W100 TRANSMITTER - LL = 14".
- 8.3. 4" EPOXY COATED/LINED STEEL FL X FL SPOOL WITH 2" FNPT TEST OUTLET - LL = 12" (MARS CO.) AND 2" BALL CORPORATION STOP WITH T-HEAD OPERATING NUT - MNPT X FNPT.
- 8.4. ROMAC D J400 DISMANTLING JOINT - LL = 7" TO 9", SET TO 8" OR SMITH-BLAIR MODEL 975 DISMANTLING JOINT (RESTRAINED) - LL = 8" TO 10", SET TO 9".
9. 4" DUCTILE IRON 90° BEND FLANGE X FLANGE.
10. 4" DUCTILE IRON PIPE - FLANGE X FLANGE SPOOL - L = 48" (MIN.) (SPECIAL CLASS 53).
11. 4" X 1.5" SERVICE SADDLE WITH 1.5" BALL CORPORATION STOP WITH T-HEAD OPERATING NUT - CC - TAPER THREAD X FNPT.
12. 4" DUCTILE IRON PIPE - FLANGE X PE - L = 24" (MIN.) (SPECIAL CLASS 53).
13. 4" MECHANICAL JOINT DUCTILE IRON LONG PATTERN SOLID SLEEVE WITH RESTRAINED JOINTS.
14. 4" DUCTILE IRON PIPE - FLANGE X PE - L = 12" (MIN.) (SPECIAL CLASS 53).
15. 4" DUCTILE IRON PIPE - FLANGE X PE - L = 30" (MIN.) (SPECIAL CLASS 53).
16. 4" MECHANICAL JOINT (RJ) GATE VALVE - OPEN LEFT AT PROPERTY LINE.
17. 4" MECHANICAL JOINT PLUG WITH 2" TAP (FNPT).
18. 2" TEMPORARY BLOW OFF ASSEMBLY (GALV. STEEL (SCH 80) OR RED BRASS (SCH 40) - END WITH THREADED COUPLING).
19. GALV. STEEL OR S.S. ADJUSTABLE FLANGE PIPE SUPPORTS (NUMBER REQUIRED = 3) (WITH STAINLESS STEEL ADHESIVE ANCHORS).
20. AMR TRANSMITTER.
21. 4' X 5' ACCESS DOOR - SEE STD. DETAIL.
22. PRECAST REINFORCED CONCRETE VAULT - 7' X 4' X 4' (MIN.) (L X W X D). SEE NOTES C AND D.
23. MINIMUM OF THREE STD. SOLID CONCRETE BRICK COURSES (OR PRECAST RISER) UNDER ACCESS DOOR FRAME - MAX. 2' JOINT REQUIRED AT FLAT TOP SECTION.
24. JOINT REINFORCED AT FLAT TOP SECTION.
25. 3/8" DIA. GALV. STEEL EYE BOLT (EPOXY ADHESIVE ANCHOR) - TYPICAL.
26. AWG #12 GAUGE SOLID COPPER TRACER WIRE - WITH BLUE INSULATION (30 MILS HDPE) TERMINATE WITH 24" EXCESS WIRE (COILED) AT EYE BOLT AND VALVE BOX (TYPICAL).
27. CAST IN PLACE CONCRETE SIDEWALK - BRICKWORK SHALL NOT EXTEND TO SURFACE. ACCESS DOOR FRAME SHALL REST ON SIDEWALK.
28. VALVE LOCK (FURNISHED BY CLTW) - LOCK VALVE CLOSED.
29. PLASTIC STEP - 12" O.C. VERTICAL SPACING.
30. ATTACH ENGRAVED LABEL, WITH PREMISE NUMBER, TO UNDERSIDE OF DOOR, NEAR THE LIFTING HANDLE.
31. CONCRETE THRUST BLOCKING - 3,600 PSI.



METER SIZE	A	B	C	D	K	L
4"	BERMAD = 37.5" BADGER = 37.375"	BERMAD = 8.4" BADGER = 10"	BERMAD = 7.7" BADGER = 10.625"	BERMAD = 28.8" BADGER = 31.25"	SMITH-BLAIR = 9" ROMAC = 8"	BERMAD = 18" BADGER = 14"