

NOTES:

- A. ALL FLANGE HARDWARE (BOLT/WASHER/NUT) SHALL BE STAINLESS STEEL - TYPE 304 WITH ANTI-SEIZE COMPOUND.
- B. ALL PIPE SHALL BE RESTRAINED JOINT DUCTILE IRON FROM TAP TO PROPERTY LINE VALVE.
- C. VAULT SHALL BE RATED FOR NCDOT HS-20 LOADING - SUBMIT SHOP DRAWINGS / P.E. SEALED FOR REVIEW.
- D. ALL CONCRETE SHALL BE MINIMUM 4,000 PSI COMPRESSIVE STRENGTH.
- E. DESIGN SHALL CONFORM TO ASTM C858 - SPECIFICATIONS FOR "UNDERGROUND PRECAST CONCRETE UTILITY STRUCTURE".
- F. STEEL REINFORCING DESIGN SHALL CONFORM TO ASTM C857.

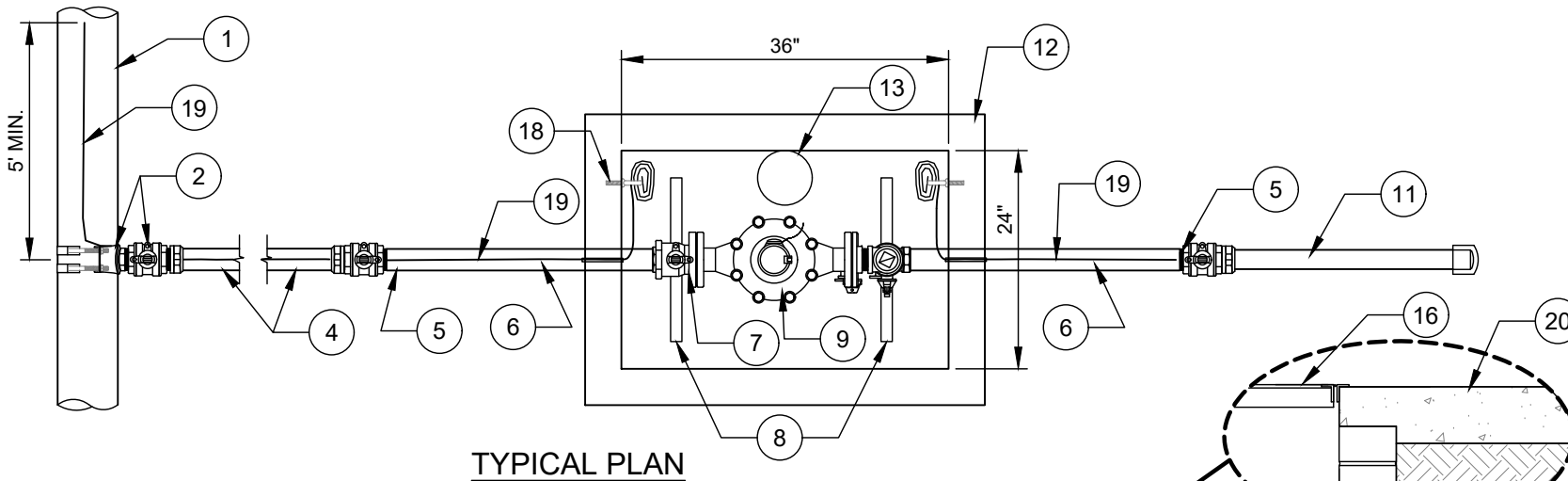
- G. REBARS SHALL BE GRADE 60 PER ASTM A615.
- H. WELDED WIRE FABRIC SHALL CONFORM TO ASTM A185.
- I. DIAGONAL REINFORCING SHALL BE ADDED AT ALL OPENINGS.
- J. PIPE PENETRATIONS SHALL BE SEALED WITH FLEXIBLE CONNECTORS (MANHOLE BOOTS) OR WITH 8" OF BRICK & MORTAR (AND 1/2-INCH THICK CONSTRUCTION EXPANSION MATERIAL). FRAME TO BE FLUSH WITH GROUND OR CONCRETE SIDEWALK, GROUND SHALL SLOPE AWAY FROM VAULT.
- K. ALL JOINTS SHALL BE MADE WATERTIGHT USING 2 RINGS OF BUTYL RUBBER JOINT MASTIC.
- L. PRECAST VAULT COMPONENTS SHALL HAVE MARKINGS PER ASTM C478 REQUIREMENTS.

NO. DESCRIPTION:

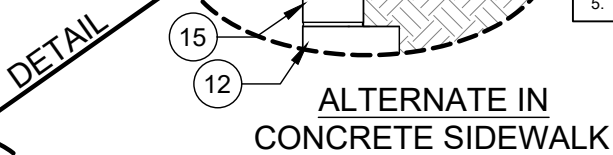
1. EXISTING OR PROPOSED WATER MAIN.
2. TAPPING SADDLE AND 2" BALL CORPORATION STOP WITH T-HEAD OPERATING NUT (CC TAPER THREAD X CTS COMPRESSION).
3. STANDARD VALVE BOX ASSEMBLY (TYP) - ALL VALVES (OMIT AT CORPORATION STOP ON SHORT SIDE SERVICE OR WHEN IN THE PAVEMENT).
4. 2" TYPE K COPPER TUBING.
5. 2" BALL VALVE (CTS COMPRESSION X FNPT).
6. 2" RED BRASS PIPE NIPPLE (L = 30" OR 36").
7. 2" BRASS METER SETTER ASSEMBLY - FORD #VB-77-95311-02, MUELLER #106B 242343, CAMBRIDGE #6020-7187F7-UUBS OR MCDONALD #720B718WTFF, NO SOLDER JOINTS PERMITTED.
8. 1" SCH 40 RED BRASS NIPPLE (L=18") X 2 EACH.
9. 2" WATER METER ASSEMBLY WITH AMR TRANSMITTER (BY CONTRACTOR).
10. 1" BYPASS BALL VALVE WITH LOCK WINGS - LOCK VALVE IN CLOSED POSITION (PERMANENT STUD LOCK - FURNISHED BY CLTW).
11. 2" TYPE K COPPER TUBING TAIL PIECE - L = 24" MIN. - BASS OR PVC TEMP. CAP.
12. PRECAST CONCRETE SERVICE VAULT (36" X 24" X 31").
13. 6" DIAMETER SUMP HOLE.
14. 6" COMPACTED #57 WASHED STONE.
15. MINIMUM OF (3) STANDARD SOLID CONCRETE BRICK COURSES UNDER ACCESS DOOR FRAME, MAXIMUM 2'.
16. 24" X 36" ACCESS DOOR - SEE STANDARD DETAIL.
17. AMR TRANSMITTER.
18. 3/8" DIAMETER GALV. STEEL EYE BOLT (ADHESIVE ANCHOR) - TYPICAL.
19. AWG #12 GAUGE SOLID COPPER HDPE INSTALLATION TRACER WIRE - WITH 30 MILS BLUE INSULATION TERMINATE WITH 24" EXCESS WIRE (COILED) AT EYE BOLT AND VALVE BOX (TYP).
20. CAST IN PLACE CONCRETE SIDEWALK - BRICK WORK SHALL NOT EXTEND TO SURFACE, ACCESS DOOR SHALL REST ON SIDEWALK.
21. ATTACH ENGRAVED LABEL, WITH PREMISE NUMBER, TO UNDERSIDE OF DOOR, NEAR THE LIFTING HANDLE.

NO. ALTERNATE DESCRIPTION:

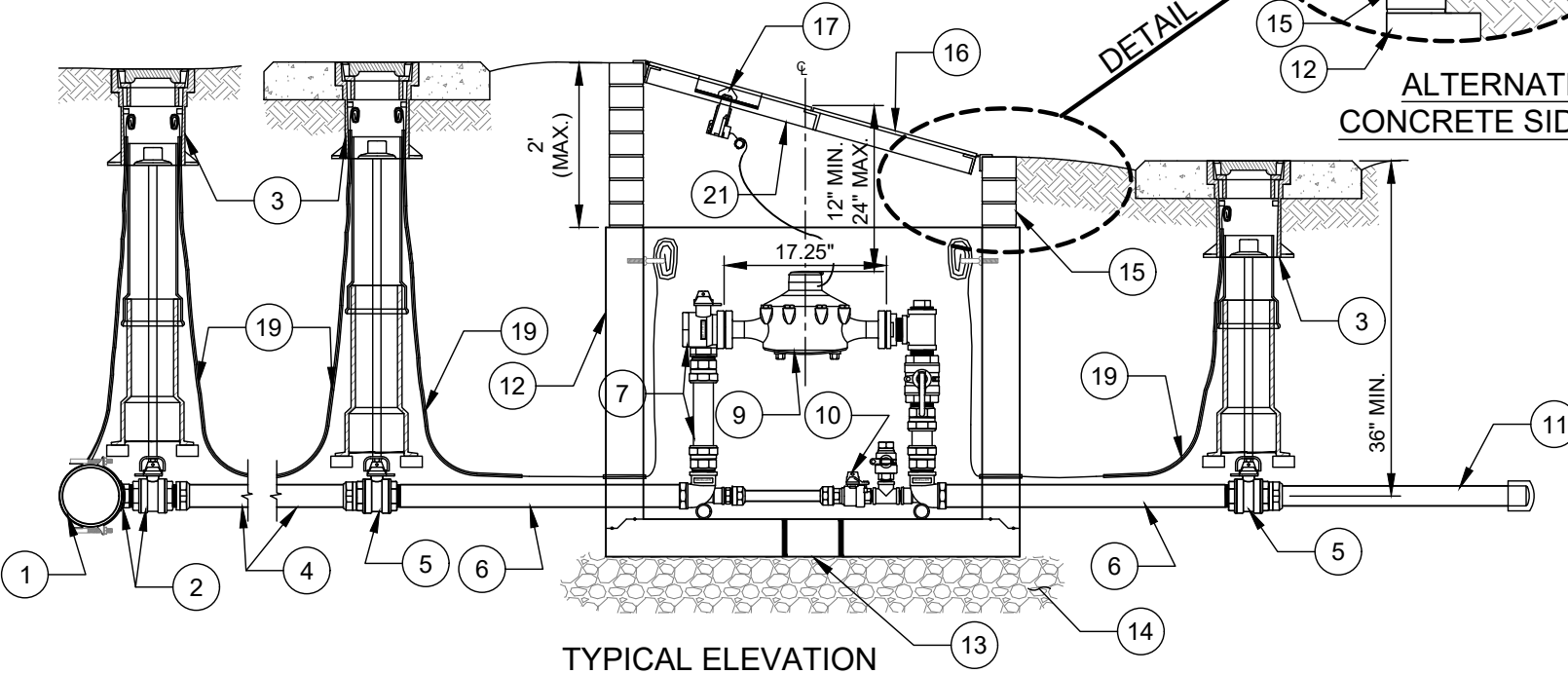
- WHEN USING SDR9 HDPE (IPS) WITH STAINLESS STEEL, BRASS, OR BRONZE MNPT ENDS, USE THE FOLLOWING PRODUCTS:
2. 2" BALL CORPORATION STOP (CC TAPER THREAD X FNPT).
 4. 2" SDR9 HDPE (POLY) - IPS PIPE (MNPT X MNPT).
 5. 2" BALL VALVE (FNPT X FNPT).



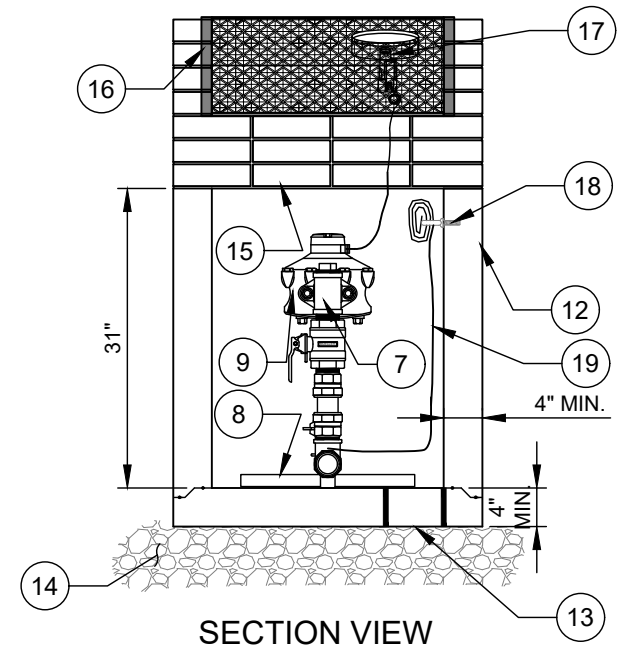
TYPICAL PLAN



ALTERNATE IN CONCRETE SIDEWALK



TYPICAL ELEVATION



SECTION VIEW