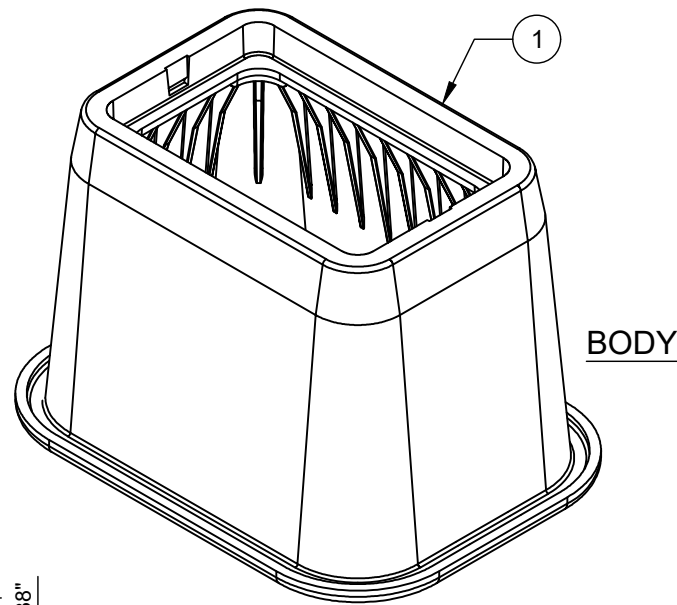
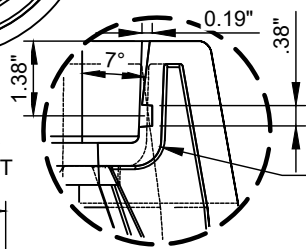


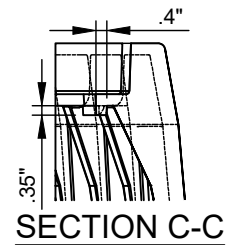
PLAN VIEW



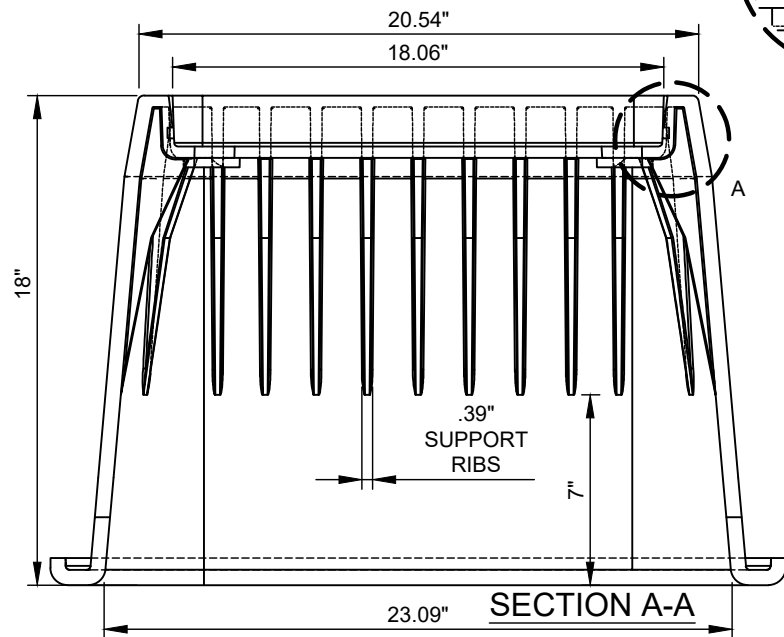
BODY



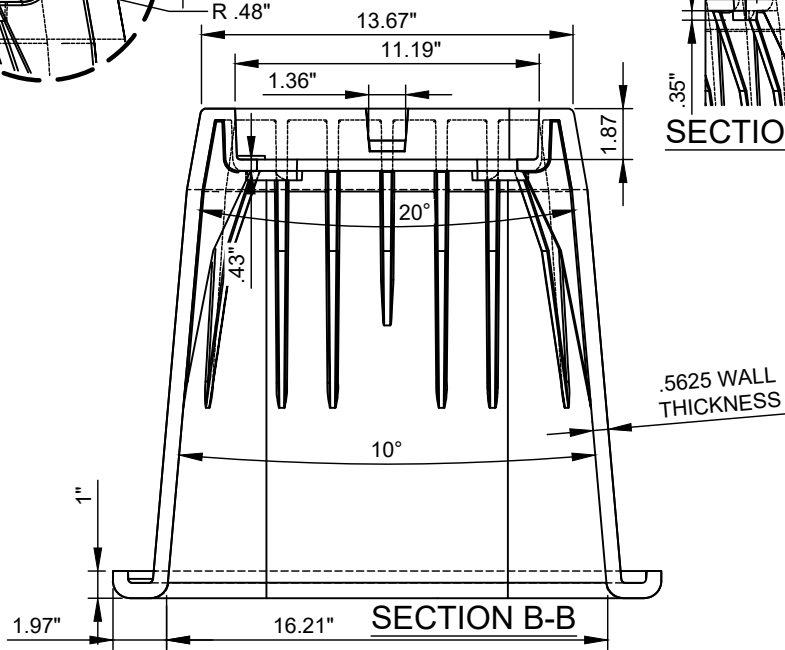
DETAIL A - SNAP SLOT



SECTION C-C



SECTION A-A



SECTION B-B

NO. DESCRIPTION:

- 1. MATERIAL SHALL BE HIGH DENSITY POLYETHYLENE.

NOTES:

- A. LOAD RATING = HS20.
- B. COLOR SHALL BE CHARLOTTE GRAY.
- C. SUPPLIER/MANUFACTURER: SOUTHEASTERN DISTRIBUTORS MODEL MB 17.5.

NO SCALE

VERSION 1.0

DATE 04/2024

DETAIL 15.2.4

METER BOX BODY WEIGHT= LBS.

LID WEIGHT - INCLUDING MAGNET - LBS.