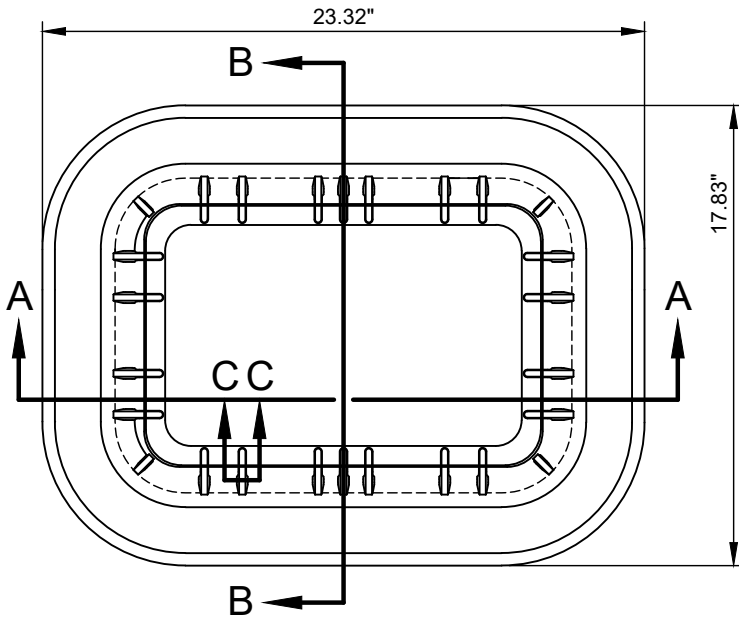
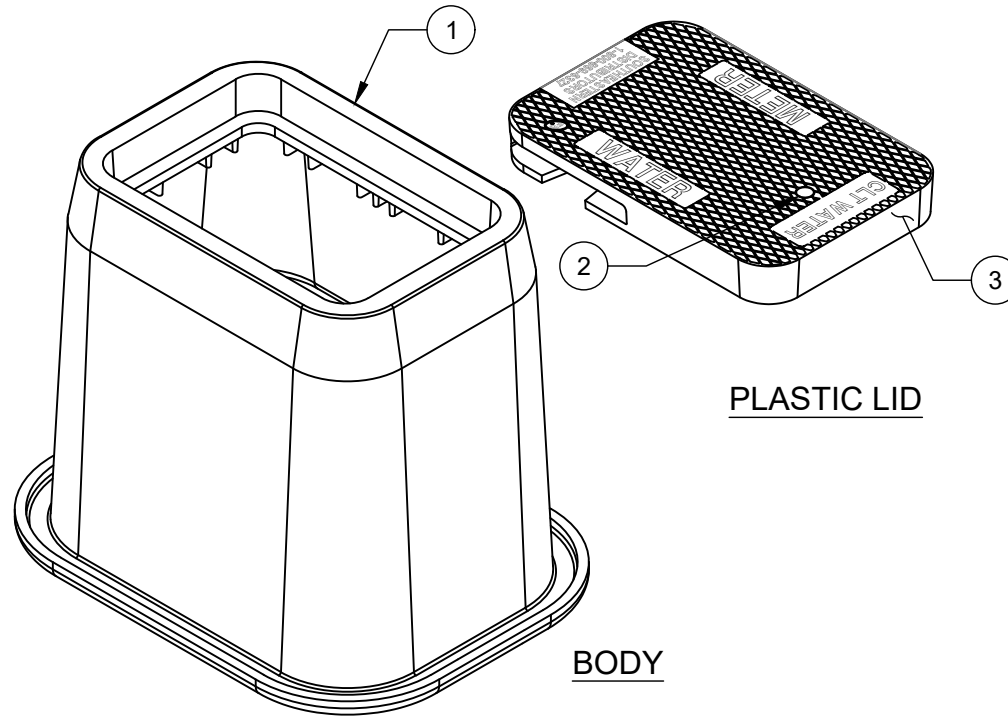


CLEANOUT/AIR RELEASE BOX



PLAN VIEW



PLASTIC LID

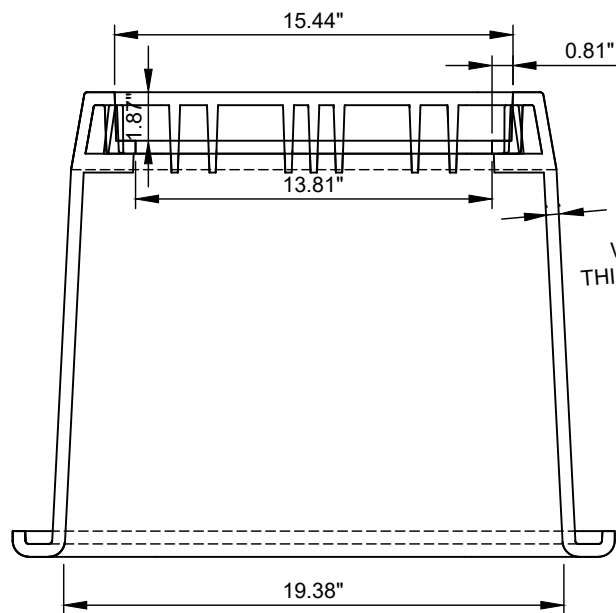
BODY

NO. DESCRIPTION:

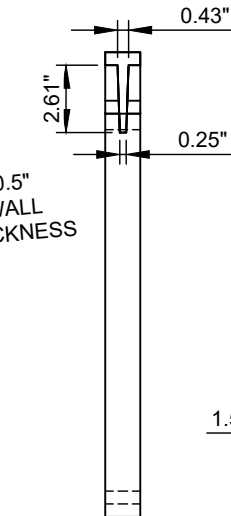
1. MATERIAL SHALL BE HIGH DENSITY POLYETHYLENE.
2. 0.69" DIAMETER PICK HOLE.
3. CHARLOTTE GRAY PLASTIC LID.
4. ITRON 40W MOUNT.
5. 1/8" X Ø3/4" RARE EARTH MAGNET.
6. IMPRINTED "M" UNDER MAGNET.

NOTES:

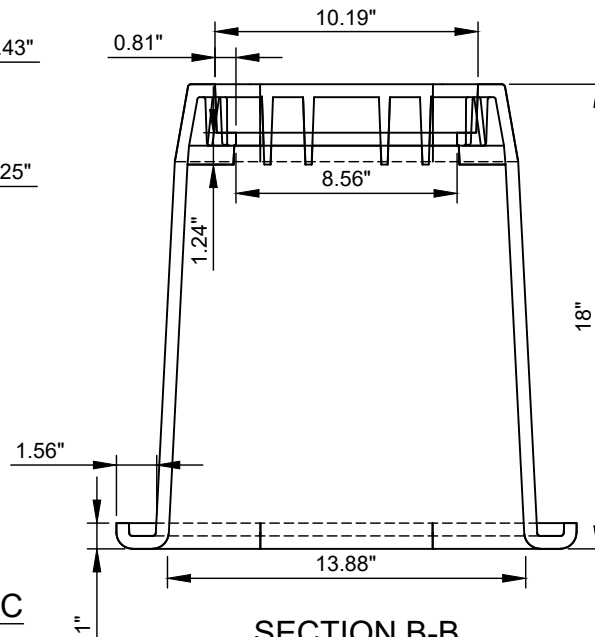
- A. MATERIAL SHALL BE HIGH DENSITY POLYETHYLENE.
- B. LOAD RATING = HS20.
- C. COLOR SHALL BE CHARLOTTE GRAY.
- D. SUPPLIER/MANUFACTURER: SOUTHEASTERN DISTRIBUTORS MODEL MB 16 - HD (ADDED HEIGHT).



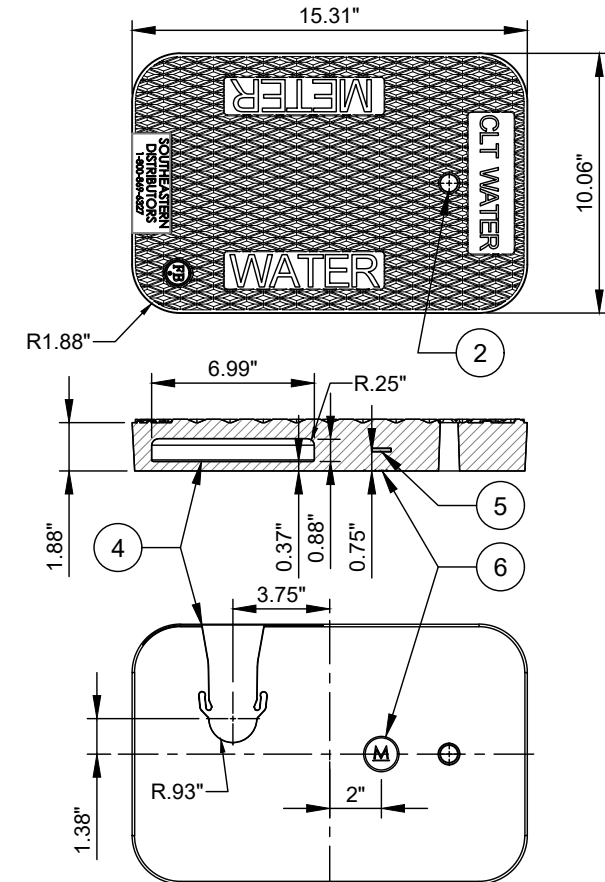
SECTION A-A



**SECTION C-C
RIB DETAIL**



SECTION B-B



BOTTOM VIEW

METER BOX BODY WEIGHT= 16-18 LBS.

LID WEIGHT - INCLUDING MAGNET - 6 LBS.