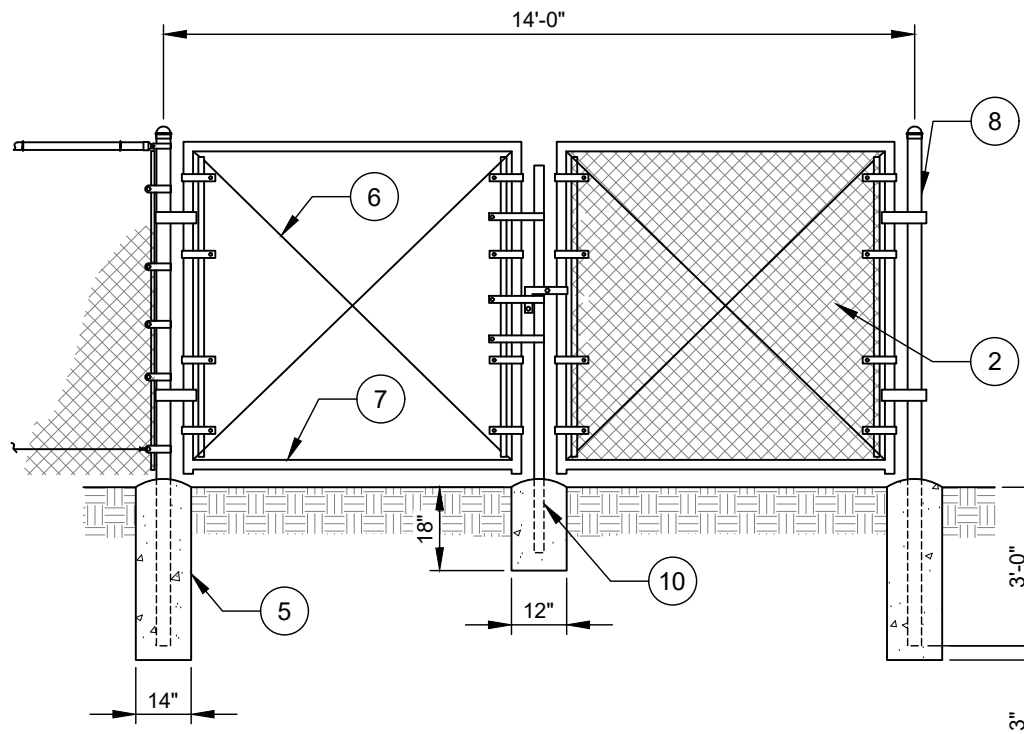


CHAIN LINK FENCE DETAIL
NOT TO SCALE



CHAIN LINK SWING GATE
NOT TO SCALE

NO. DESCRIPTION:

1. TOP RAIL.
2. CHAIN LINK.
3. LINE POST.
4. TENSION WIRE.
5. CONCRETE FOOTING, TYPICAL.
6. TRUSS ROD.
7. GATE FRAME.
8. GATE POST.
9. CORNER/END POST.
10. DROP ROD.

NOTES:

- A. FENCE SHALL BE BLACK VINYL COATED.
- B. FENCE HEIGHT AT PUMP STATION SITE IS 8 FEET. FENCE HEIGHT AT CONTAINMENT BASIN SITE IS 4 FEET.
- C. BARBED WIRE IS NOT REQUIRED AT CONTAINMENT BASIN SITE.