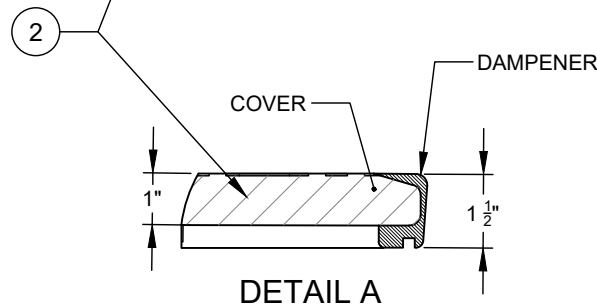
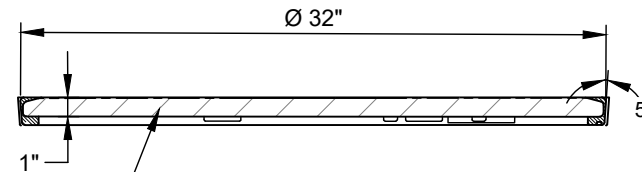
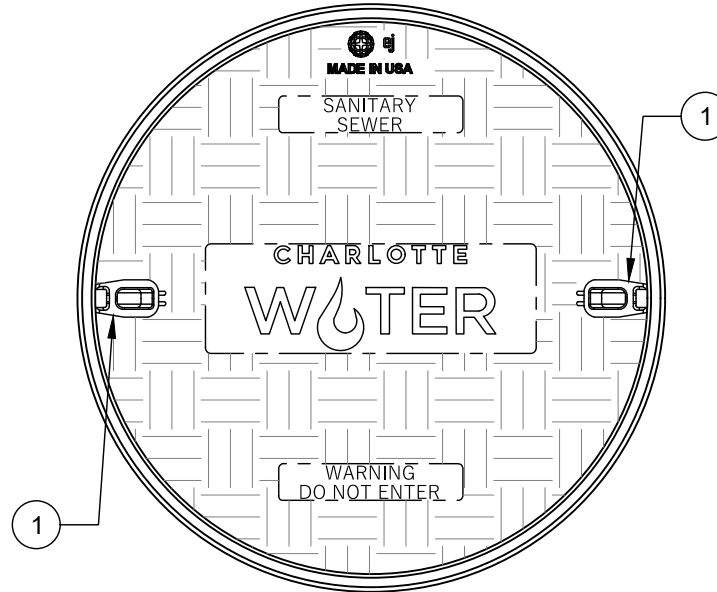


U.S. FOUNDRY & MFG. CORP.

TO BE DETERMINED

EJ (EJ GROUP, INC.)  
DUROSTREET COM3200 SERIES



COVER WEIGHT - 62 POUNDS

NO.	DESCRIPTION:
1.	GRADE 316 STAINLESS STEEL RECESSED PICK BAR.
2.	GLASS FIBER REINFORCED COMPOSITE COVER.

- NOTES:
- A. LOAD RATING - HEAVY DUTY.
  - B. MATERIAL - GLASS FIBER REINFORCED POLYMER (FRP) COMPOSITE.
  - C. COLOR - BLACK.
  - D. ADA COMPLIANT.
  - E. NOT TO BE USED IN TRAFFIC.
  - F. USE WITH TYPE E INVERTED FRAME - CAST IN.
  - G. COVER SHALL CONFORM TO DIMENSION AND WEIGHT REQUIREMENTS.
  - H. COVER SHALL NOT BE OUT OF ROUND.
  - I. COVER SHALL BE UV RESISTANT.

CHARLOTTE  
WATER

CHARLOTTE WATER  
A CITY OF CHARLOTTE DEPARTMENT  
STANDARD DETAILS  
SEWER LIFT STATION

TYPE 7 - FRP COMPOSITE MANHOLE COVER  
30-INCH DIAMETER (CLEAR OPENING)  
USE INSIDE FENCE AT SEWER PUMP STATIONS - ONLY

NO SCALE

VERSION  
1.0

DATE  
04/2024

DETAIL  
13.14