

U.S. FOUNDRY & MFG. CORP.

EJ (EJ GROUP, INC.)

NOTES:

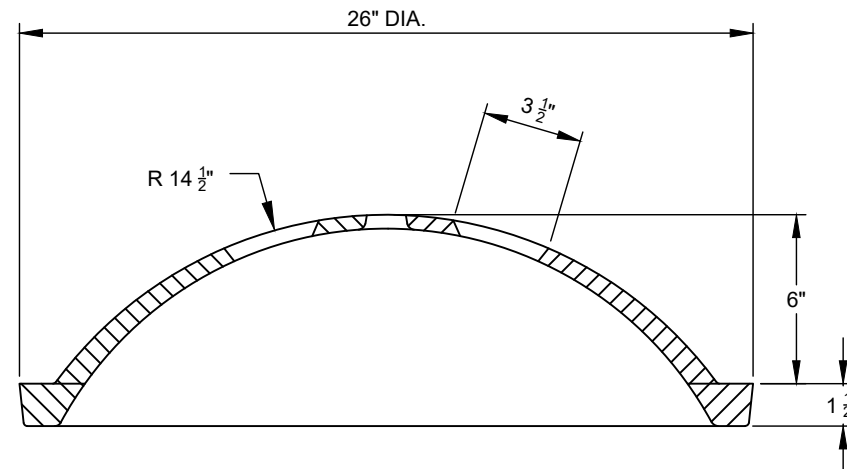
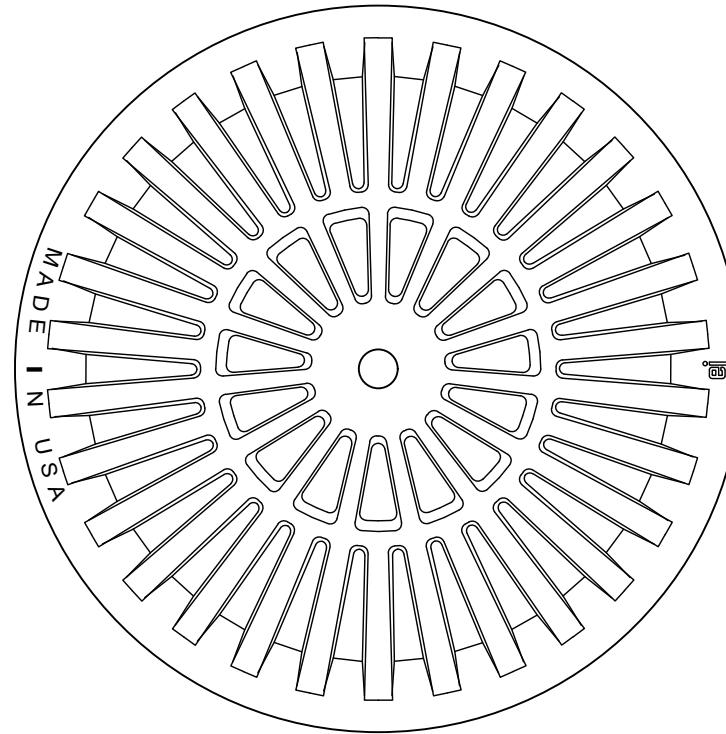
- A. LOAD RATING - HEAVY DUTY.
- B. MATERIAL - ASTM A48 - CLASS 35 GRAY IRON.
- C. COATING - DIPPED.
- D. COVER SHALL CONFORM TO DIMENSION AND WEIGHT REQUIREMENTS.
- E. COVER SHALL NOT BE OUT OF ROUND.
- F. OPEN AREA - 185 SQUARE INCHES.
- G. EJ PRODUCT NUMBER - 00104045.
- H. USE WITH TYPE A MANHOLE FRAME.
- I. WEIGHT - 88 POUNDS.

CHARLOTTE WATER

A CITY OF CHARLOTTE DEPARTMENT  
STANDARD DETAILS  
SEWER LIFT STATION

BEEHIVE GRATE  
26-INCHES DIAMETER  
6-INCHES TALL

TO BE DETERMINED



GRATE SECTION

NO SCALE

VERSION 1.0

DATE 04/2024

DETAIL 13.13