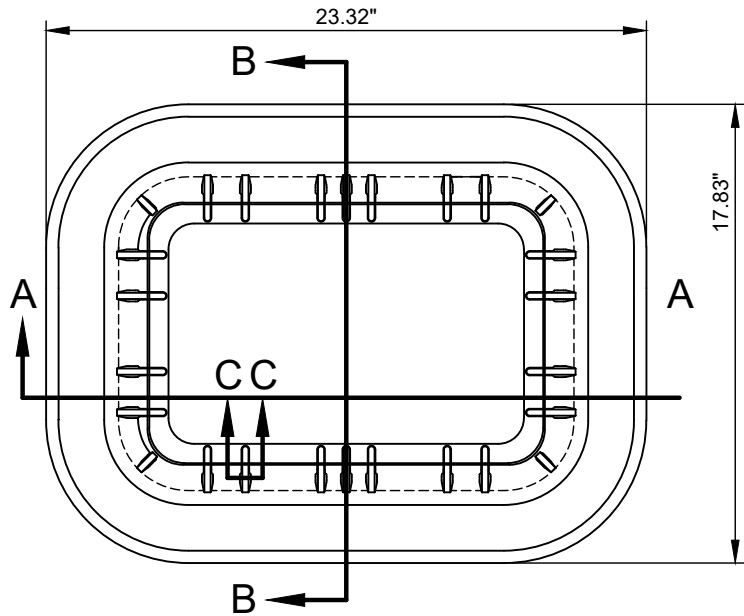
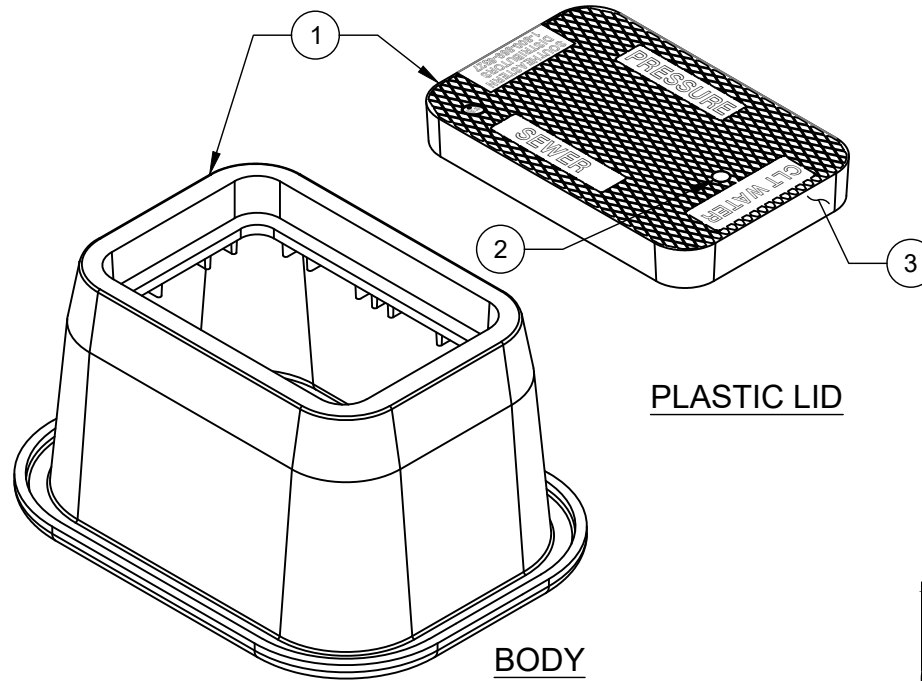


**CLEANOUT/MANUAL AIR RELEASE BOX**



**PLAN VIEW**

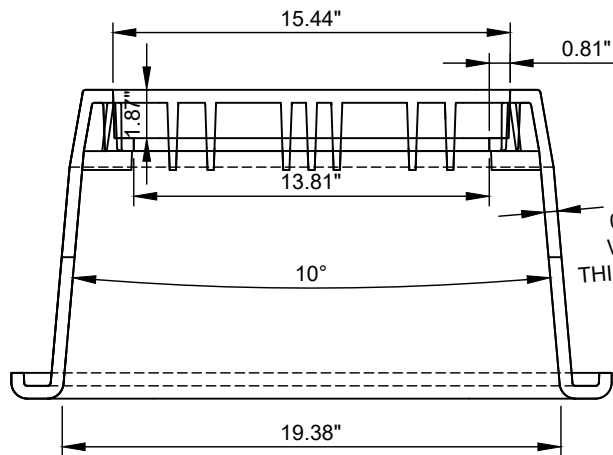


**PLASTIC LID**

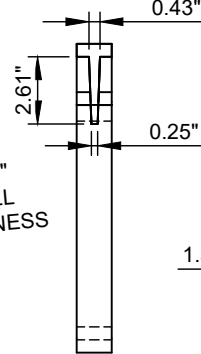
**BODY**

- | NO. | DESCRIPTION:                                 |
|-----|--|
| 1.  | MATERIAL SHALL BE HIGH DENSITY POLYETHYLENE. |
| 2.  | 3/4" DIAMETER PICK HOLE.                     |
| 3.  | GREEN PLASTIC LID.                           |
| 4.  | 1/8" X 3/4 DIAMETER" RARE EARTH MAGNET.      |
| 5.  | IMPRINTED "M" UNDER MAGNET.                  |

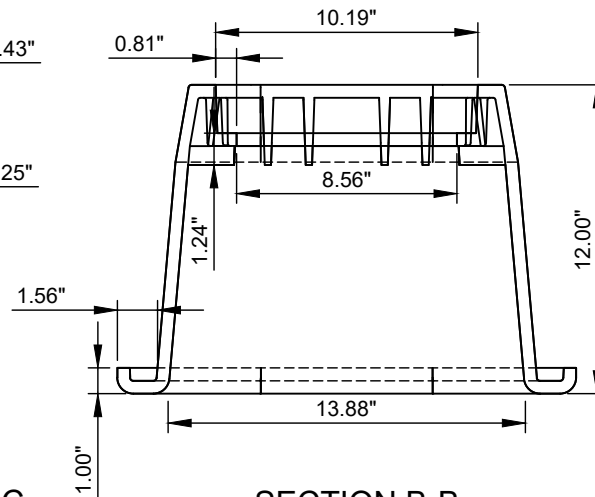
- NOTES:**
- A. LOAD RATING = HS20.
  - B. COLOR SHALL BE CHARLOTTE GREEN.
  - C. SUPPLIER/MANUFACTURER: SOUTHEASTERN DISTRIBUTORS MODEL MB 16 - HD.



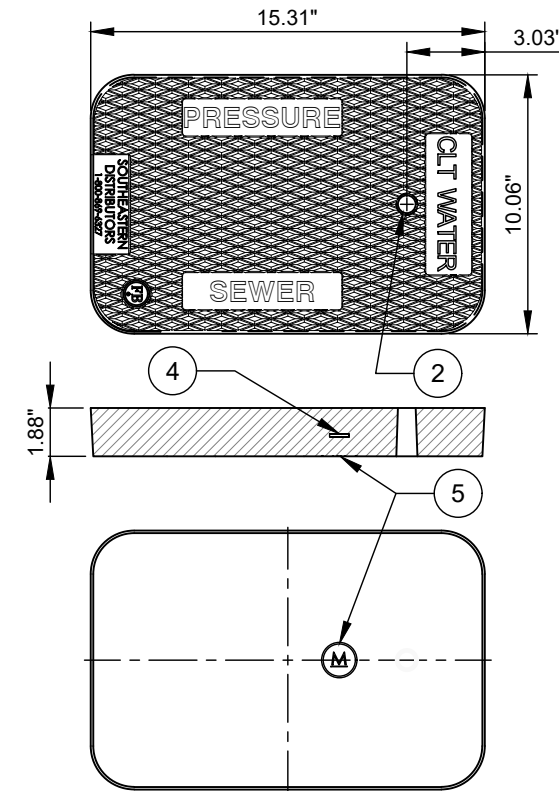
**SECTION A-A**



**SECTION C-C  
RIB DETAIL**



**SECTION B-B**



**BOTTOM VIEW**

METER BOX BODY WEIGHT= 13.5 LBS.

LID WEIGHT - INCLUDING MAGNET - 6 LBS.