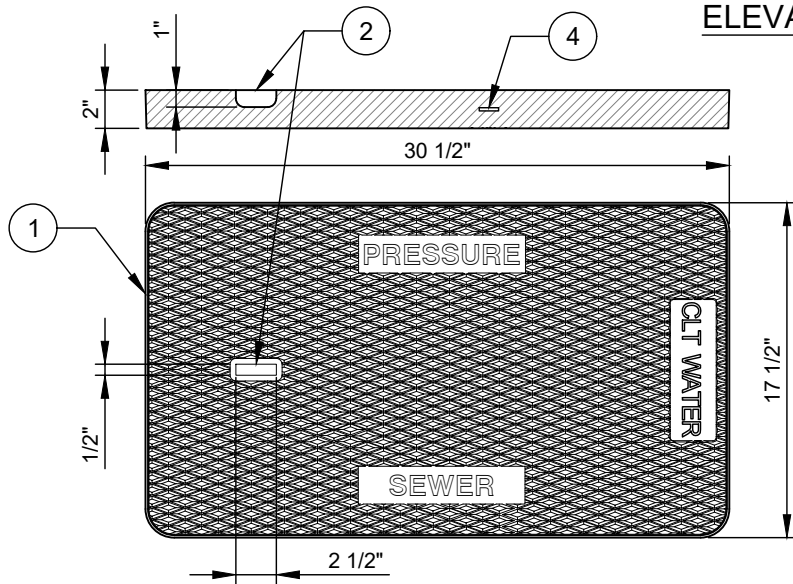
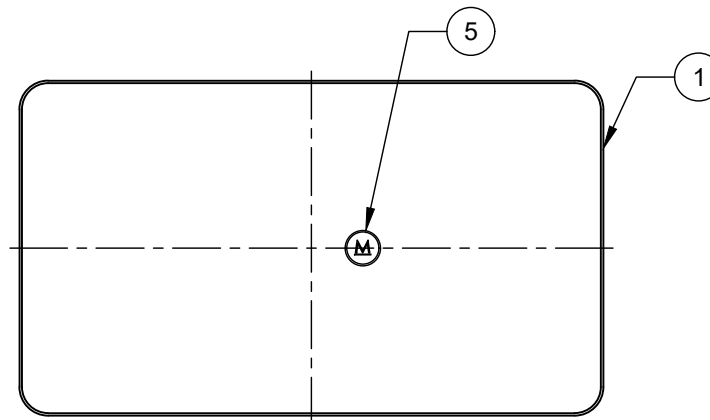


ELEVATION VIEW



COVER PLAN VIEW



BOTTOM VIEW

NO. DESCRIPTION:

1. GREEN VIRGIN PLASTIC SERVICE LID.
2. 3/4" DIAMETER PICK HOLE.
3. GREEN VIRGIN PLASTIC SERVICE BOX.
4. 1/8" X 3/4" DIAMETER RARE EARTH MAGNET.
5. IMPRINTED "M" UNDER MAGNET.

NOTES

- A. MATERIAL SHALL BE HIGH DENSITY POLYETHYLENE.
- B. LOAD RATING = HS20.
- C. COLOR SHALL BE CHARLOTTE GREEN.
- D. SUPPLIER/MANUFACTURER: SOUTHEASTERN DISTRIBUTORS MODEL MB 19 - HD.

METER BOX BODY WEIGHT= ##.# LBS.

LID WEIGHT - INCLUDING MAGNET - # LBS.