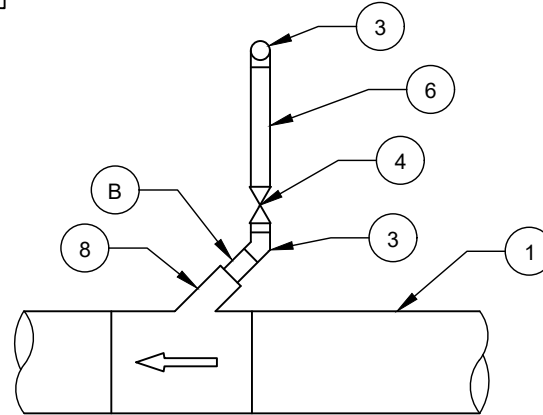
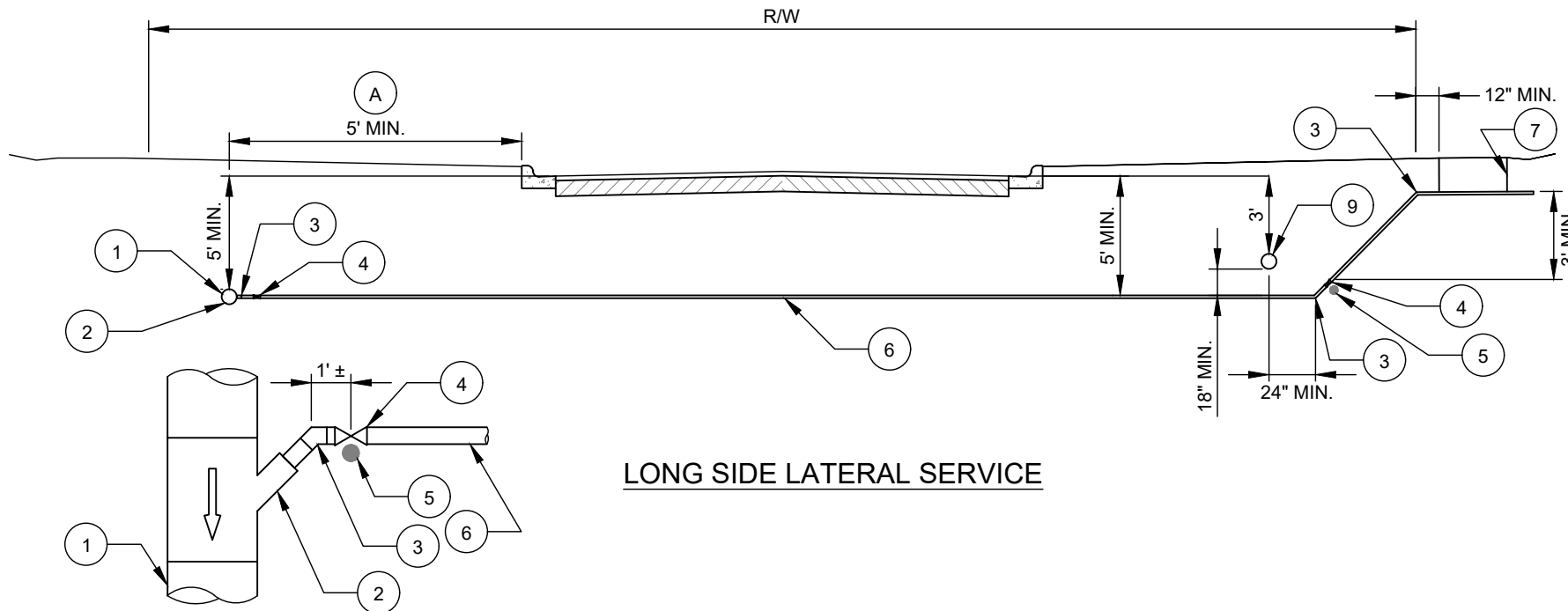


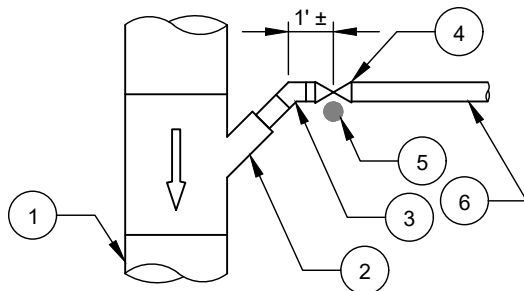
SHORT SIDE LATERAL SERVICE



SECTION A-A



LONG SIDE LATERAL SERVICE



PLAN VIEW

**NO. DESCRIPTION:**

1. LOW PRESSURE SEWER MAIN (SDR 21 PVC).
2. HORIZONTAL SERVICE WYE WITH REDUCING BUSHING (SCH 80 PVC).
3. 45° BEND (SCH 80 PVC).
4. 1.5" TRUE UNION PVC BALL VALVE (NO VALVE BOX ASSEMBLY).
5. PVC ENCAPSULATED MAGNET.
6. 1 1/2" SERVICE PIPE (SCH 80 PVC).
7. SERVICE CONNECTION BOX.
8. VERTICAL SERVICE WYE WITH REDUCING BUSHING (SCH 80 PVC).
9. WATER MAIN.

**NOTES:**

- A. MINIMUM 5' FROM BOC AND OUTSIDE PLANTING STRIP. MUST MEET THE MOST STRINGENT GOVERNING AUTHORITY CRITERIA FOR MINIMUM SEPARATION FROM ALL OTHER UTILITIES.
- B. ROTATE VERTICAL WYE AND 45° BEND FOR HORIZONTAL AND VERTICAL ALIGNMENT.
- C. TRACER WIRE NOT SHOWN FOR CLARITY. FOR TRACER WIRE INSTALLATION, REFER TO APPROPRIATE STANDARD DETAIL.