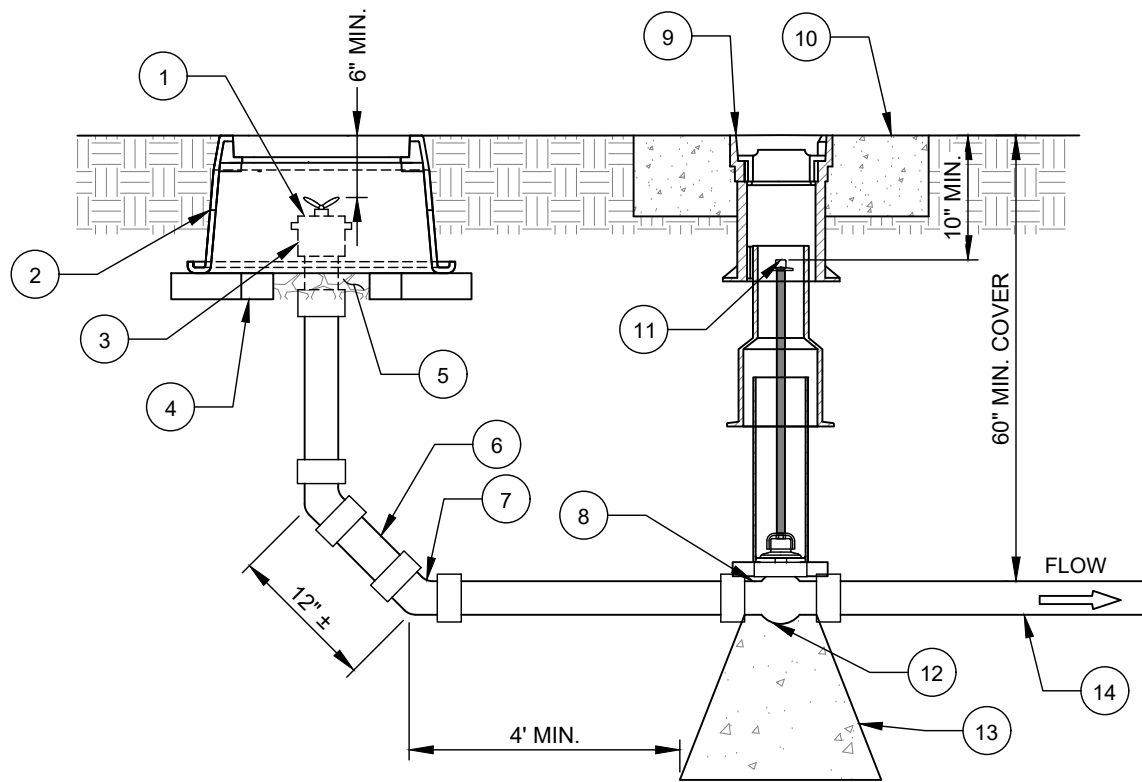


PLAN VIEW



ELEVATION VIEW

NO. DESCRIPTION:

1. 1" QUICK CONNECT WITH PLUG AND 2 S.S. COTTER PINS.
2. CLEANOUT BOX (PLASTIC).
3. 2" X 1" REDUCING BUSHING (SCH 80 PVC) WITH THREADED OUTLET.
4. SOLID STANDARD CONCRETE BRICK DIAGONAL AT CORNER.
5. 6" MIN. OF #57 STONE BASE, SUITABLE BEARING CAPACITY AS APPROVED BY GEOTECHNICAL ENGINEER.
6. 2" CLEANOUT PIPE (SCH 80 PVC).
7. 45° BEND (SCH 80 PVC) WITH REDUCING BUSHING AS REQUIRED.
8. POLYETHYLENE WRAP, 4 MILS EACH, TWO LAYERS, 12" EACH SIDE OF VALVE BODY.
9. VALVE BOX ASSEMBLY, PER CLTW STANDARD DETAIL (TYP. ALL VALVES).
10. 24" PRECAST CONCRETE DONUT.
11. EXTENSION STEM WITH 2" SQUARE OPERATING NUT, 10" BELOW GRADE (TYP. ALL VALVES).
12. IRON BODY PLUG VALVE (2" - WITH THREADED BY SLIP JOINT DI ADAPTOR AND KNUCKLE JOINT RESTRAINT) (3 & 4" - MJ ENDS WITH WEDGE ACTION THRUST RESTRAINT GLAND AND IPS TRANSITION GASKETS).
13. CAST IN PLACE CONCRETE SUPPORT/THRUST BLOCK.
14. LOW PRESSURE SEWER PIPE (SDR 21 PVC).

NOTE:

- A. TRACER WIRE NOT SHOWN FOR CLARITY. FOR TRACER WIRE INSTALLATION, REFER TO APPROPRIATE STANDARD DETAIL.
- B. 2" DUCTILE IRON PIPE ADAPTOR AND KNUCKLE JOINT RESTRAINT SHALL BE FUSION BONDED EPOXY COATED AND LINED, BY HARRINGTON CORPORATION (HARCO) OR APPROVED EQUAL.