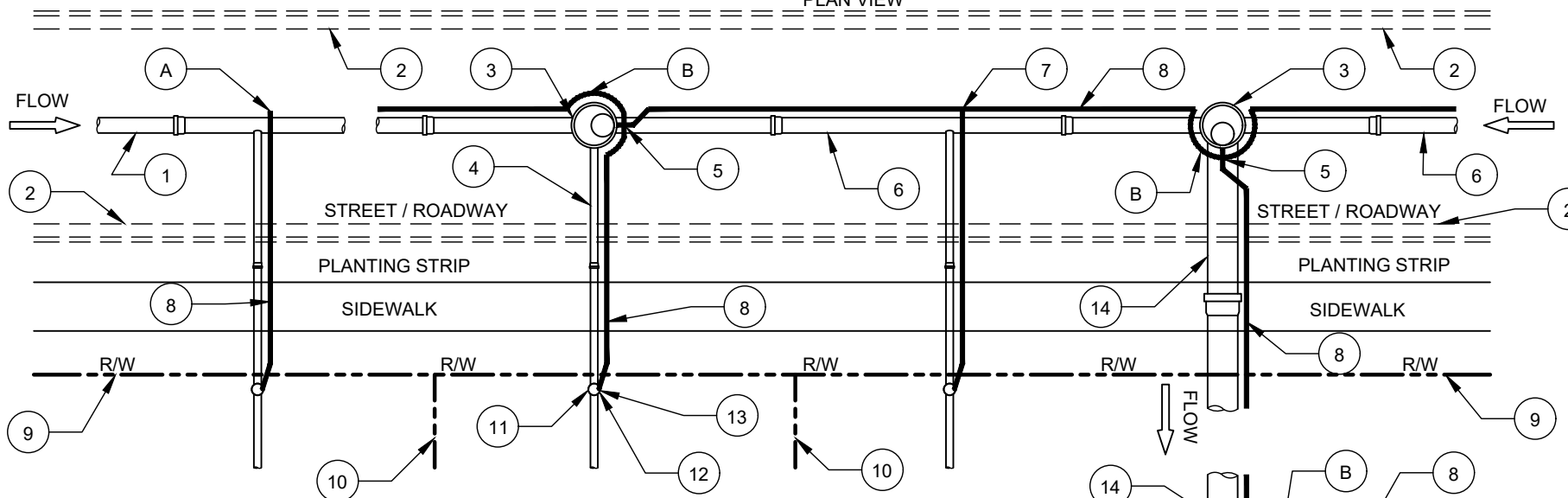
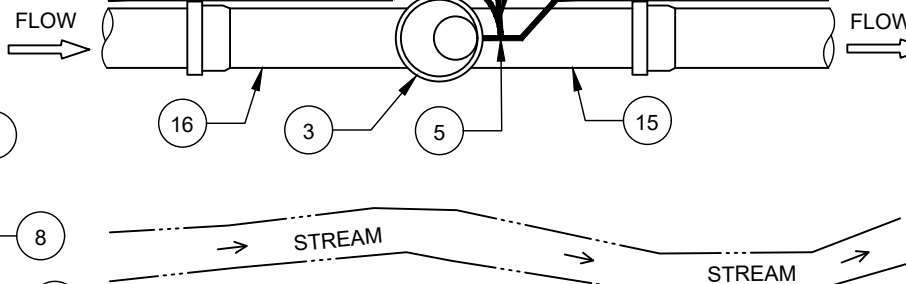
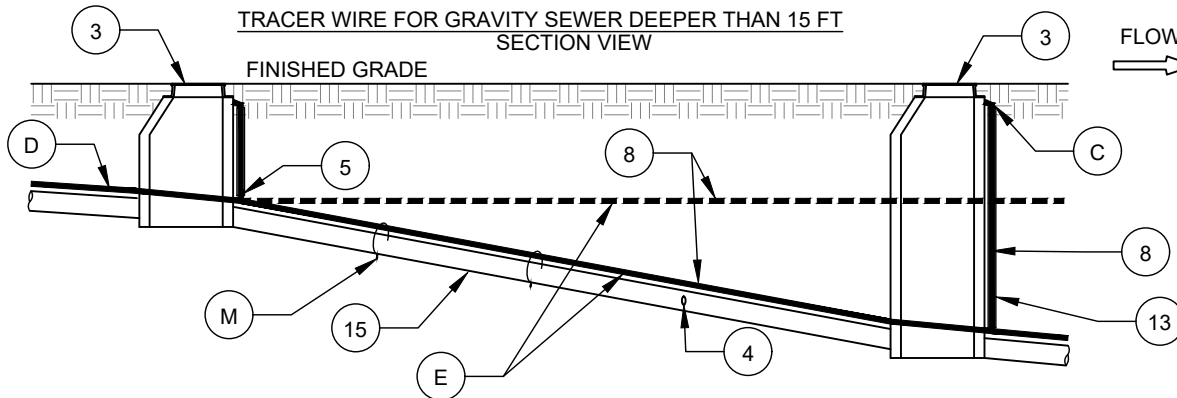


STREET VIEW - GRAVITY SEWER TRACER WIRE

PLAN VIEW



TRACER WIRE FOR GRAVITY SEWER DEEPER THAN 15 FT
SECTION VIEW



NO.	DESCRIPTION:
1.	EXISTING SEWER MAIN LINE WITHOUT TRACER WIRE.
2.	CURB.
3.	SEWER MANHOLE (TYP.).
4.	SEWER SERVICE LATERAL (TYP.).
5.	NO SPLICE.
6.	SEWER MAIN LINE.
7.	SPLICE (SEE CLTW STD. DETAIL).
8.	#12 GAUGE SOLID COPPER TRACER WIRE WITH 30 MILS GREEN HDPE INSULATION (TYP.).
9.	R/W / EASEMENT LINE (TYP.).
10.	PROPERTY / EASEMENT LINE.
11.	CLEANOUT (TYP.).
12.	VALVE BOX ASSEMBLY (TYP.) (SEE CLTW STD. DETAIL).
13.	CONDUIT FOR VERTICAL WIRE
14.	SEWER TRUNK LINE.
15.	SEWER PIPE.
16.	6" WIDE GREEN SEWER WARNING TAPE.

NOTES:

- A. FOR NEW SERVICE ON EXISTING MAIN WHERE NO TRACER WIRE IS LOCATED ON SEWER MAIN, PLACE TRACER WIRE END AT BOTTOM EDGE OF TRENCH AWAY FROM MAIN AND LATERAL.
- B. WRAP TRACER WIRE AROUND OUTSIDE OF MANHOLE (SEE CLTW STD. DETAIL).
- C. SEE MANHOLE CONNECTION DETAIL.
- D. GRAVITY SEWER MAIN LESS THAN 15' DEPTH TRACING WIRE SHALL BE ATTACHED TO PIPE.
- E. GRAVITY SEWER MAIN AND LATERAL GREATER THAN 15' DEPTH. TRACER WIRE SHALL BE ATTACHED TO PIPE AND PLACED AT A DEPTH OF 4' BELOW GROUND DIRECTLY ABOVE SEWER PIPE.
- F. TRACER WIRE SHOWN AWAY FROM PIPE FOR CLARITY. TRACER WIRE SHALL BE INSTALLED IMMEDIATELY ADJACENT TO THE SEWER PIPE. TRACER WIRE SHALL BE FASTENED TO THE PIPE WITH ZIP TIES OR DUCT TAPE AT 10' INTERVALS.
- G. TRACER WIRE SHALL BE SOLID COPPER #12 GAUGE WITH 30 MILS GREEN HDPE INSULATION.
- H. TRACER WIRE SHALL BE CONTINUOUS FROM MANHOLE TO MANHOLE WITHOUT IN-LINE SPLICES EXCEPT WHERE REQUIRED FOR SEWER SERVICE LATERALS.
- I. SPLICED CONNECTIONS SHALL BE ALLOWED BETWEEN THE MAIN LINE TRACER WIRE AND THE SERVICE LATERAL TRACER WIRE.
- J. TRACER WIRE SHALL BE PROTECTED FROM DAMAGE DURING THE EXECUTION OF THE WORK. NO BREAKS OR CUTS IN THE TRACER WIRE OR INSULATION SHALL BE PERMITTED.
- K. PRIOR TO ACCEPTANCE (POST PUNCH LIST) EACH WIRE SEGMENT SHALL PASS A CONDUCTIVITY TEST, WITNESSED BY THE ENGINEER OR ENGINEER'S REPRESENTATIVE.
- L. FOR INSTALLING A NEW SERVICE LINE ON AN EXISTING MAIN WITH TRACER WIRE, INCLUDE 2' OF SLACK IN NEW TRACER WIRE AT THE SPLICE. THE CLEANOUT SHALL SERVE AS THE TEST PORT.

TRENCH DETAIL
PROFILE VIEW

