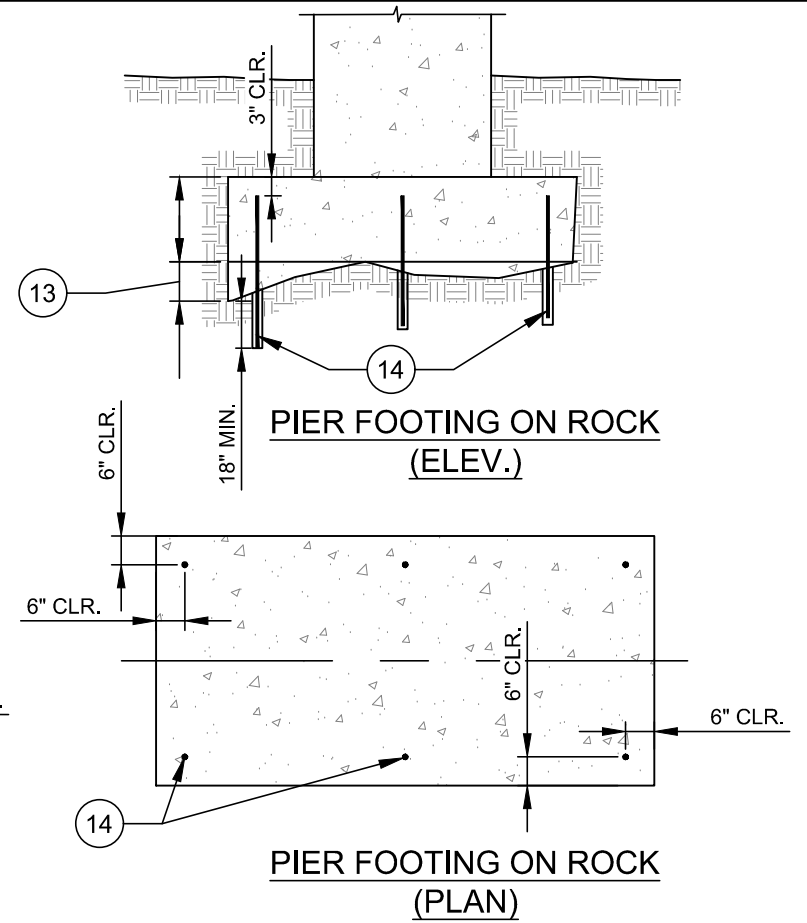
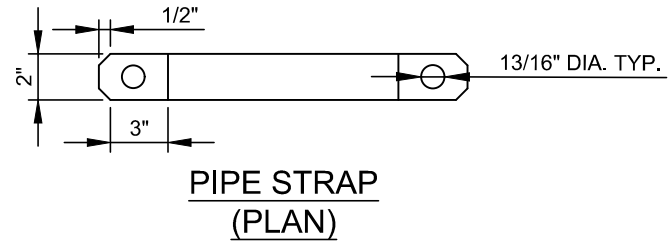
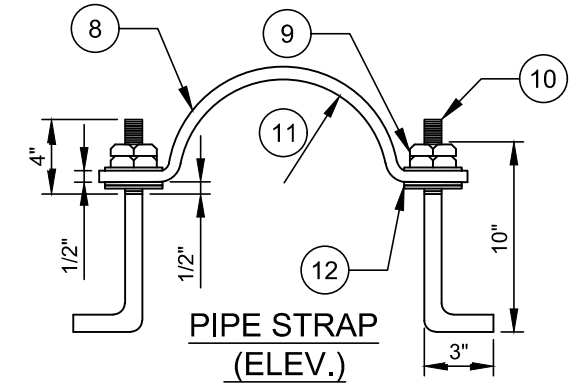


PIPE SIZE	PIER WIDTH FOR 90° CROSSING
15"	3'-0"
18"	3'-6"
24"	4'-0"
30"	4'-9"
36"	5'-6"
42"	6'-6"
48"	7'-0"



- NOTES:**
- A. MAT STEEL FOR FOOTING SHALL BE TIED TO DOWELS.
  - B. ALL CONCRETE TO BE 3,600 PSI.
  - C. MAXIMUM HEIGHT REINFORCED CONCRETE PIERS TO BE 20'.
  - D. FOOTING THICKNESS SAME AS BASE THICKNESS OF PIER, BUT NOT TO EXCEED 2'.
  - E. PIERS TO BE BUILT WITH LONG SIDE PARALLEL TO CREEK FLOW.
  - F. PIER TO BE CENTERED ON FOOTING WHEN PIPE IS PARALLEL TO CREEK.
  - G. PIPE TO BE SET 1/2 IN PIER AND 1/2 PROTRUDING ABOVE PIER. WHEN PIERS ARE PLACED PARALLEL TO THE FLOW OF THE CREEK AND THE PIPE IS ON A SKEW WITH THE PIER, HOLDING STRAPS MAY STILL BE PLACED AT RIGHT ANGLES TO THE PIPE, PROVIDING THE ANCHOR BOLTS ARE NOT SET WITH A CLEARANCE OF LESS THAN 2" TO THE SURFACE OF THE PIER.
  - H. NO REINFORCING STEEL TO BE PLACED WITH A CLEARANCE OF LESS THAN 3" TO THE SURFACE OF THE PIER.
  - I. ANCHOR BOLTS, NUTS, WASHERS, AND STRAPS SHALL BE STAINLESS STEEL.
  - J. STAINLESS STEEL ANTI-SEIZE COMPOUND SHALL BE LIBERALLY APPLIED TO THE THREADS.
  - K. FOR PIPES 24" AND LARGER, USE 1 INCH DIAMETER BOLTS AND 1 1/16" DIAMETER HOLE IN STRAP.
  - L. HOLES TO BE DRILLED IN STRAP.
  - M. PROVIDE MULTIPLE WASHERS UNDER STRAP SUCH THAT STRAP IS PULLED DOWN TIGHT ON THE PIPE AND PIER.

- | NO. | DESCRIPTION:  |
|-----|---|
| 1.  | 1 INCH CHAMFER ALL CORNERS.   |
| 2.  | PIPE STRAPS FOR PIERS AND BOLT (ELEVATION AND PLAN VIEW ON THIS SHEET).   |
| 3.  | #3 REBAR TIES @ 12" O.C.  |
| 4.  | #6 REBAR @ 10" O.C.   |
| 5.  | LAP REBAR 24" IF SPLICE IS REQUIRED.  |
| 6.  | TAPER 1 INCH PER FOOT (TOWARD CREEK).   |
| 7.  | #6 REBAR @ 12" O.C.   |
| 8.  | 2" x 1/2" STRAP - 304 S.S.  |
| 9.  | DOUBLE JAM NUT 316 STAINLESS STEEL.   |
| 10. | 3/4" DIAMETER ANCHOR BOLT - 316 S.S.  |
| 11. | R=1/2 OUTSIDE DIAMETER PIPE BARREL.   |
| 12. | PROVIDE MULTIPLE 316 S.S. WASHERS UNDER STRAP SUCH THAT STRAP IS PULLED DOWN TIGHT ON PIPE AND PIER.                                  |
| 13. | CONCRETE FOR LEVELING MAY BE POURED WITH FOOTING.   |
| 14. | #8 REBAR DOWELS, TYPICAL. GROUT DOWELS WITH NON-SHRINK GROUT IN 2" DIAMETER HOLES. HOLES TO BE CLEANED WITH WATER AND COMPRESSED AIR. |