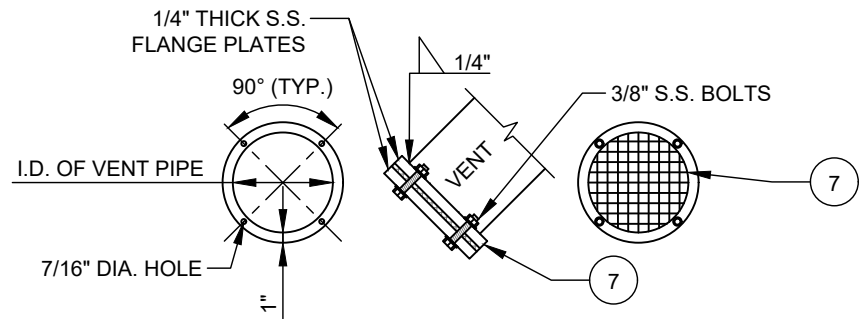


SECTION A-A



BOLT ON BIRD SCREEN

NO. DESCRIPTION:

1. BOLT ON BIRD SCREEN. SEE DETAIL THIS SHEET.
2. 5" DIAMETER STEEL PIPE.
3. WATERTIGHT FRAME AND COVER (BOLTED DOWN).
4. FIBERGLASS OR POLYMER CONCRETE MANHOLE.
5. 3,600 P.S.I. CONCRETE FLUSH WITH GRADE.
6. STEEL PLUG.
7. TYPE 316 STAINLESS STEEL BIRD SCREEN BOLTED BETWEEN TWO STAINLESS STEEL PLATES AND WELDED TO VENT PIPE AS SHOWN. USE ALL TYPE 316 STAINLESS STEEL BOLTS, NUTS AND WASHERS.

NOTES:

- A. 2' ABOVE 100 YEAR FLOOD ELEVATION OR 6' ABOVE FRAME (WHICHEVER IS GREATER).
- B. VENT SHALL BE ON STRAIGHT WALL SIDE AND POINT DOWNSTREAM.
- C. VENT SHALL BE PAINTED PER SPECS. VENT SHALL HAVE FACTORY APPLIED INTERIOR LINING.
- D. STAINLESS STEEL BIRD SCREEN BOLTED BETWEEN TWO STAINLESS STEEL PLATES AND WELDED TO VENT PIPE AS SHOWN. USE ALL STAINLESS STEEL BOLTS, NUTS, AND WASHERS. SCREEN SHALL BE SIZED TO FIT AND INSTALLED SECURELY INSIDE THE HUB OR COUPLING OF THE VENT PIPE. SCREEN SHALL BE CONSTRUCTED OF 1/4" STAINLESS STEEL MESH BIRD SCREEN (WIRE DIAMETER 0.047").

NO SCALE

VERSION
1.0

DATE
04/2024

DETAIL
11.2.11