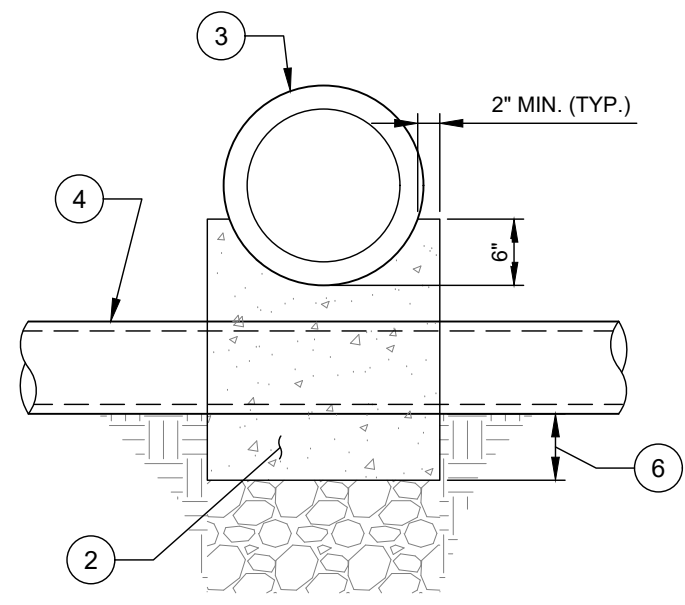
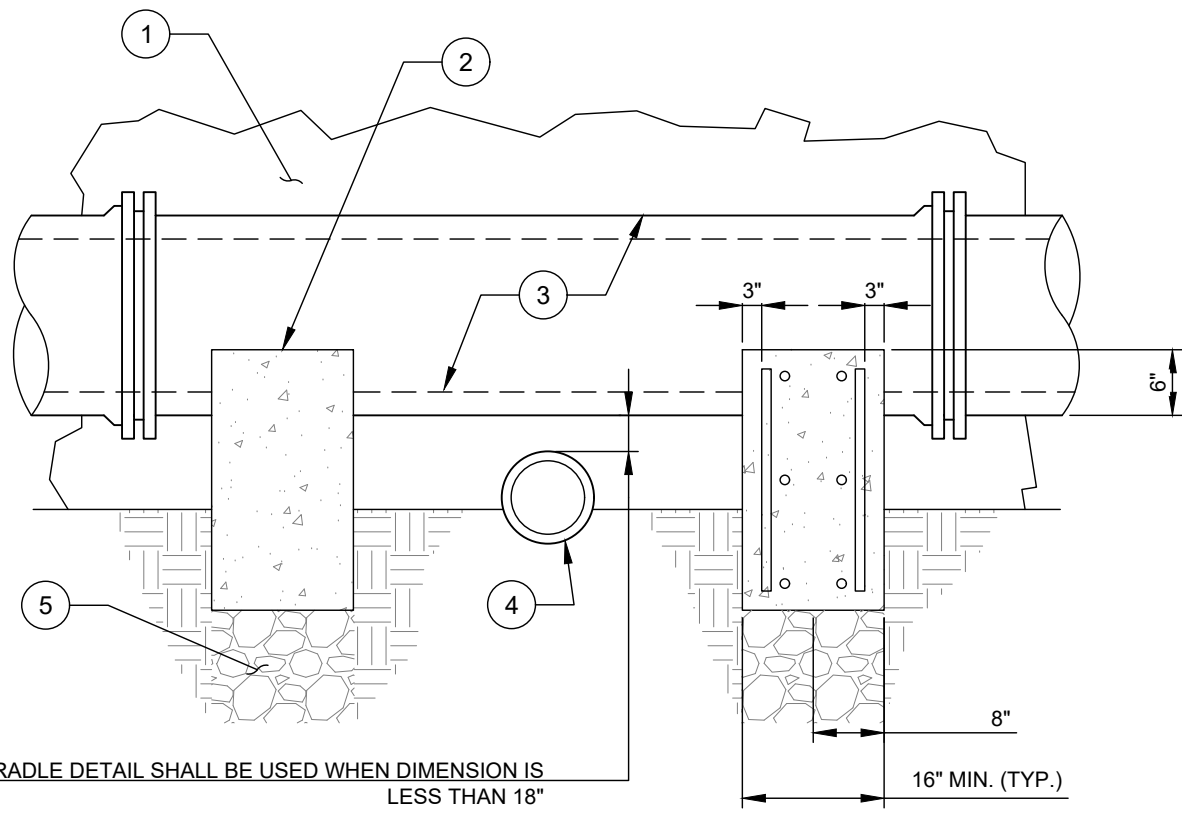


NO.	DESCRIPTION:
1.	CONTROLLED DENSITY FILL SURROUNDING BOT PIPES, MIN. 6" THICK.
2.	PROPOSED CONCRETE CRADLE NEAR JOINT (EACH SIDE). MINIMUM REBAR REINFORCEMENT (#4 REBAR). #4 BARS AT 12" CENTER-TO-CENTER EACH WAY, TYPICAL. 3" CLEAR FROM FACE OF CONCRETE.
3.	PIPE (ABOVE).
4.	PIPE (BELOW).
5.	MIN. 8" COMPACTED STONE BEDDING (#57).
6.	BOTTOM OF CRADLE TO BE AT LEAST 6" BELOW THE BOTTOM PIPE.



THIS CONCRETE CRADLE DETAIL SHALL BE USED WHEN DIMENSION IS LESS THAN 18"