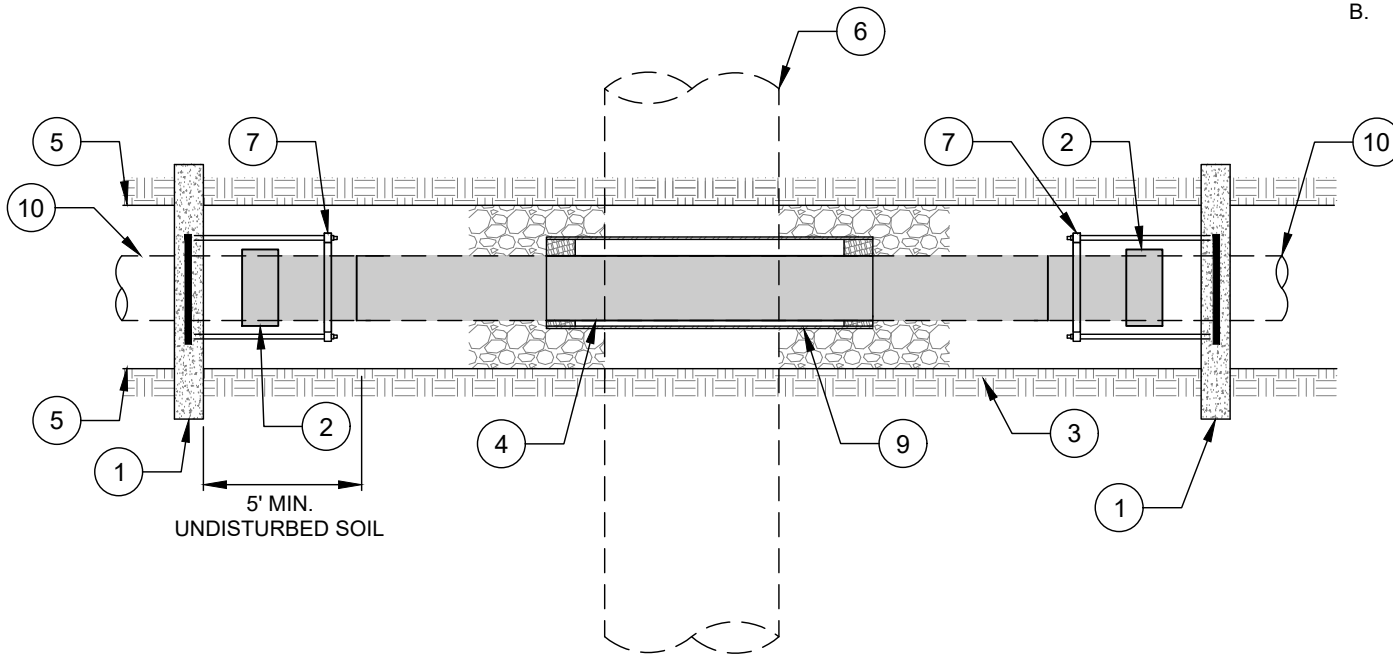


**PROFILE VIEW**

**NOTES TO DESIGNER**

- A. SEALING ENGINEER SHALL CONFIRM WATER LINE SEPARATION IS IN ACCORDANCE WITH GOVERNING BODY REGULATIONS. MODIFY DETAIL ACCORDINGLY.
- B. SEALING ENGINEER TO ADD FINISH ELEVATIONS OF THE GROUND, STORM DRAIN, AND NEW WATER LINE.



**PLAN VIEW**

BEND RADIUS TABLE	
MAIN SIZE (INCHES)	MINIMUM BEND RADIUS (FEET)
6	133
8	173
10	215
12	255
16	320

S.S. TIE ROD TABLE	
MAIN SIZE (INCHES)	TIE ROD SIZE (COUNT - DIA. X INCH LENGTH)
6	6 - 3/4 X 13
8	6 - 3/4 X 13
10	8 - 3/4 X 18
12	8 - 3/4 X 18
16	10 - 3/4 X 18

**NO. DESCRIPTION:**

1. CONCRETE WALL BLOCKING (REFER TO APPROPRIATE STANDARD DETAIL).
2. TRANSITION COUPLING IF REQUIRED (REFER TO APPROPRIATE STANDARD DETAIL).
3. TO PREVENT THE OVER-BENDING OF HDPE, A MINIMUM 1.5 TIMES THE MANUFACTURER SPECIFIED BEND RADIUS IS ALLOWED. IF BEND RADIUS REQUIREMENTS CANNOT BE MET, THEN BUTT FUSED LONG RADIUS BEND FITTINGS ARE ALLOWED.
4. NEW HDPE PIPE - MINIMUM LENGTH IS 10' PLUS DIAMETER OF STORM PIPE OF STRAIGHT RUN OF PIPE AND CENTERED UNDER STORM DRAIN PIPE.
5. TRENCH LIMITS.
6. STORM DRAIN (OR PROPOSED CONFLICT).
7. ROD BEND TO WALL BLOCK IF TRANSITION IS NOT SELF-RESTRAINED. TIE ROD MUST BE CORROSION-RESISTANT (S.S.) AND COVERED IN CORROSION INHIBITING SUBSTANCE.
8. THE CONNECTING TIE RODS THAT JOIN THE TWO ANCHOR RINGS SHALL BE MADE OF LOW ALLOY STEEL THAT CONFORMS TO ANSI/AWWA C111/A21.11.
9. STEEL CASING PIPE - REQUIRED IF STORM PIPE IS 72" DIAMETER OR LARGER OR REQUIRED IF STORM CONFLICT IS A BOX CULVERT. REFER TO STEEL CASING FOR HDPE PIPE STANDARD DETAIL.
10. EXISTING PIPE.

**NOTES:**

- A. ALL HDPE PIPE SHALL HAVE BUTT FUSED JOINT OR ELECTROFUSED FITTINGS.
- B. EMBEDMENT OF WATER MAIN SHALL BE PER APPROPRIATE STANDARD DETAIL.
- C. IF THE EXISTING PIPE IS HDPE, CONTRACTOR MAY NOT DEFLECT PIPE AS-IS TO ACHIEVE LOWERING. HDPE FITTINGS OR NEW HDPE PIPE MUST BE INSTALLED TO PROVIDE THE EXTRA PIPE LENGTH NEEDED TO ACCOMMODATE A WATER MAIN LOWERING.
- D. LOWERED PIPE MUST BE NEW MATERIAL. REUSE OF EXISTING PIPE IS NOT ALLOWED.