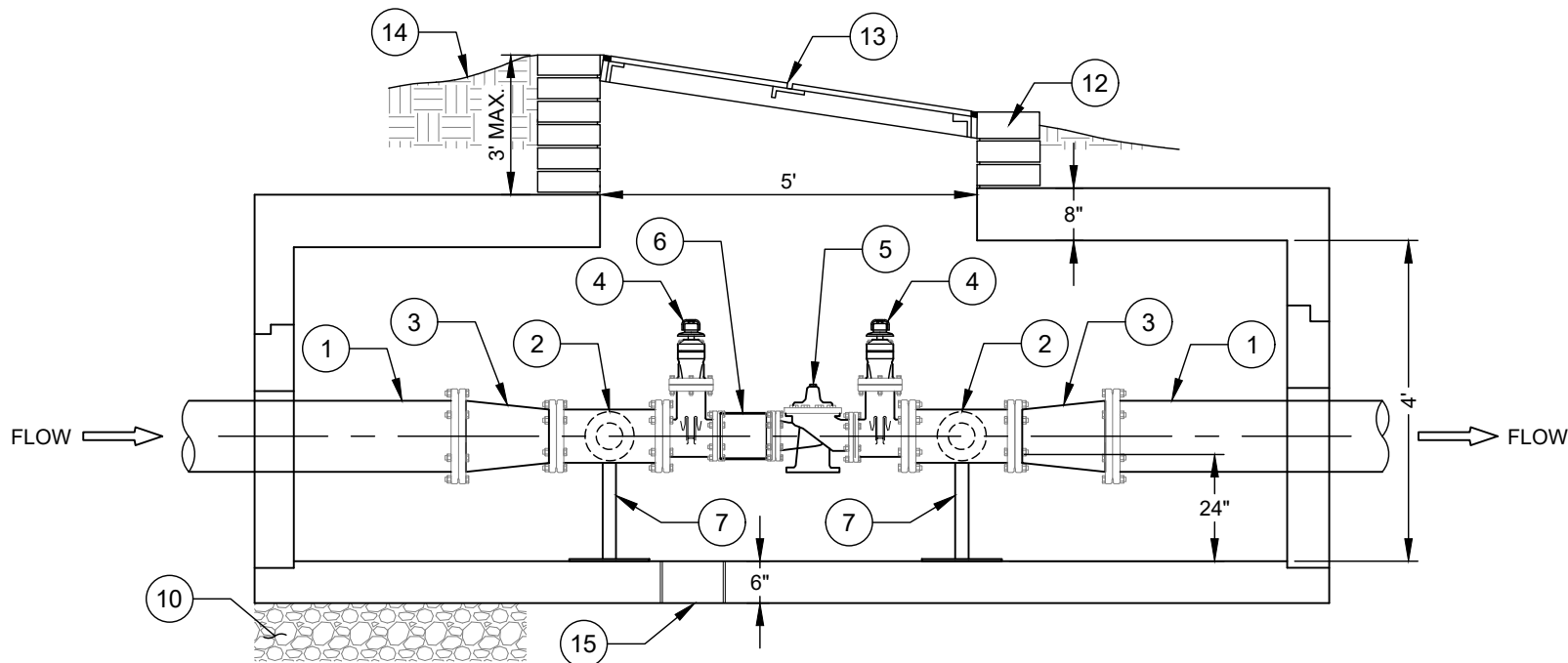


**PLAN VIEW**



**ELEVATION VIEW**

**NO. DESCRIPTION:**

1. 6" OR 8" WATER MAIN.
2. 6" X 2" TEE (TYP.).
3. 8" X 6" REDUCER (TYP.).
4. 6" GATE VALVE (TYP.).
5. 6" PRV WITH 2" BYPASS CLA-VAL MODEL 6" 90-99.
6. 6" DISMANTLING JOINT.
7. 2"/3" SUPPORT (TYP.).
8. 6" SPOOL PIECE.
9. 6" 90° BEND (TYP.).
10. #57 WASHED STONE.
11. 2" GATE VALVE (TYP.).
12. MINIMUM OF 3 STANDARD BRICK COURSES LOCATED UNDER FRAME, OR UNDER FLAT SLAB TOP.
13. 5' X 5' DOUBLE LEAF STEEL COVER, HINGED & LOCKABLE. SEE STD. DETAIL.
14. FINISHED GRADE TO DRAIN AWAY FROM COVER.
15. 12" DIAMETER SUMP.

**NOTES:**

- A. ALL PIPING SHALL BE MINIMUM CLASS 53 FLANGE DUCTILE IRON WITH FULL FACE GASKETS.
- B. ALL FLANGE HARDWARE (BOLT/WASHER/NUT) SHALL BE STAINLESS STEEL - TYPE 304 WITH ANTI-SEIZE COMPOUND.
- C. ALL PIPE SHALL BE RESTRAINED FROM TAP TO PROPERTY LINE VALVE.
- D. VAULT SHALL BE RATED FOR NCDOT HS-20 LOADING - SUBMIT SHOP DRAWINGS/P.E. SEALED FOR REVIEW.
- E. ALL CONCRETE SHALL BE MINIMUM 3,600 PSI COMPRESSIVE STRENGTH.
- F. DESIGN SHALL CONFORM TO ASTM C858 - SPECIFICATIONS FOR "UNDERGROUND PRECAST CONCRETE UTILITY STRUCTURE".
- G. STEEL REINFORCING DESIGN SHALL CONFORM TO ASTM C857.
- H. REBARS SHALL BE GRADE 60 PER ASTM A615.
- I. WELDED WIRE FABRIC SHALL CONFORM TO ASTM A185.
- J. DIAGONAL REINFORCING SHALL BE ADDED AT ALL OPENINGS.
- K. PIPE PENETRATIONS SHALL BE SEALED WITH FLEXIBLE CONNECTERS (MANHOLE BOOTS) OR WITH 4" OF BRICK & MORTAR (AND 1/2-INCH THICK CONSTRUCTION EXPANSION MATERIAL AROUND THE PIPE).
- L. FRAME TO BE FLUSH WITH GROUND OR CONCRETE SIDEWALK, GROUND SHALL SLOPE AWAY FROM VAULT.
- M. ALL JOINTS SHALL BE MADE WATERTIGHT USING 2 RINGS OF BUTYL RUBBER JOINT MASTIC.

NO SCALE
VERSION 1.0
DATE 04/2024
DETAIL 10.8.5