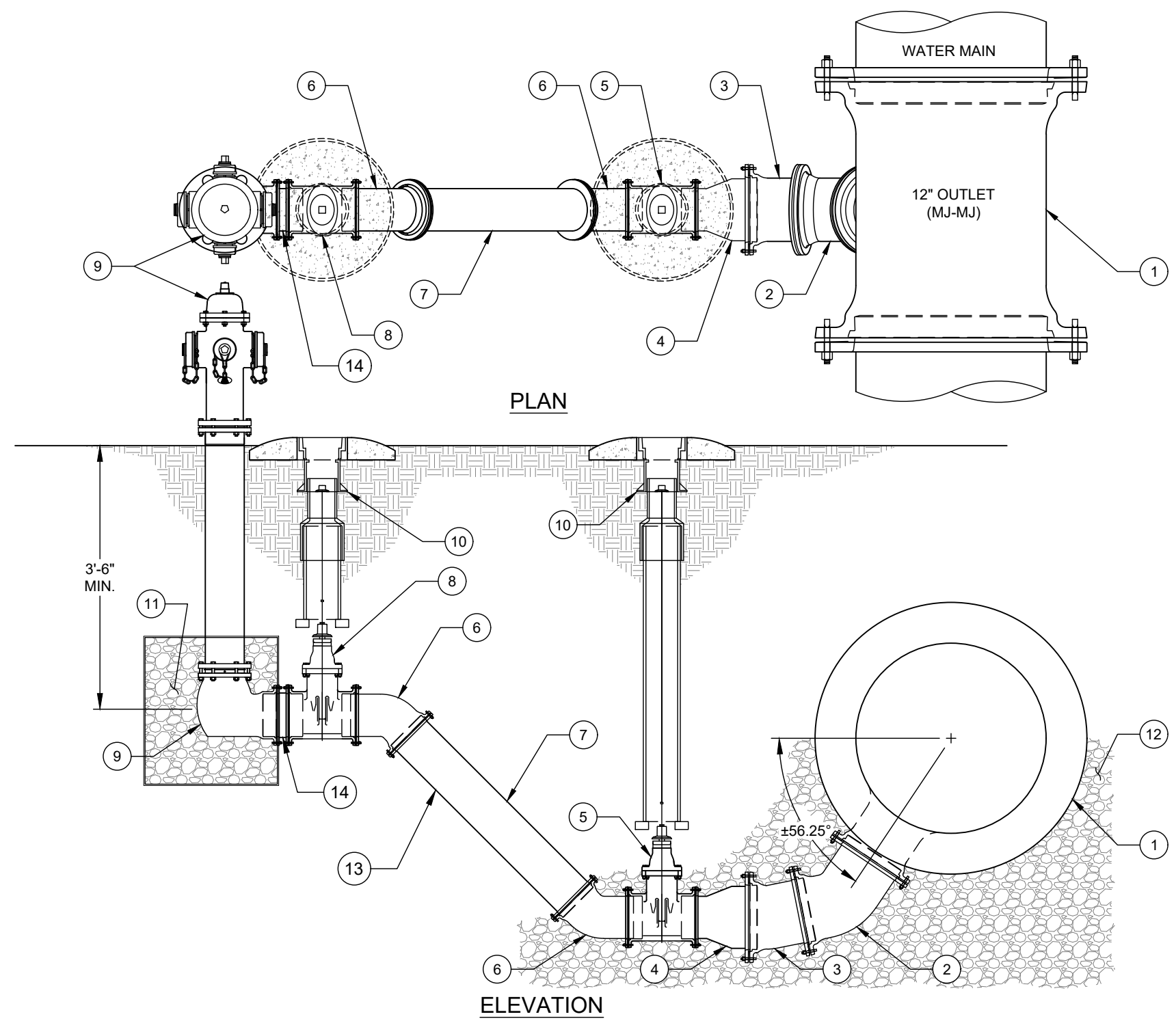


NO. DESCRIPTION:

1. RUN X 12" RMJ TEE.
2. 12" 45° BEND MJ-MJ FITTINGS WITH FOSTER ADAPTORS (ROTATE AS REQ'D).
3. 12" 11¼° BEND MJ-MJ FITTINGS WITH FOSTER ADAPTORS.
4. 12" X 8" REDUCER MJ-MJ FITTINGS WITH FOSTER ADAPTORS (OR) 8" X 18" DIP SHORT (OR) 8" X 13" SWIVEL ADAPTER.
5. 8" GATE VALVE (RMJ-RMJ).
6. 8" 45° BEND MJ-MJ FITTINGS WITH FOSTER ADAPTOR.
7. 8" RJ DIP (PE-PE) LENGTH AS REQ'D.
8. 8" GATE VALVE (RMJ-RMJ).
9. HIGH VELOCITY FIRE HYDRANT PAINTED OSHA SAFETY BLUE - W/TWO HOSE & TWO STORZ PUMPER NOZZLES AND 8" SHOE CONNECTION (INSTALLATION PER THE FH STANDARD DETAIL).
10. VALVE BOX ASSEMBLY W/ VALVE EXTENSION ASSEMBLY (AS REQ'D) PER CLTW STD. DETAILS.
11. MINIMUM 9 CUBIC FEET OF #57 WASHED STONE PROPORTIONALLY AROUND BASE. DO NOT COVER WEEP HOLE. ENCAPSULATE FILTER FABRIC AROUND WASHED STONE.
12. COMPACTED BEDDING STONE - #57 WASHED STONE TO MIDPOINT OF MAIN & 6" ABOVE B.O. PIPING.
13. ALL PIPE & FITTINGS SHALL BE RESTRAINED. FITTINGS 12" & SMALLER SHALL CONFORM TO AWWA C-153 FOR COMPACT FITTINGS.
14. FOSTER ADAPTOR.

NOTES:

- A. RJ PIPE AND FITTINGS MAY BE FACTORY RESTRAINED JOINTS IN PLACE OF MJ FITTINGS.



PLAN

ELEVATION