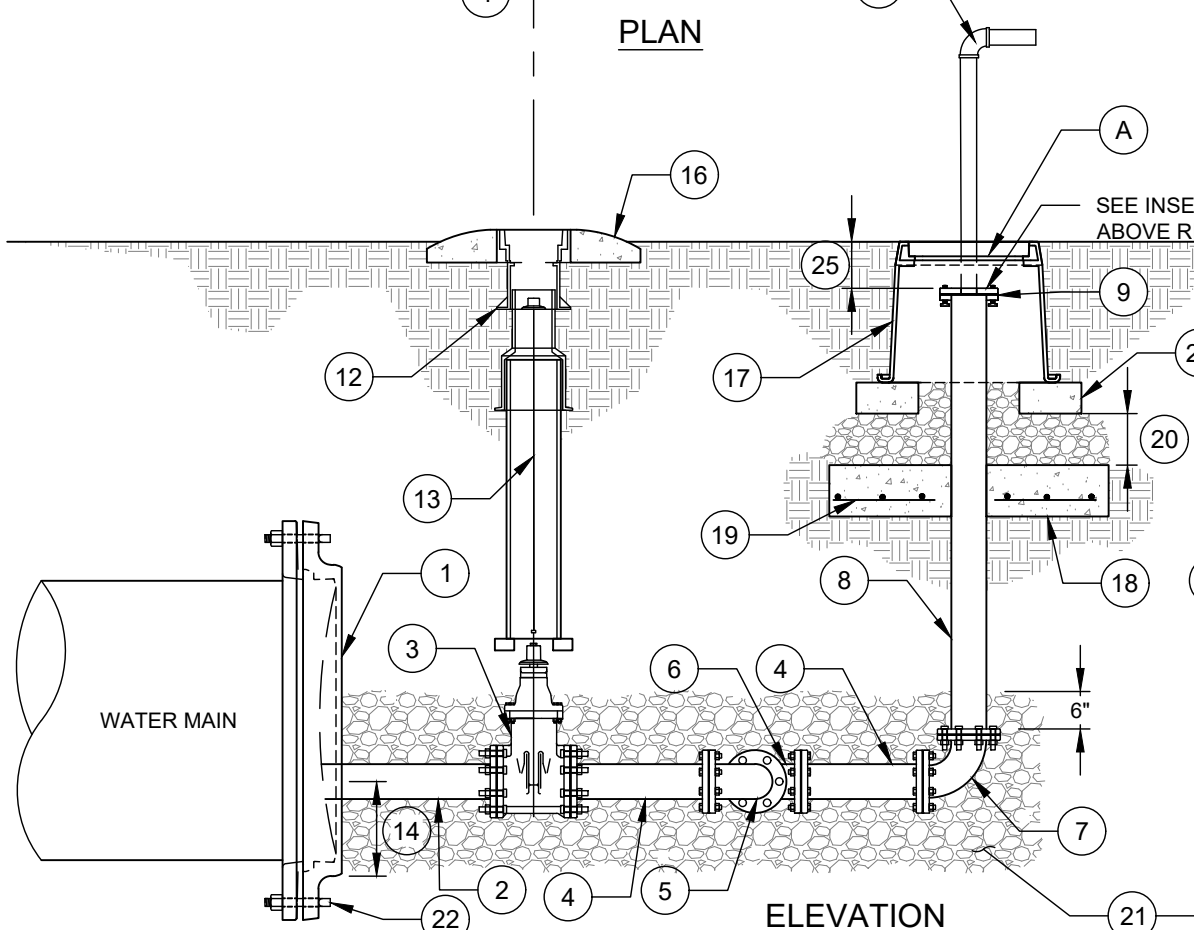
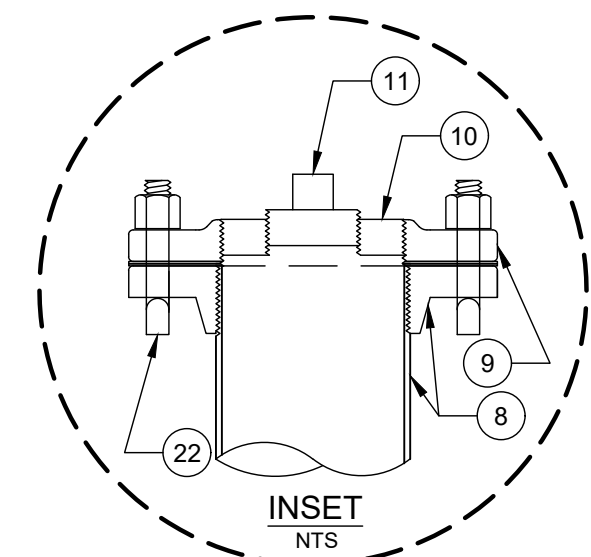


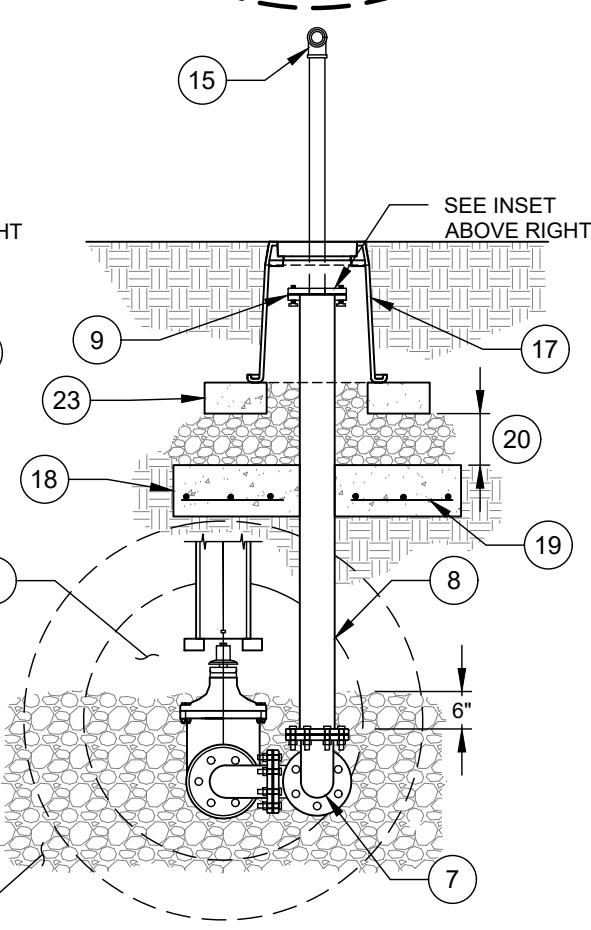
PLAN



ELEVATION



INSET
NTS



- NO. DESCRIPTION:**
1. RESTRAINED MJ CAP W/4" NPT THREADED OUTLET.
 2. 4" SCH 40 S.S. NIPPLE (NPT THREADED-FL) 12".
 3. 4" GATE VALVE (FL-MJ) RESTRAINED.
 4. 4" DIP SHORT (PE-PE) 12".
 5. 4" 90° BEND (MJ-PE) RESTRAINED.
 6. 4" 90° BEND (MJ-MJ) RESTRAINED.
 7. 4" 90° BEND (MJ-MJ) RESTRAINED.
 8. 4" DIP (PE- SCREW-ON FL) RESTRAINED.
 9. 4" FLANGE W/4" NPT THREADED OUTLET.
 10. 4" X 2" NPT THREADED BRASS BUSHING.
 11. 2" PVC SCREW-IN PLUG-NPT THREADED.
 12. STD VALVE BOX ASSEMBLY.
 13. VALVE EXTENSION AS REQUIRED (SEE APPROPRIATE STD. DETAILS).
 14. DISTANCE TO CENTERLINE OF 4" THREADED OUTLET MAY VARY FROM CENTER WITH SIZE, MANUFACTURER, AND TYPE OF CAP OR PLUG.
 15. 2" GSP STAND PIPE 90° BEND W/ 6" SHORT THREADED PIPE.
 16. CONCRETE PAD (SEE APPROPRIATE STD. DETAIL) - OMIT WHEN IN PAVEMENT.
 17. PLASTIC METER BOX PER STD. DETAIL - RELACE W/ REINFORCED CONCRETE PAD W/ WATER FRAME & COVER PER APPROPRIATE STD. DETAILS WHEN IN PAVEMENT.
 18. CONCRETE THRUST COLLAR (3' X 3' X 6").
 19. REINFORCE W/ #4 BARS @ 6" O.C. EACH WAY.
 20. 6" #57 CRUSHED STONE.
 21. #57 CRUSHED STONE BEDDING.
 22. ALL THREAD T-HEAD BOLT (LOOKING UP).
 23. 4 (QTY.) NCDOT STD. CONCRETE BRICK ON DIAGONAL AT EA. MB CORNER - OMIT WHEN FRAME & COVER IS USED.
 24. PIPE & FITTINGS SHALL BE RESTRAINED.
 25. 5" (MIN.) - 9" (MAX.).

#10 THROUGH #25, EXCLUDING #22, SHALL BE "SAME" ON ALTERNATE MATERIALS LIST.

- NO. HDPE ALTERNATE MATERIALS:**
1. SAME.
 2. 4" SDR9 NIPPLE (S.S. NPT THREADED-MALE MJ ADAPTOR) 12".
 3. 4" GATE VALVE (MJ-MJ).
 4. 4" SDR9 NIPPLE (MALE MJ ADAPTOR-MALE MJ ADAPTOR) 24".
 5. OMIT.
 6. OMIT.
 7. 4" 90° BEND (MJ-MJ) RESTRAINED.
 8. 4" SDR9 SHORT (MALE MJ ADAPTOR - FEMALE S.S. NPT THREADED ADAPTOR).
 9. OMIT.

NOTES:
 A. BASED ON PROJECT SPECIFIC REQUIREMENT, TEMPORARY FIRE HYDRANT TO BE PAINTED BLUE. IF PERMANENT FIRE HYDRANT INSTALLED WITH TEE PER STANDARD DETAIL.