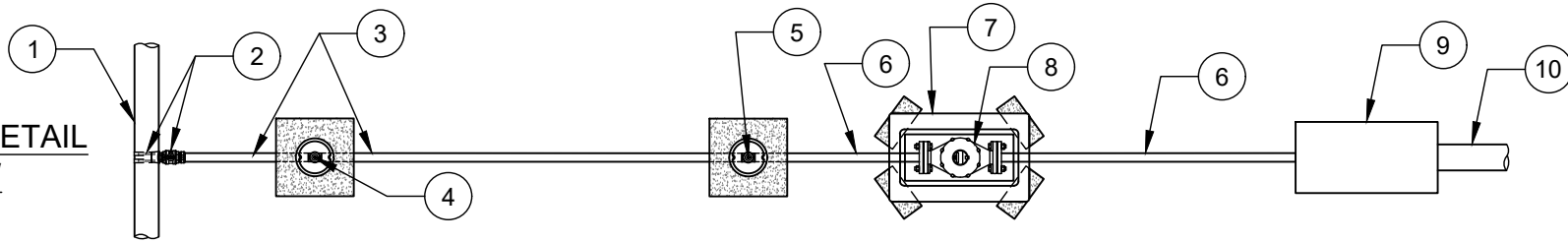
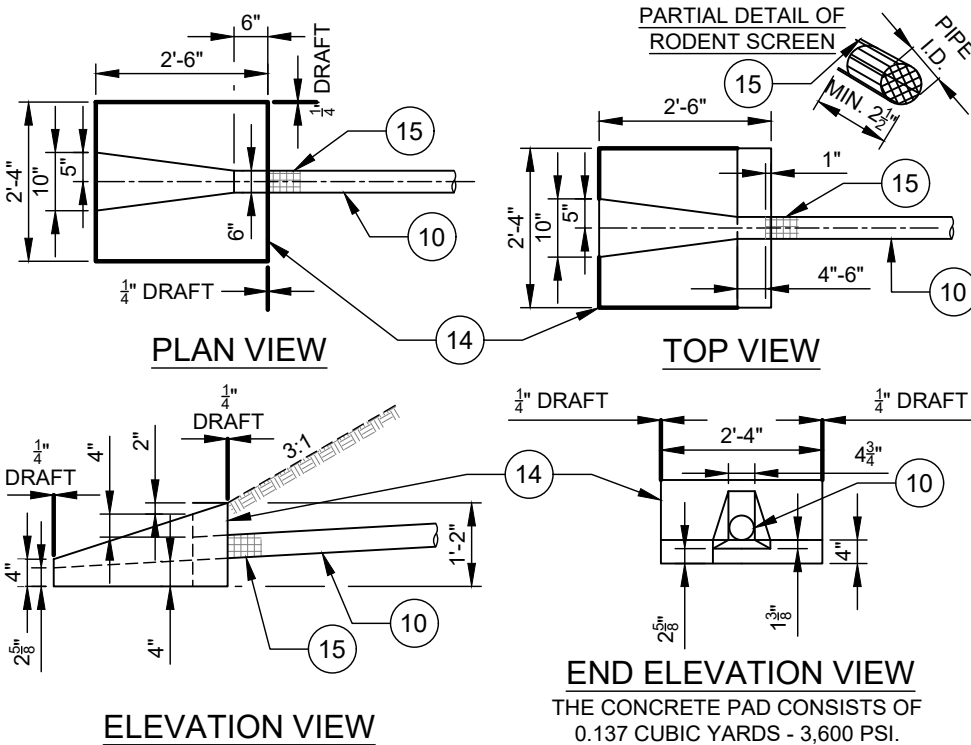
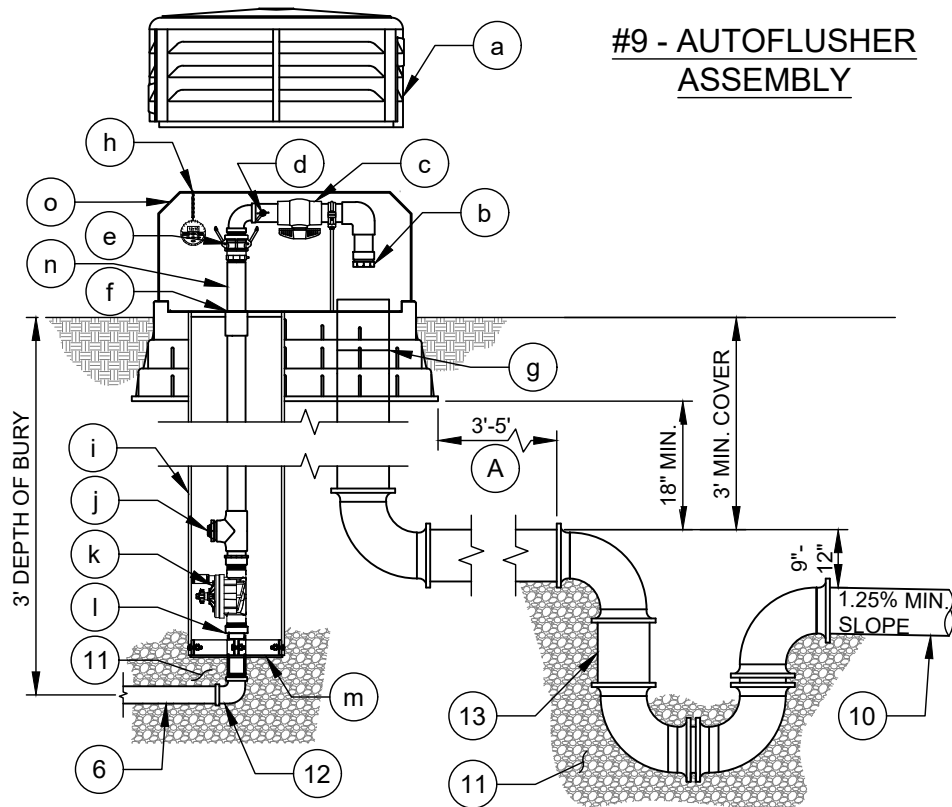


**INSTALLATION DETAIL
PLAN VIEW**



**#9 - AUTOFLUSHER
ASSEMBLY**



CONCRETE FLAIRED END FOR SHOULDER DRAIN

NOTES:

- A. INSTALL TRAP 3'-5' DOWNSTREAM FROM EDGE OF UNIT WITH A 6" SERVICE LINE.
- B. FLUSH WATER LINES FREE OF DEBRIS BEFORE INSTALLATION OF AUTO-FLUSHER.
- C. DISCHARGE WATER FROM THE AUTO-FLUSHER UNIT MAY BE MANAGED IN ONE OF THREE WAYS:
 - 1. DISCHARGE INTO AN EXISTING SANITARY SEWER MAIN WITH A 6" SERVICE LINE.
 - 2. DISCHARGE INTO AN EXISTING STORM WATER MAIN. THIS CONNECTION MUST TAKE INTO ACCOUNT THE DOWNSTREAM IMPACTS OF THE CONNECTION, AND BE APPROVED BY CHARLOTTE OR MECKLENBURG COUNTY STORMWATER SERVICES AND/OR LOCAL MUNICIPAL STORMWATER REQUIREMENTS, IF APPLICABLE.

- 3. SURFACE DISCHARGE THROUGH PIPING AND AN OUTLET STRUCTURE, PERMITTING OVERLAND FLOW TO A DITCH OR STREAM. DETAIL FOR THE OUTLET STRUCTURE IS SHOWN ON THIS SHEET.
- D. BASED ON ACTUAL METER READINGS, ADJUST GATE VALVE TO RESTRICT ACTUAL MAXIMUM FLOW TO 80 GPM.
- E. TRACER WIRE INSTALLED PER CLTW TRACER WIRE DETAIL AS APPLICABLE.

NO. DESCRIPTION:

1. WATER MAIN.
2. 2" DOUBLE STRAP SERVICE SADDLE W/CORPORATION STOP - (CC THREAD X CTS COMPRESSION OUTLET).
3. 2" TYPE K COPPER TUBING.
4. 2" GATE VALVE (FIPT X FIPT) W/ BRASS MIPT X CTS COMPRESSION ADAPTOR, EACH END, W/ STD VALVE BOX ASSEMBLY.
5. 2" GATE VALVE (FIPT X FIPT). WHEN REQUIRED BY CLTW, W/ BRASS MIPT X CTS COMPRESSION ADAPTOR-FRONT SIDE, W/ STD VALVE BOX ASSEMBLY.
6. 2" BRASS NIPPLE (MIPT X MIPT) 30" OR 36" LAY LENGTH.
7. 1" PLASTIC METER BOX W/PLASTIC LID (CONCRETE BOX REQUIRED IN HARDSCAPE) WITH 4 SUPPORT BRICKS.
8. 2" WATER METER (2-BOLT METER FLANGE X 2-BOLT METER FLANGE) (W/ BRASS 2-BOLT METER FLANGE X FIPT ADAPTOR, EACH END) (W/ S.S. TYPE 304 BOLTS/NUTS).
9. 2" AUTOFLUSHER UNIT - MODEL 9800 AS MANUFACTURED BY KUPFERLE FOUNDRY COMPANY.
 - a. UV RESISTANT LOCKABLE LID.
 - b. DIFFUSER/TRAP.
 - c. 2" PVC BALL VALVE.
 - d. SAMPLING POINT.
 - e. 2" STAINLESS STEEL QUICK DISCONNECT. REMOVABLE ACCESS PLATE.
 - f. 6" SEWER PIPE CONNECTION.
 - h. CONTROLLER. HANG FROM LID SUPPORT BRACKET.
 - i. SDR 35 PVC PIPE.
 - j. AUTOMATIC DRAIN.
 - k. 2" AUTOMATIC VALVE.
 - l. O-RING CONNECTOR.
 - m. DEBRIS PLATE.
 - n. 2" SCH 80 PVC PIPE.
 - o. STEEL LID SUPPORT BRACKET.
10. 6" PVC SCH 80 DISCHARGE PIPING.
11. CLEAN #57 WASHED STONE.
12. 2" S.S. TYPE 304 OR 316 FIPT X FIPT 90° BEND.
13. 6" PVC SCH 80 PIPE & P TRAP.
14. PRECAST CONCRETE FLAIRED END SECTION.
15. RODENT SCREEN. 2" X 2" TO 4" X 4" GALV. HARDWARE CLOTH 0.063 WIRE OR EQUAL INSTALLED 4" TO 6" INSIDE DRAIN PIPE.

NO. ALTERNATE DESCRIPTION:

- WHEN USING HDPE (IPS) POLY IN PLACE OF COPPER TUBING, USE THE FOLLOWING PRODUCTS:
2. 2" BALL CORPORATION STOP - (CC THREAD X FIPT OUTLET).
 3. 2" SDR 9 (IPS) HDPE PIPE, WITH BUTT FUSED HDPE X S.S. THREADED ADAPTOR, EACH END.
 4. 2" GATE VALVE (FIPT X FIPT), W/STD VALVE BOX ASSEMBLY.
 5. 2" GATE VALVE (FIPT X FIPT), WHEN REQ'D BY CLTW, W/ STD VALVE BOX ASSEMBLY.
 6. 2" SDR 9 (IPS) HDPE PIPE, WITH BUTT FUSED HDPE X S.S. THREADED ADAPTOR, EACH END, 30" OR 36" LAY LENGTH.