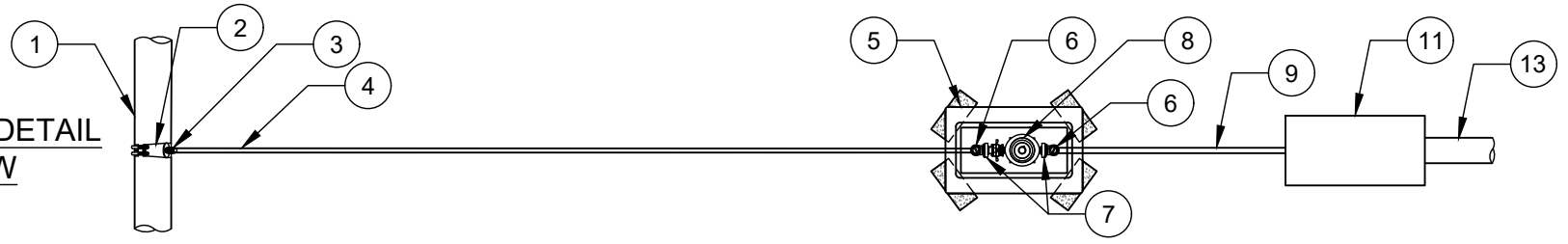
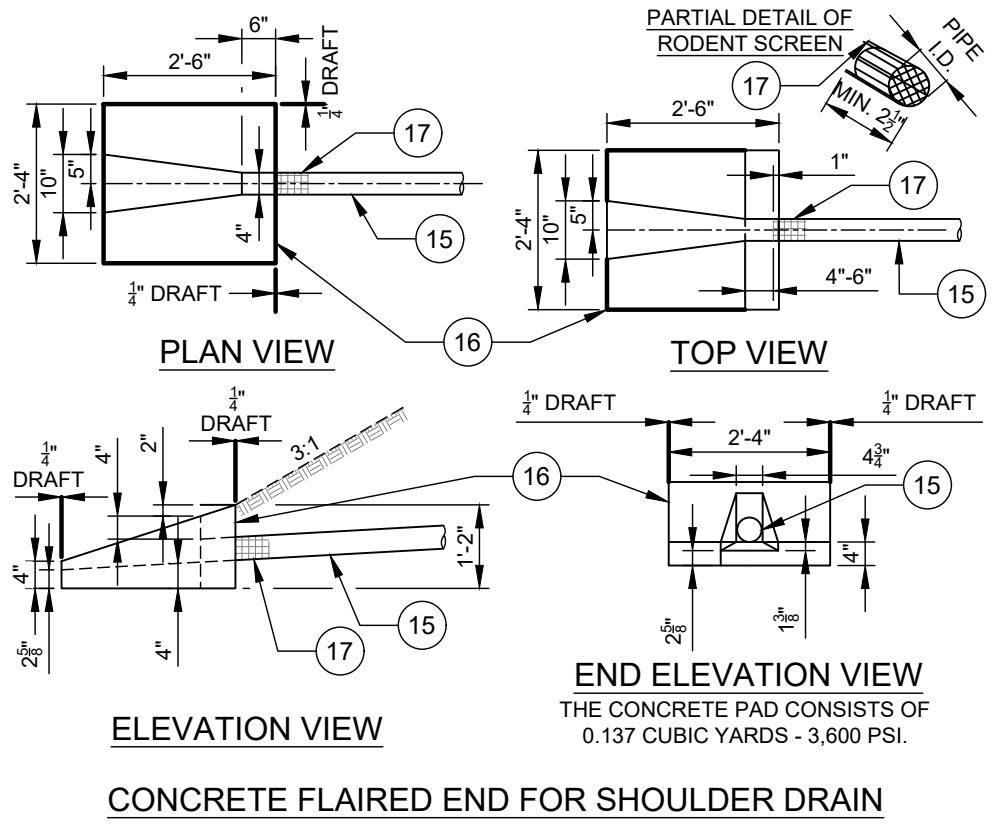
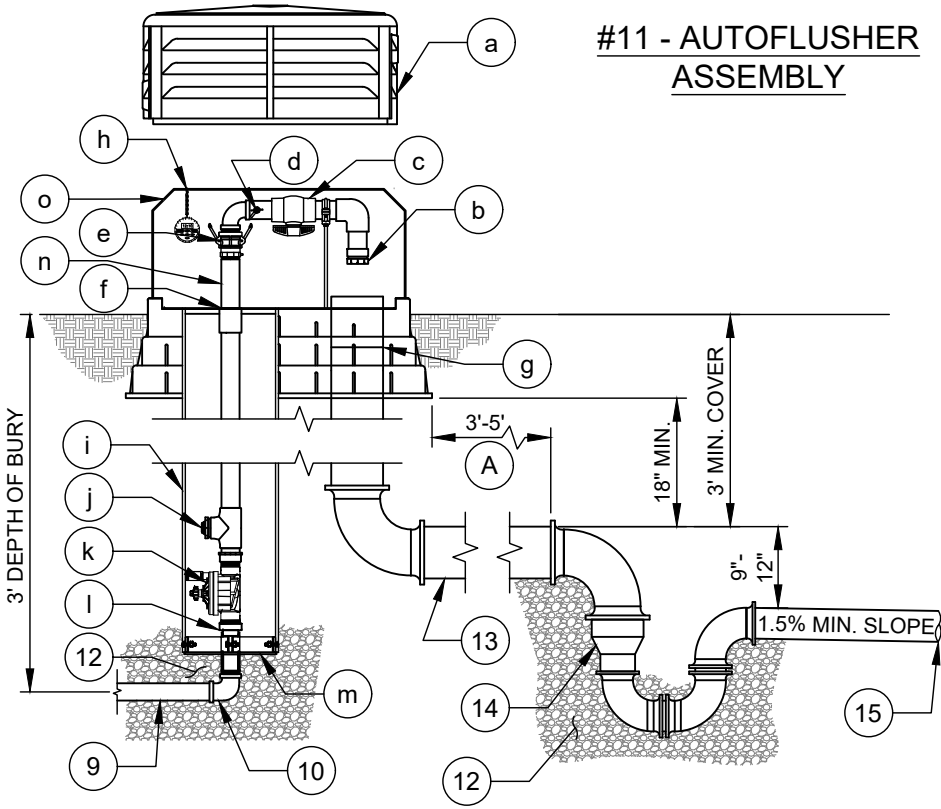


**INSTALLATION DETAIL
PLAN VIEW**



**#11 - AUTOFLUSHER
ASSEMBLY**



- | NO. | DESCRIPTION: |
|-----|--|
| 1. | WATER MAIN. |
| 2. | 1" DOUBLE STRAP SERVICE SADDLE. |
| 3. | 1" BALL CORPORATION STOP - (CC THREAD X CTS COMPRESSION OUTLET). |
| 4. | 1" TYPE K COPPER TUBING OR SDR 9 HDPE (CTS) TUBING, W/ INSERT STIFFENERS. |
| 5. | 1" PLASTIC METER BOX W/PLASTIC LID (CONCRETE BOX REQUIRED IN HARDSCAPE) W/ 4 SUPPORT BRICKS. |
| 6. | 1" ANGLE BALL VALVE WITH LOCK WINGS - CTS COMPRESSION X YOKE STAR NUT. |
| 7. | 1" DUCTILE IRON YOKE BAR. |
| 8. | 1" WATER METER ASSEMBLY (BY CLTW) WITH ARM TRANSMITTER. |
| 9. | 1" TYPE K COPPER OR SDR 9 HDPE (CTS) TUBING, W/ INSERT STIFFENERS, 36" LAY LENGTH. |
| 10. | 1" BRASS 90° BEND - CTS COMPRESSION X FIPT. |
| 11. | 1" AUTOFLUSHER UNIT - MODEL 9800A AS MANUFACTURED BY KUPFERLE FOUNDRY COMPANY. |
| a. | UV RESISTANT LOCKABLE LID. |
| b. | DIFFUSER/TRAP. |
| c. | 1" PVC BALL VALVE. |
| d. | SAMPLING POINT. |
| e. | 1" STAINLESS STEEL QUICK DISCONNECT. |
| f. | REMOVABLE ACCESS PLATE. |
| g. | 6" SEWER PIPE CONNECTION. |
| h. | CONTROLLER. HANG FROM LID SUPPORT BRACKET. |
| i. | SDR 35 PVC PIPE. |
| j. | AUTOMATIC DRAIN. |
| k. | 1" AUTOMATIC VALVE. |
| l. | O-RING CONNECTOR. |
| m. | DEBRIS PLATE. |
| n. | 1" SCH 80 PVC PIPE. |
| o. | STEEL LID SUPPORT BRACKET. |
| 12. | CLEAN #57 WASHED STONE. |
| 13. | 6" PVC SCH 80 PIPE. |
| 14. | 6" X 4" REDUCER - SCH 80 PVC. |
| 15. | 4" PVC SCH 80 DISCHARGE PIPING. |
| 16. | PRECAST CONCRETE FLAIRED END SECTION. |
| 17. | RODENT SCREEN. 2" X 2" TO 4" X 4" GALV. HARDWARE CLOTH 0.063 WIRE OR EQUAL INSTALLED 4" TO 6" INSIDE DRAIN PIPE. |

- NOTES:**
- INSTALL TRAP 3'-5' DOWNSTREAM FROM EDGE OF UNIT WITH A 6" SERVICE LINE.
 - FLUSH WATER LINES FREE OF DEBRIS BEFORE INSTALLATION OF AUTO-FLUSHER.
 - DISCHARGE WATER FROM THE AUTO-FLUSHER UNIT MAY BE MANAGED IN ONE OF THREE WAYS:
 - DISCHARGE INTO AN EXISTING SANITARY SEWER MAIN WITH A 4" SERVICE LINE.
 - DISCHARGE INTO AN EXISTING STORM WATER MAIN. THIS CONNECTION MUST TAKE INTO ACCOUNT THE DOWNSTREAM IMPACTS OF THE CONNECTION, AND BE APPROVED BY CHARLOTTE OR MECKLENBURG COUNTY STORMWATER SERVICES AND/OR LOCAL MUNICIPAL STORMWATER REQUIREMENTS, IF APPLICABLE.

- SURFACE DISCHARGE THROUGH PIPING AND AN OUTLET STRUCTURE, PERMITTING OVERLAND FLOW TO A DITCH OR STREAM. DETAIL FOR THE OUTLET STRUCTURE IS SHOWN ON THIS SHEET.
- BASED ON ACTUAL METER READINGS, ADJUST ANGLE BALL VALVE TO RESTRICT ACTUAL MAXIMUM FLOW TO 25 GPM.
- TRACER WIRE INSTALLED PER CLTW TRACER WIRE DETAIL AS APPLICABLE.