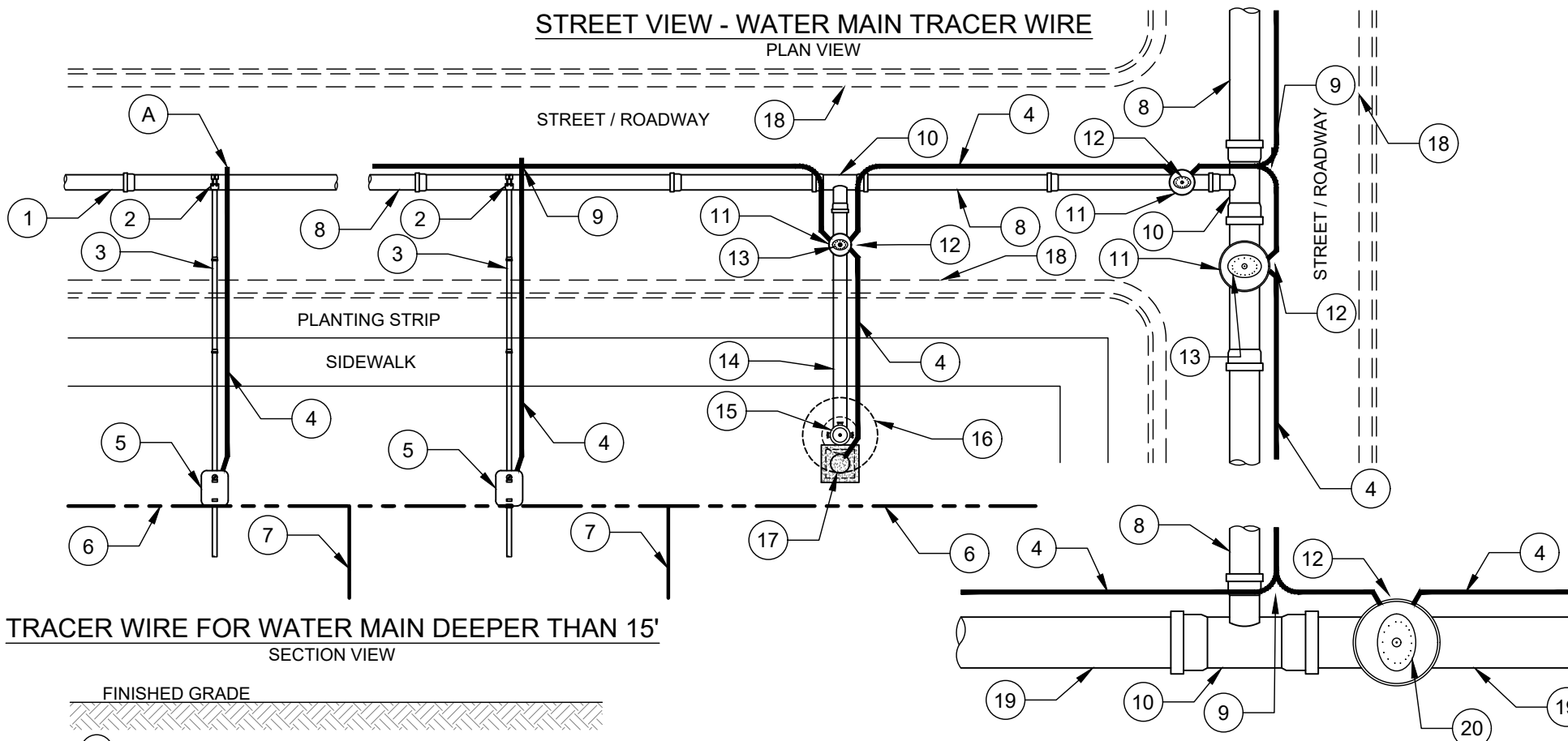


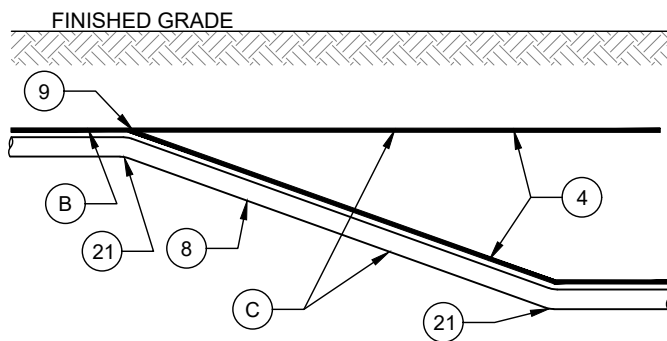
STREET VIEW - WATER MAIN TRACER WIRE

PLAN VIEW



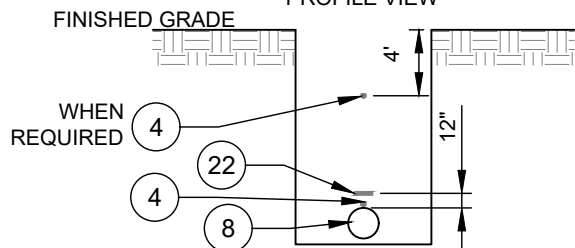
TRACER WIRE FOR WATER MAIN DEEPER THAN 15'

SECTION VIEW



TRENCH DETAIL

PROFILE VIEW



NO. DESCRIPTION:

1. EXISTING WATER MAIN LINE WITHOUT TRACER WIRE.
2. SERVICE SADDLE.
3. WATER SERVICE LINE.
4. AWG #12 GAUGE SOLID COPPER TRACER WIRE (TYP.).
5. METER BOX & LID (SEE CLTW STD. DETAIL).
6. R/W / EASEMENT LINE.
7. PROPERTY LINE.
8. NEW WATER MAIN.
9. SPLICE (SEE CLTW STD. DETAIL).
10. TEE.
11. VALVE BOX ASSEMBLY (SEE CLTW STD. DETAIL).
12. NO SPLICE.
13. GATE VALVE.
14. FIRE HYDRANT BRANCH.
15. FIRE HYDRANT.
16. CONCRETE HYDRANT COLLAR. CAST-IN-PLACE. 3' DIAMETER BY 8" THICK. REINFORCE WITH #4 REBARS.
17. VALVE BOX ASSEMBLY IN SLAB (SEE CLTW STD. DETAIL).
18. CURB.
19. WATER TRANSMISSION MAIN LINE.
20. BUTTERFLY VALVE.
21. BEND.
22. 6" WIDE WARNING TAPE.

NOTES:

- A. FOR NEW SERVICE ON EXISTING MAIN WHERE NO TRACER WIRE IS LOCATED ON WATER MAIN, PLACE TRACER WIRE END AT BOTTOM EDGE OF TRENCH AWAY FROM MAIN AND SERVICE.
- B. WATER MAIN LESS THAN 15' DEPTH OF COVER - TRACING WIRE SHALL BE ATTACHED TO PIPE.
- C. WATER MAIN GREATER THAN 15' DEPTH OF COVER - TRACER WIRE SHALL BE ATTACHED TO PIPE AND PLACED AT A DEPTH OF 4' BELOW FINISH GRADE.
- D. TRACER WIRE SHOWN AWAY FROM PIPE FOR CLARITY. TRACER WIRE SHALL BE FASTENED TO THE PIPE WITH ZIP TIES OR DUCT TAPE AT 10' INTERVALS.
- E. TRACER WIRE PLACEMENT NEXT TO PIPE FOR PIPE MATERIALS OTHER THAN HDPE. TRACER WIRE PLACEMENT IN RELATION TO HDPE PIPE IS UNDER PIPE IN CASE OF WEATHER.
- F. TRACER WIRE SHALL BE SOLID COPPER #12 WITH 30 MILS BLUE HDPE INSULATION.
- G. SPLICED CONNECTIONS SHALL BE ALLOWED BETWEEN THE MAIN LINE TRACER WIRE AND THE SERVICE TRACER WIRE.
- H. TRACER WIRE SHALL BE PROTECTED FROM DAMAGE DURING THE EXECUTION OF THE WORK. NO BREAKS OR CUTS IN THE TRACER WIRE OR INSULATION SHALL BE PERMITTED.
- I. PRIOR TO ACCEPTANCE (POST PUNCH LIST) EACH WIRE SEGMENT SHALL PASS A CONDUCTIVITY TEST, WITNESSED BY THE ENGINEER OR ENGINEER'S REPRESENTATIVE.
- J. FOR INSTALLING A NEW SERVICE LINE ON AN EXISTING OR NEW MAIN WITH TRACER WIRE, INCLUDE 2' OF SLACK IN NEW TRACER WIRE AT THE SPLICE. THE METER BOX SHALL SERVE AS THE TEST PORT.
- K. MAXIMUM DISTANCE BETWEEN TEST PORTS SHALL BE 750 LINEAR FEET.