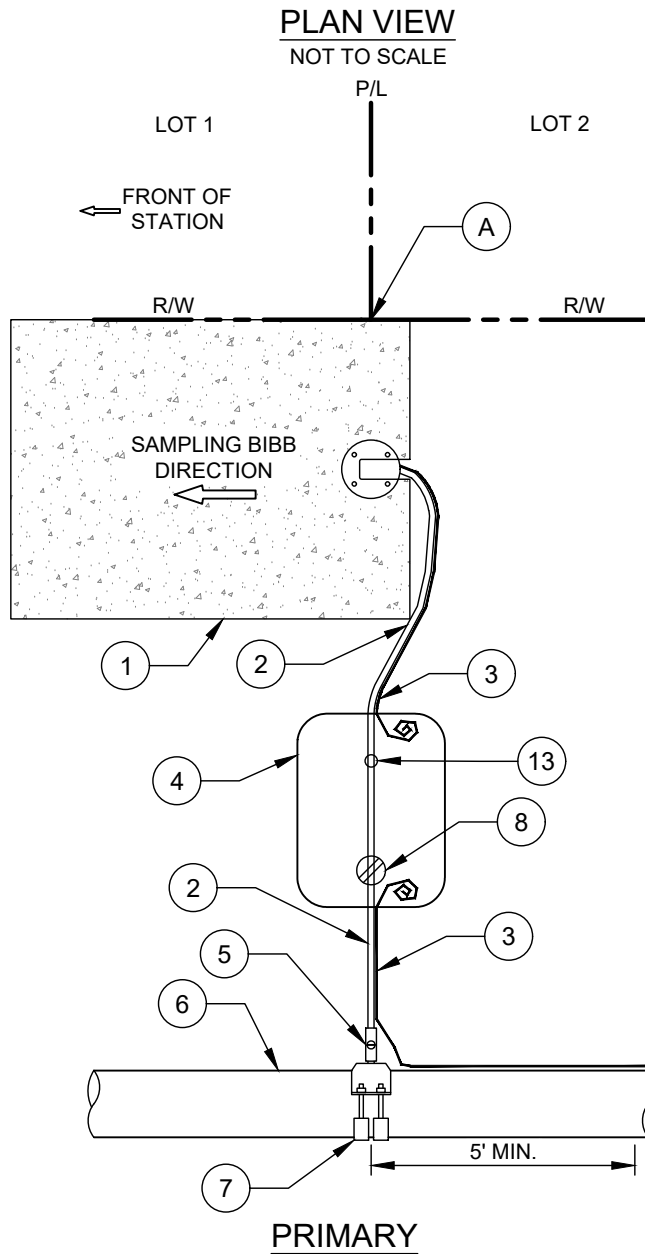


WATER MAIN CONNECTIONS

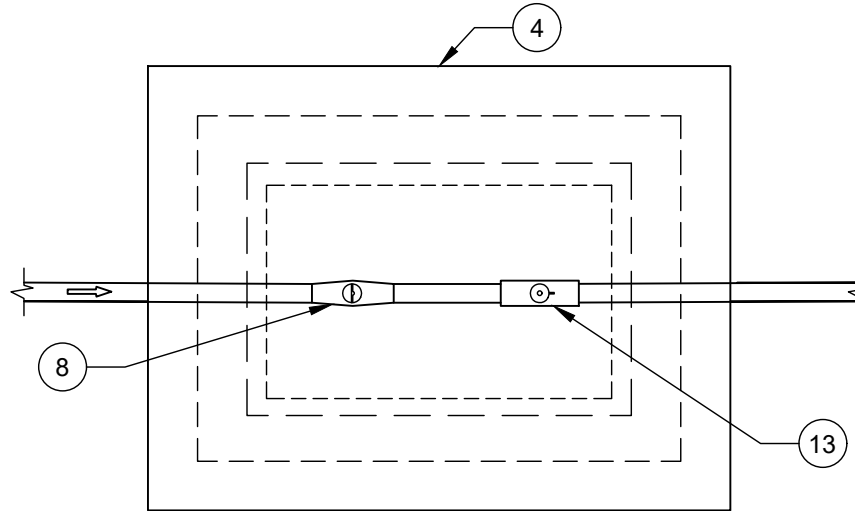


PRIMARY

*TAP SHALL ONLY BE CONNECTED DIRECTLY TO A CLTW PUBLIC MAIN AND MAY NOT BE CONNECTED TO WATER SERVICE PIPING, FIRE HYDRANT FEEDER LEG, AIR RELEASE OR BLOW-OFF PIPING.

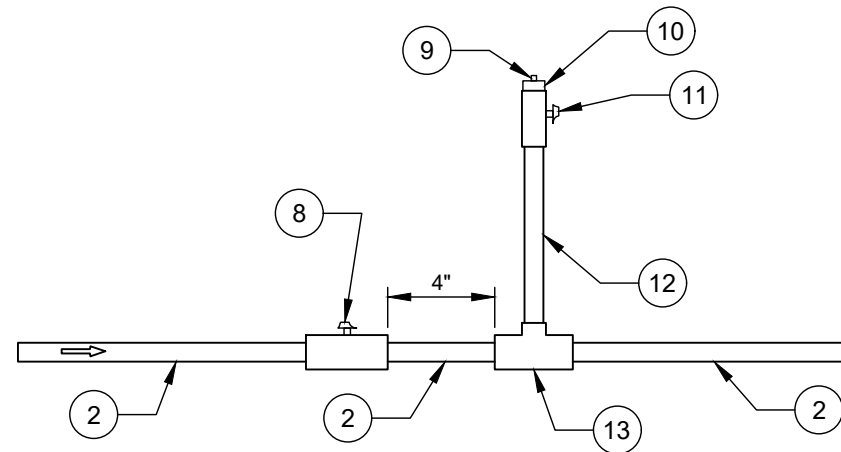
SAMPLING STATION PLUMBING

NOT TO SCALE



PLAN VIEW

NOT TO SCALE



ELEVATION VIEW

NOT TO SCALE

NO. DESCRIPTION:

1. PRECAST CONCRETE PAD (4' LONG X 3' WIDE X 4" THICK) RESTING ON 8" WASHED STONE #57.
2. 3/4" COPPER TUBING, TYPE K.
3. TRACER WIRE.
4. CLTW PLASTIC METER BOX AND LID PER STANDARD DETAIL.
5. 3/4" BALL VALVE CORPORATION STOP.
6. PUBLIC WATER MAIN.
7. SERVICE SADDLE.
8. 3/4" BALL VALVE WITH LOCK WING (CTS COMP. X CTS COMP.) MUELLER #B-25146N OR APPROVED EQUAL. APPROX. 4" LENGTH.
9. SOLID RED BRASS PLUG 1/4" MNPT GRAINGER 6RCZ4 OR APPROVED EQUAL.
10. BRASS HEX BUSHING 3/4" X 1/4" FNPT GRAINGER 22UL39 OR APPROVED EQUAL.
11. 3/4" FIPT BALL VALVE WITH LOCK WING MUELLER B20200N OR APPROVED EQUAL LOCK VALVE IN CLOSED POSITION (SERIAL NUMBERED STUD LOCK - FURNISHED BY CLTW).
12. 3/4" x 4" BRASS NIPPLE (MIP X MIP).
13. 3/4" SERVICE TEE (CTS COMP. X CTS COMP. X FIPT) MUELLER #H-15391N, FORD #T444-333NL, OR MCDONALD #74764Q).

NOTES:

- A. SAMPLING STATION TO BE LOCATED ON PROPERTY LINE BETWEEN TWO LOTS.