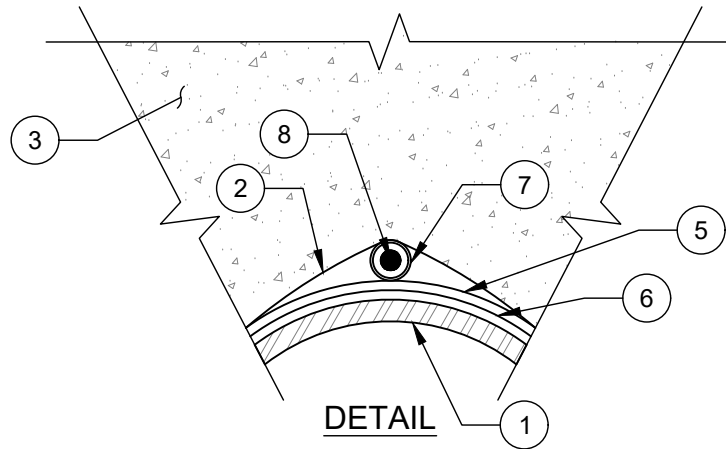


PIPE DIAMETER (INCHES)	WIDTH (W) (MINIMUM) (INCHES)	HEIGHT (H) (MINIMUM) (INCHES)	CONCRETE VOLUME APPROX. PER L.F.	
			FT ³ / LF	CY / LF
4	31	25	4.26	0.16
6	33	27	4.93	0.18
8	36	30	6.05	0.22
10	38	32	6.77	0.25
12	40	34	7.49	0.28
16	44	38	8.96	0.33
20	49	43	11.09	0.41
24	53	47	12.67	0.47
30	60	54	15.91	0.59
36	66	60	18.50	0.69
42	74	68	23.14	0.86
48	80	74	26.04	0.96
54	88	82	31.04	1.15
60	92	86	33.24	1.23
64	96	90	35.48	1.31

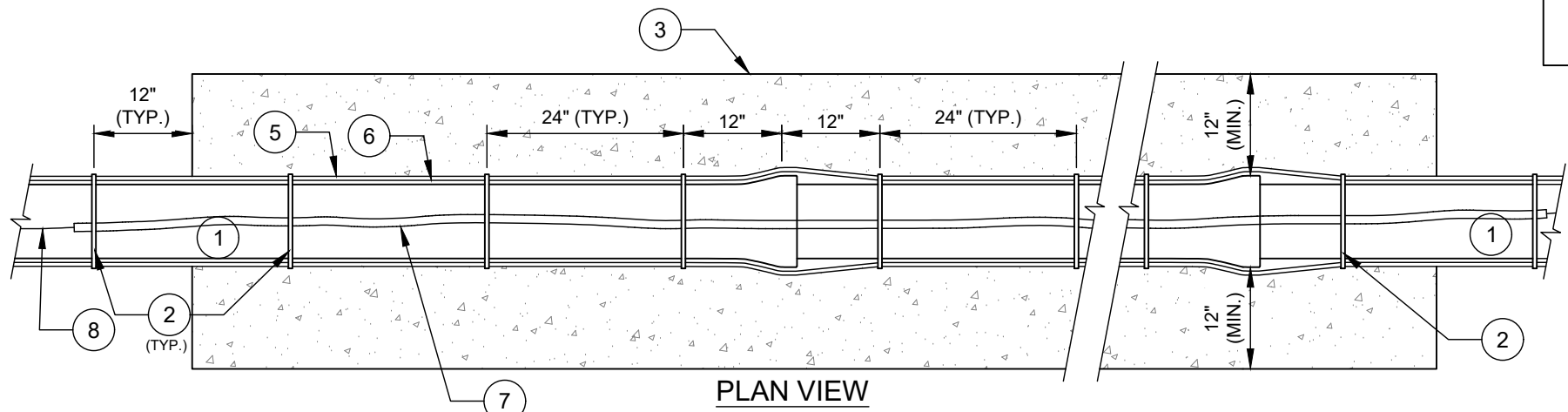


NO. DESCRIPTION:

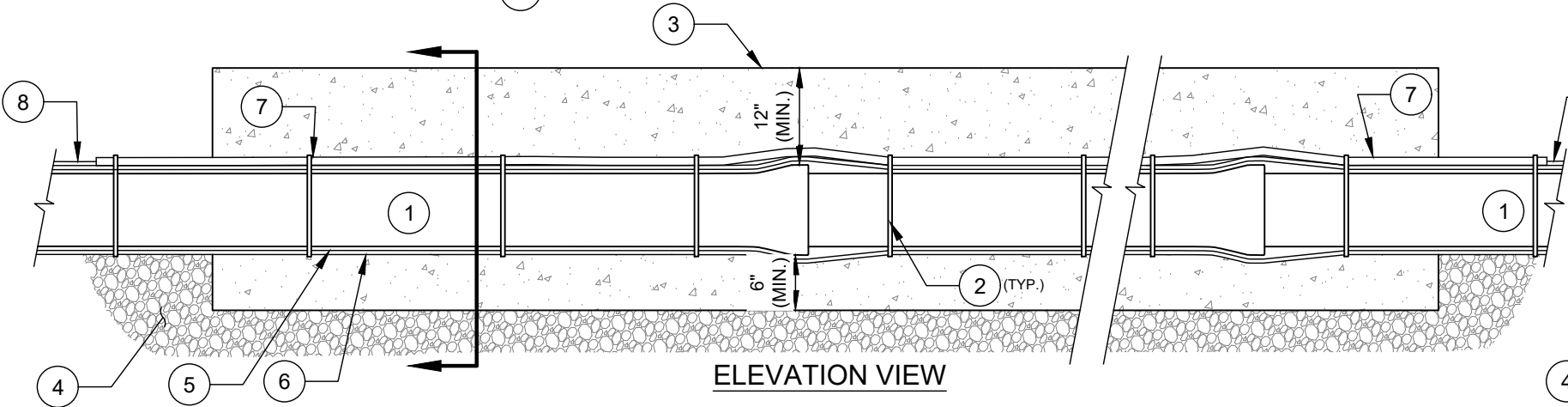
1. DUCTILE IRON PIPE.
2. HDPE ADHESIVE TAPE OR HDPE ZIPLOCK TIE.
3. CONCRETE ENCASEMENT ($f'c = 3,600$ PSI MIN.).
4. STONE STABILIZATION MATERIAL - AS REQUIRED.
5. HIGH DENSITY CROSS LAMINATED POLYETHYLENE FILM (HDCLPE) - 4 MILS - TUBE - AWWA C105.
6. HIGH DENSITY CROSS LAMINATED POLYETHYLENE FILM (HDCLPE) - 4 MILS - TUBE - AWWA C105.
7. 1" DIAMETER SCH. 40 STEEL ELECTRICAL CONDUIT.
8. AWG #12 GAUGE SOLID COPPER TRACER WIRE WITH BLUE INSULATION - (30 MILS HDPE).

NOTES:

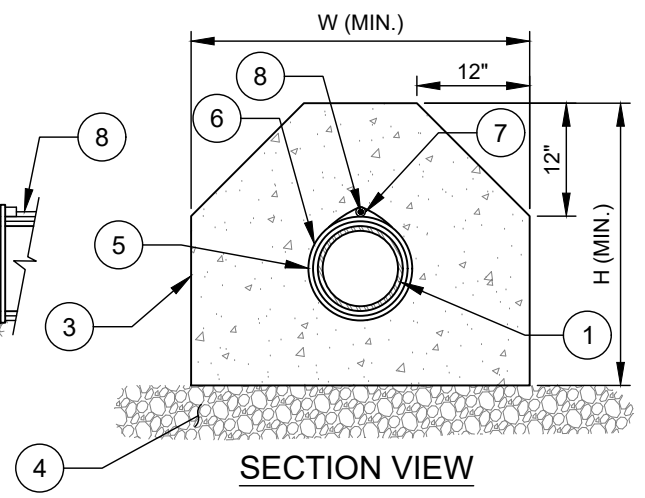
- A. CONCRETE ENCASEMENT SHALL ONLY BE INSTALLED WHERE SHOWN ON APPROVED PLANS OR WITH PRIOR APPROVAL BY CLTW ENGINEER.
- B. THIS RESTRICTION IS IN PLACE DUE TO THE INABILITY TO EASILY MAINTAIN / REPAIR OR TAP A MAIN ENCASED IN CONCRETE.



PLAN VIEW



ELEVATION VIEW



SECTION VIEW