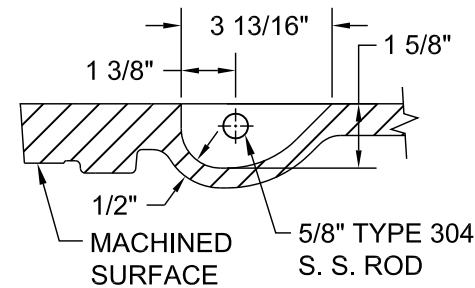
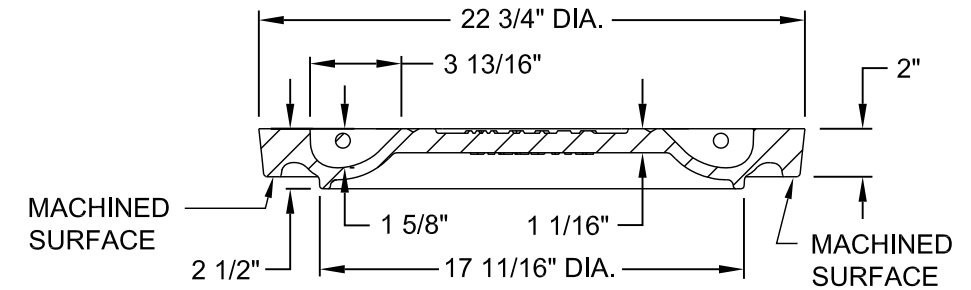
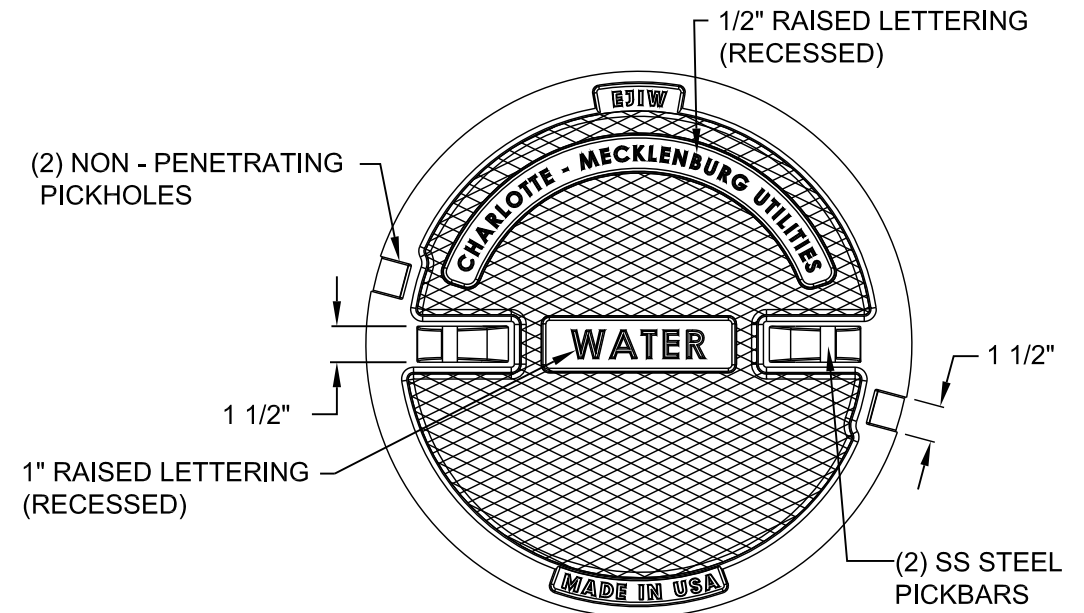


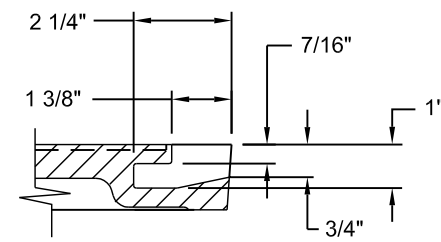
WEIGHT - 130 LB. MIN. , 0% MINUS TOLERANCE

NOTES:

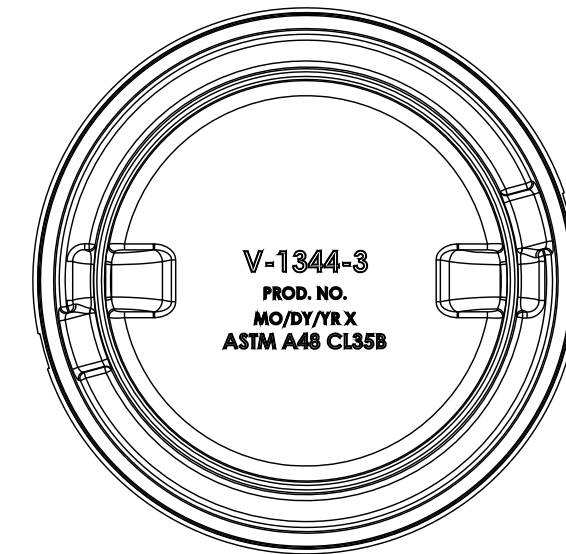
LOAD RATING - HEAVY DUTY
 MATERIAL - ASTM A48 - CLASS 35 GRAY IRON
 COATING - UNDIPPED



PICK BAR DETAIL



PICK HOLE DETAIL



WEIGHT - 130 LB. MIN. , 0% MINUS TOLERANCE

USE WITH TYPE F OR G FRAME
 COVER SHALL CONFORM TO DIMENSION AND WEIGHT REQUIREMENTS.
 COVER SHALL NOT BE OUT OF ROUND.

NO SCALE

STANDARD NO.

SS

VERSION NO. V1.0

VERSION DATE 8.3.2011

TYPE 6 MANHOLE COVER
 20.5 - INCH DIAMETER (CLEAR OPENING)
 USE WITH 16 - INCH AND LARGER VALVES

CHARLOTTE-MECKLENBURG UTILITIES

STANDARD DETAILS WATER

