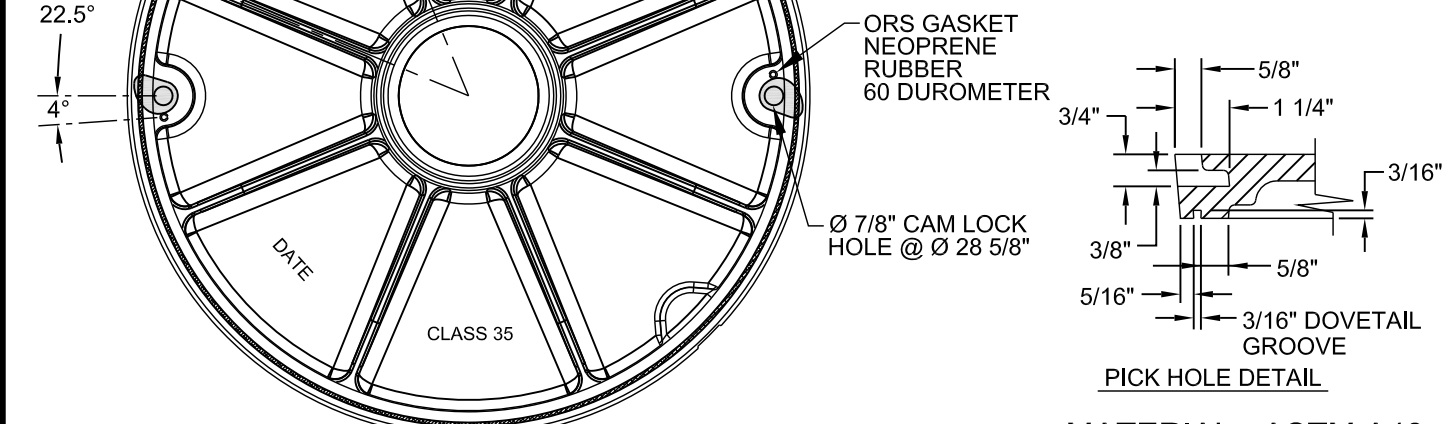
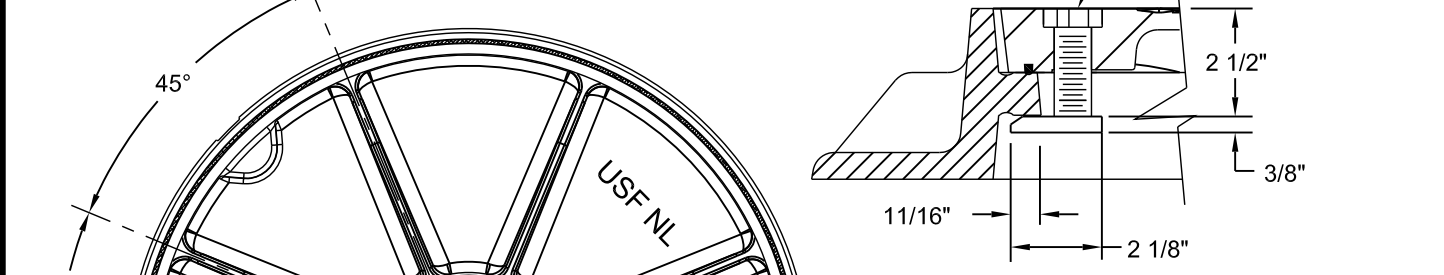
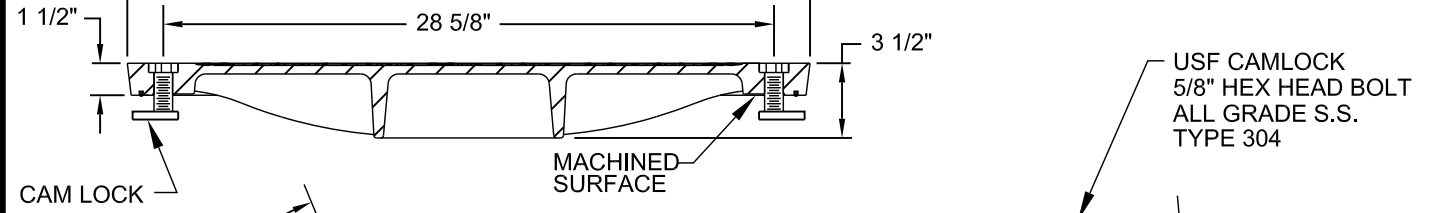
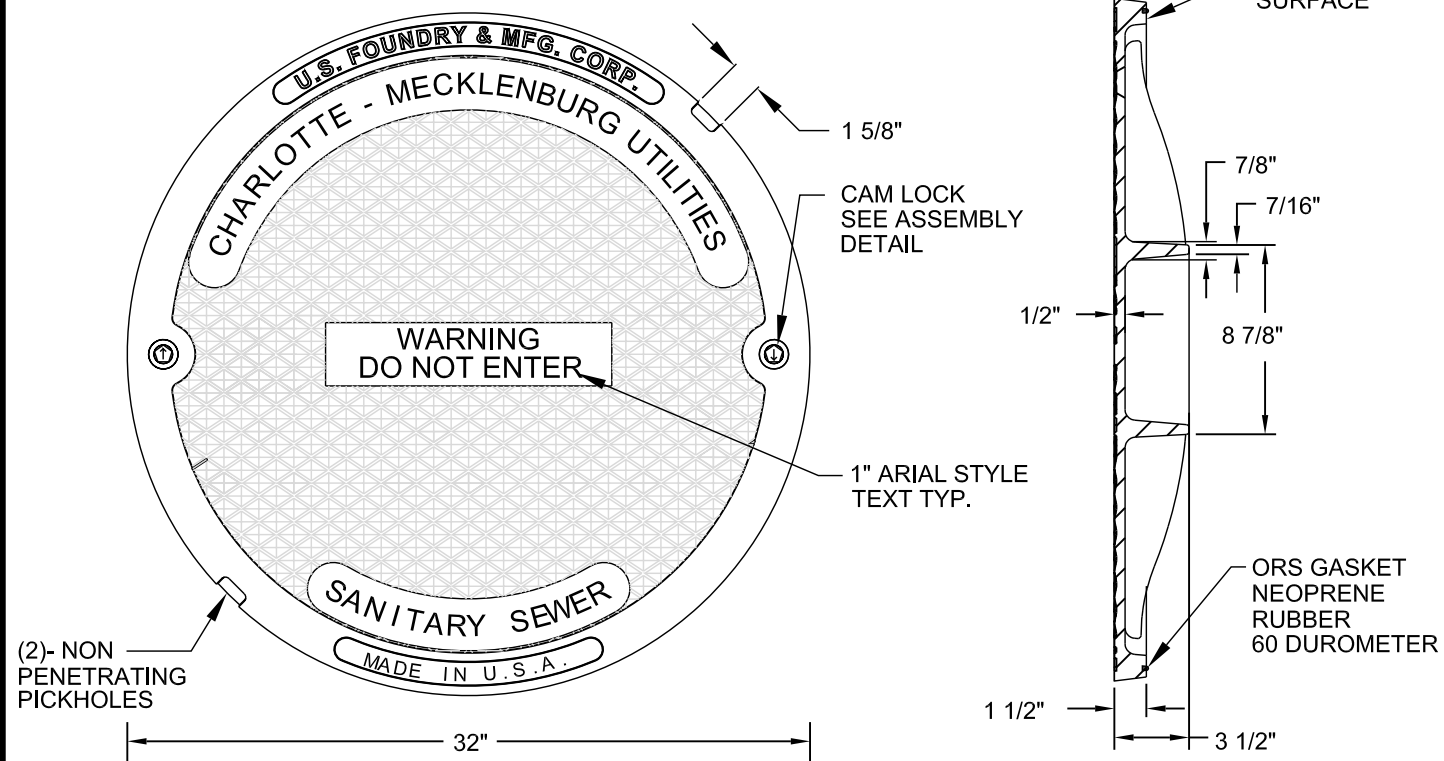


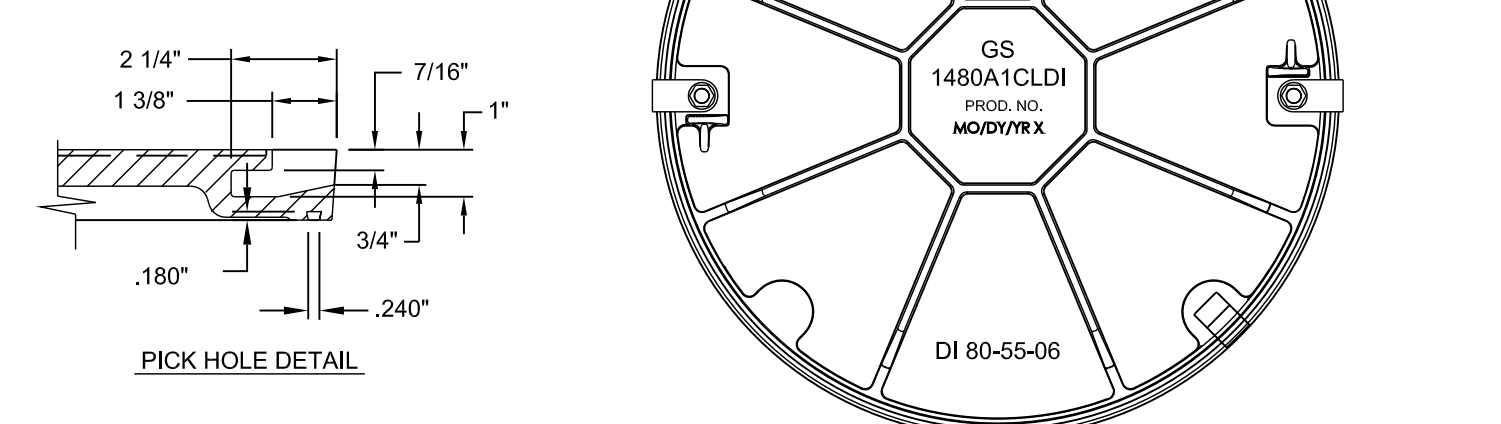
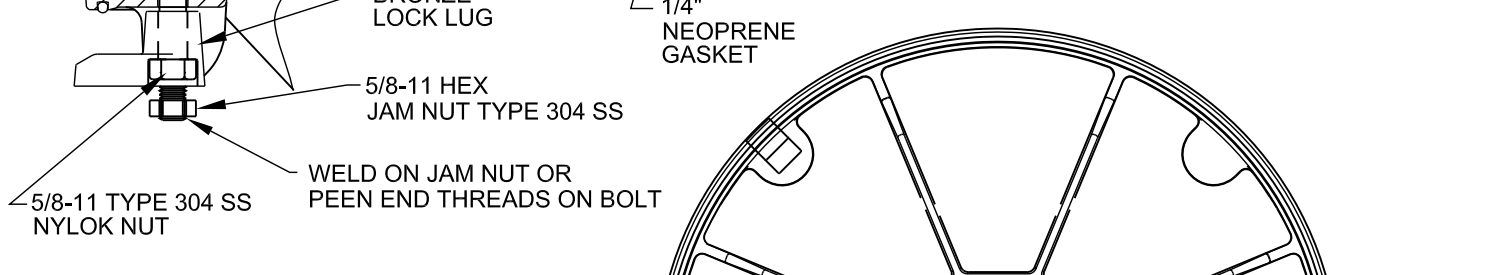
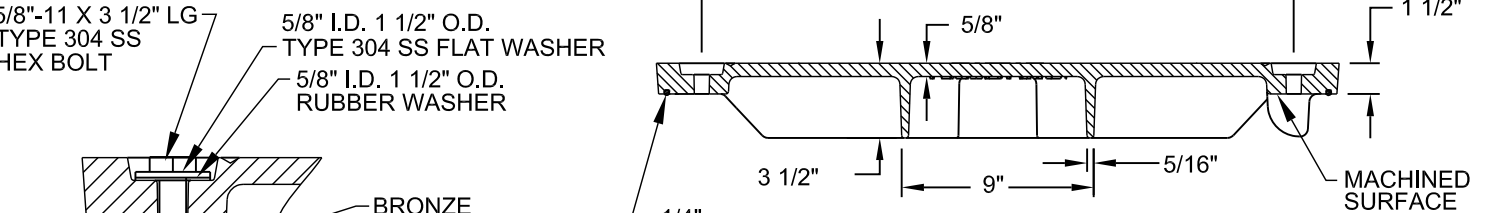
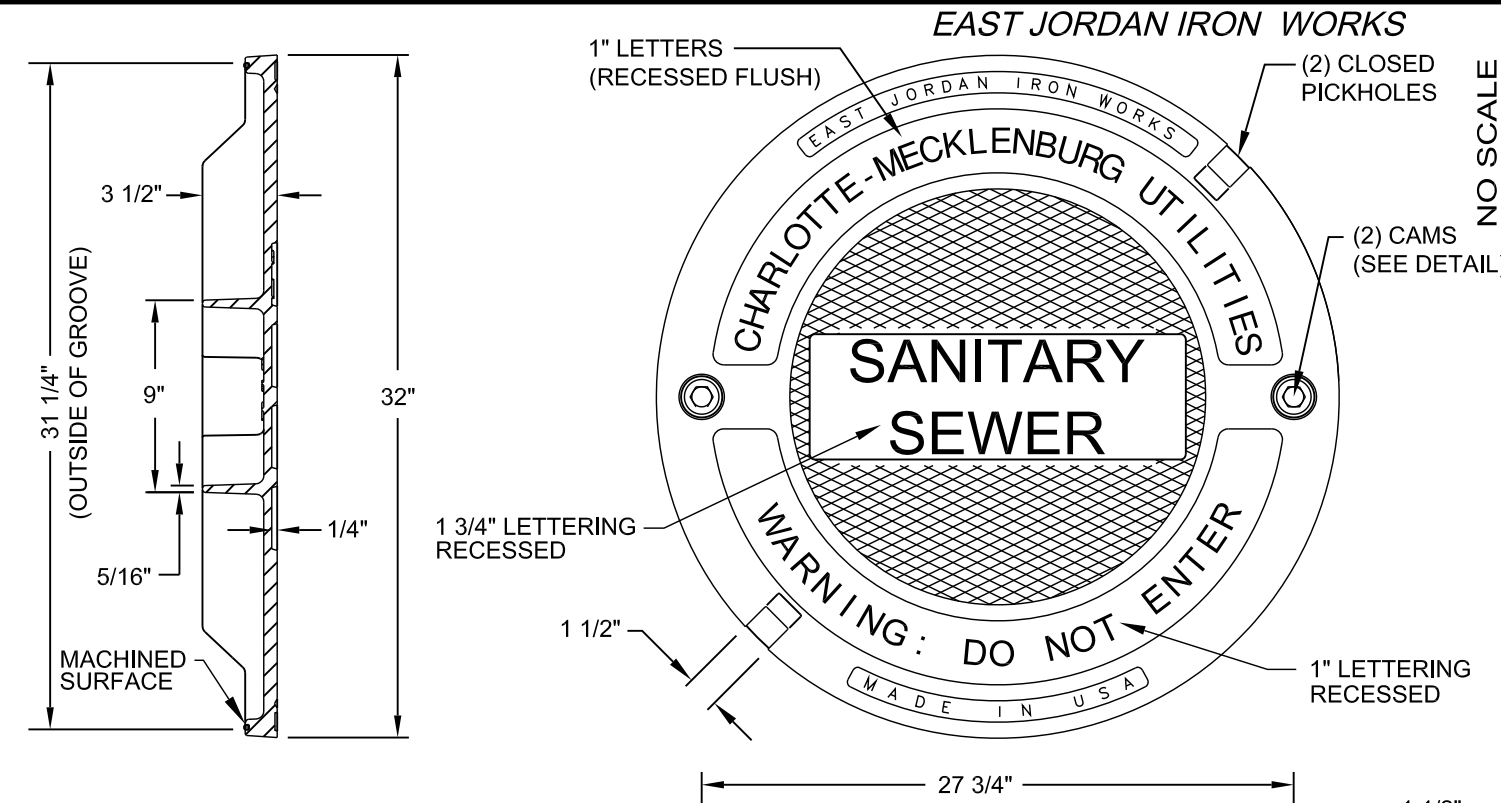
U.S. FOUNDRY & MFG. CORP.



WEIGHT - 165 LB. MIN., 0% MINUS TOLERANCE

MATERIAL - ASTM A48 CLASS 35

NOTES:
 LOAD RATING - HEAVY DUTY
 MATERIAL - DUCTILE OR CAST IRON AS INDICATED ABOVE
 COATING - UNDIPPED



WEIGHT - 150 LB. MIN., 0% MINUS TOLERANCE

MATERIAL - ASTM A536 DUCTILE IRON - GRADE 80-55-06

USE WITH TYPE D OR E FRAME
 COVER SHALL CONFORM TO DIMENSION AND WEIGHT REQUIREMENTS.
 COVER SHALL NOT BE OUT OF ROUND.

STANDARD NO.	E
VERSION NO.	V1.2
VERSION DATE	9.23.2009

NO SCALE

TYPE 5 MANHOLE COVER
 30-INCHES DIAMETER (CLEAR OPENING)
 WATERTIGHT - NO VENT HOLE, GASKET, CAM LOCK

CHARLOTTE-MECKLENBURG UTILITIES
 STANDARD DETAILS
 GRAVITY SEWER

