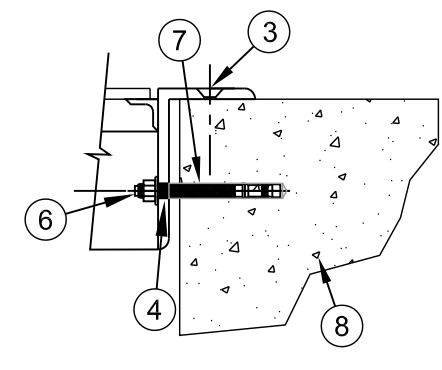
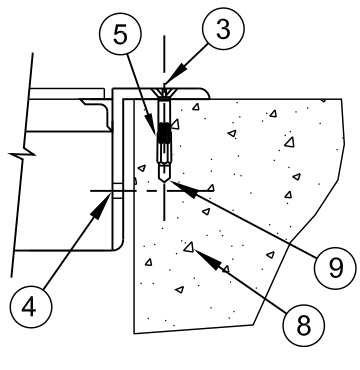
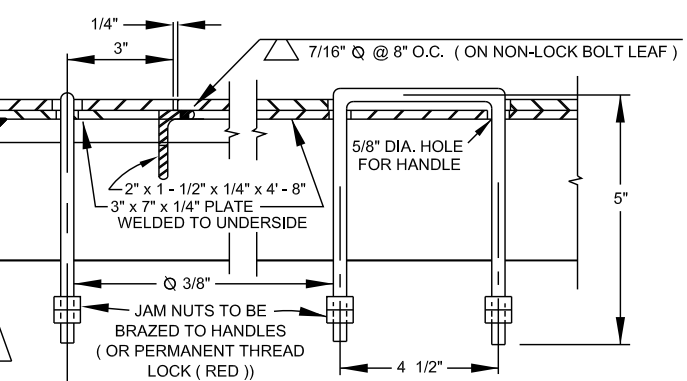
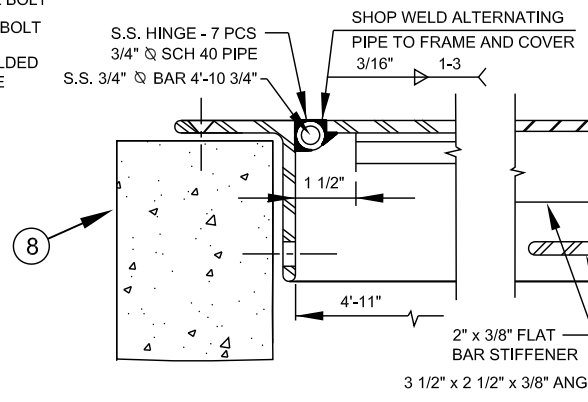
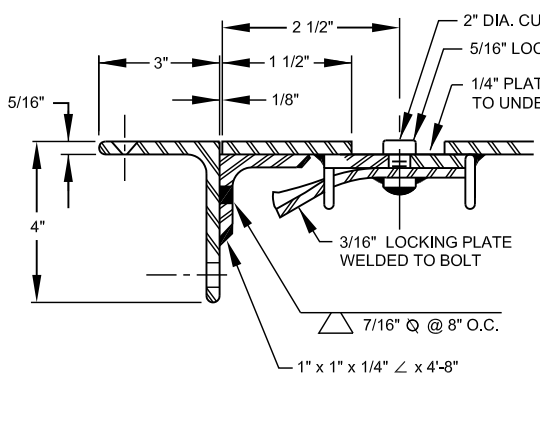


- | NO. | DESCRIPTION |
|-----|---|
| 1. | ERT TRANSMITTER SUPPORT BRACKET. (SEE STANDARD DETAIL) |
| 2. | 2 - INCH LETTERING MILLED INTO DOOR LEAF. |
| 3. | 7/16 - INCH DIA. DRILLED HOLE (COUNTERSINK) 10 EACH |
| 4. | 9/16 - INCH DIA. DRILLED HOLE (10 EACH) |
| 5. | 3/8 - INCH DIA. x 2 - 7/8 INCH STAINLESS STEEL ANCHOR. (REDHEAD DYNABOLT # SFS - 3826 OR HILTI HLC SLEEVE ANCHOR # HLC - FPH) |
| 6. | 1/2 - INCH DIA. x 4 - 1/2 - INCH DRIVE-IN EXPANSION ANCHOR OR EPOXY ADHESIVE ANCHOR - (RED HEAD, HILTI OR APPROVED EQUAL) |
| 7. | 1/2 - INCH DIA. DRILLED HOLE - IN CONCRETE. |
| 8. | CONCRETE VAULT OR PEDESTRIAN SIDEWALK. |
| 9. | 3/8 - INCH DIA. DRILLED HOLE - IN CONCRETE. |
| 10. | WATER METER ERT TRANSMITTER. |
| 11. | SLAM LOCK/THREADED PLUG / REMOVABLE KEY / INSIDE HANDLE. |
| 12. | RECESSED PADLOCK ASSEMBLY (STANDARD SIZE) WITH STAPLE / SPRING LOADED HINGED LID. |
| 13. | OPEN COMPRESSION SPRING ASSEMBLY (# AS REQUIRED) - HORIZONTALLY MOUNTED. |
| 14. | PADLOCK TO BE FURNISHED BY CMUD. |
| 15. | AUTOMATIC HOLD OPEN ARM WITH VINYL GRIP. |

- DESIGN REQUIREMENTS**
- A. MATERIAL - STRUCTURAL STEEL - ASTM A-36.
 - B. LIVE LOAD - 300 LBS / SQ. FT. - PEDESTRIAN LOADING. MAXIMUM DEFLECTION 1/150 TH. OF SPAN.
 - C. DOOR LEAF - 3/8 - INCH THICK DIAMOND PLATE.
 - D. COMPRESSION SPRINGS AND HOLD OPEN ARM REQUIRED ON EACH LEAF.
 - E. SLAM LOCK / HOLD OPEN ARM - STAINLESS STEEL - TYPE 300.
 - F. COMPRESSION SPRING ASSEMBLY - STAINLESS STEEL - TYPE 300.
 - G. FORCE REQUIRED TO OPEN LEAF (W / SPRINGS) SHALL BE MINUS 5 LBS MINIMUM AND 20 LBS MAXIMUM.
 - E. HINGE (PIPE AND BAR) - TYPE 304 STAINLESS STEEL.

- NOTE:**
- a. FRAME SHALL BE FURNISHED WITH ANCHOR HOLES NO. 3 AND NO. 4.
 - b. CONTRACTOR SHALL ANCHOR FRAME USING ANCHOR HOLES NO. 3 OR NO. 4 - AS APPROVED. (OPTION ONE OR OPTION TWO)
 - c. FRAME AND COVER TO BE SHOP COATED WITH ZINC CHROMATE PRIMER AND ONE COAT OF BLACK ENAMEL. FIELD APPLY ONE COAT OF COMPATIBLE BLACK ENAMEL AT FINAL INSPECTION.
 - d. FRAME DIMENSIONS SHALL ALLOW FOR CLOSE FIT INSIDE VAULT AS SHOWN AT TOP OF VAULT WALLS.
 - e. STIFFENER TO BE WELDED TO BACK OF ACCESS DOOR USING WELD PATTERN AS SHOWN.
 - f. COMPRESSION SPRING ASSEMBLY SHALL BE DESIGNED BY MANUFACTURER TO CONFORM TO LIFTING FORCE REQUIREMENTS. - NUMBER OF SPRINGS AS REQUIRED.

WARNING NOTE:
 THIS DOOR IS NOT TO BE USED IN OR ADJACENT TO DRIVEWAYS OR ANY AREA SUBJECT TO VEHICLE WHEEL LOADS, OR ANY LOAD GREATER THAN 300 PSF.



DETAIL A - LOCKING BOLT (1 EA)

DETAIL B HINGE

DETAIL C HANDLE (4)

DETAIL D HANDLE

ANCHOR DETAIL
OPTION 1

ANCHOR DETAIL
OPTION 2

NO SCALE

STANDARD NO. V	VERSION DATE 8.24.2011
VERSION NO. V1.2	

STEEL DOUBLE LEAF ACCESS DOOR - 5' x 5' PEDESTRIAN LOADING (300 PSF) FOR WATER METER VAULTS

CHARLOTTE-MECKLENBURG UTILITIES

STANDARD DETAILS

WATER

CHARLOTTE