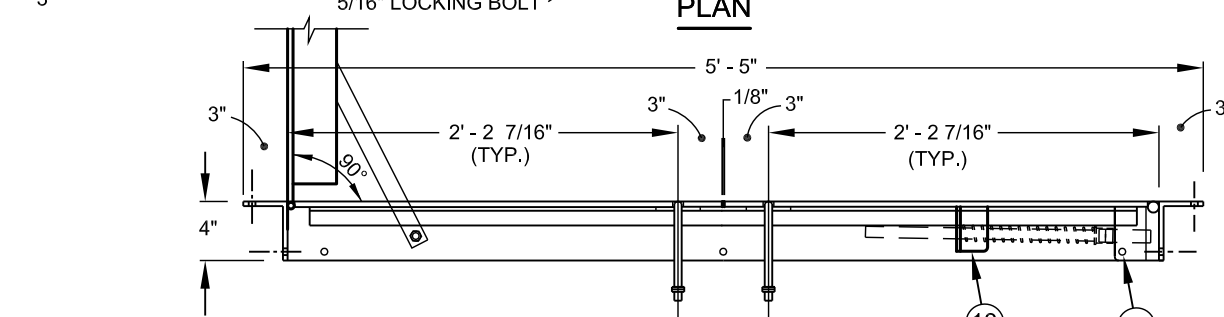
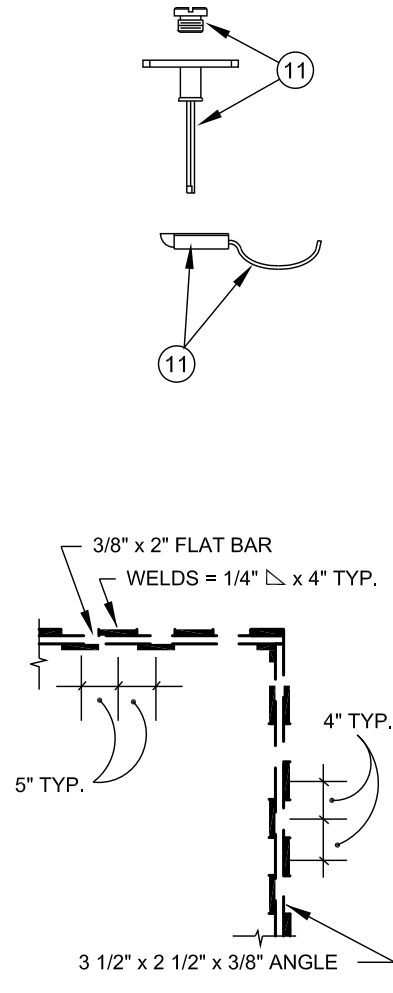


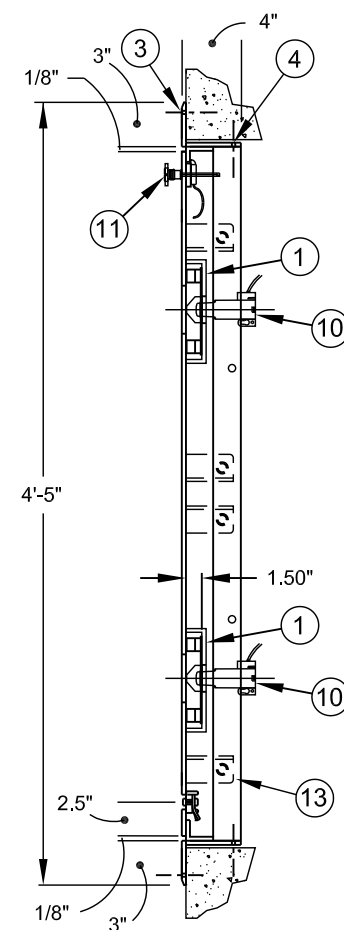
PLAN



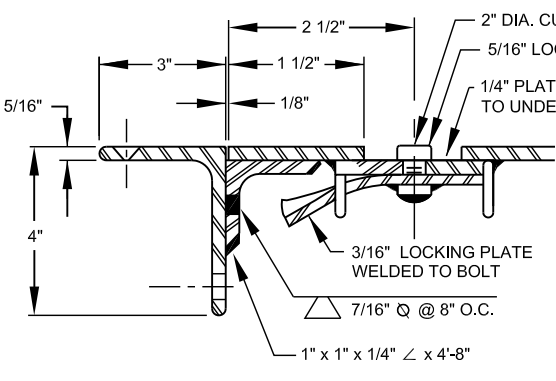
SECTION FRONT



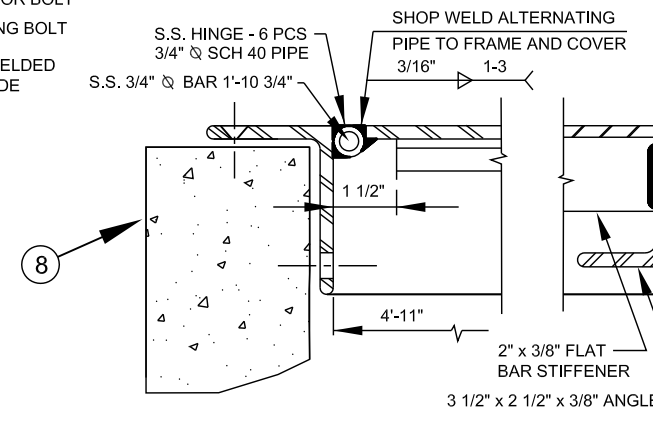
STIFFENER WELD DETAIL "F"



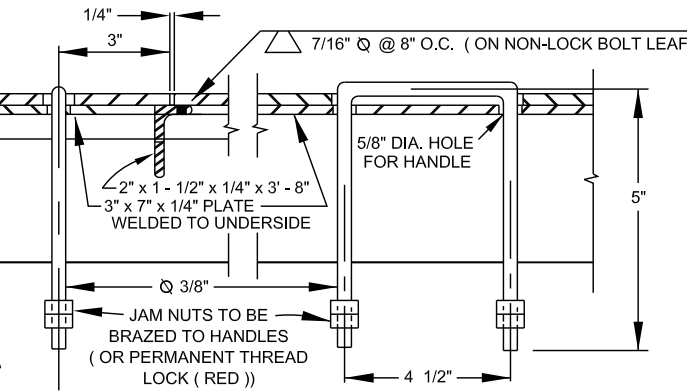
SECTION SIDE



DETAIL A - LOCKING BOLT (1 EA)

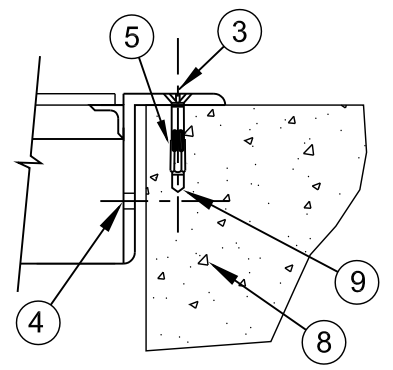


DETAIL B HINGE

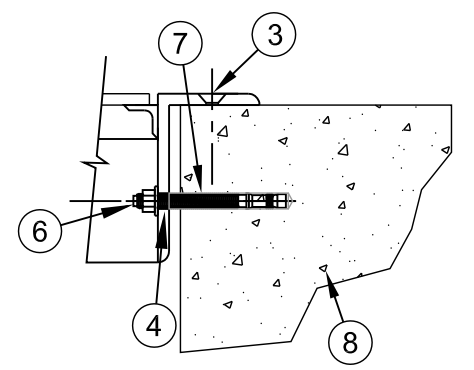


DETAIL C HANDLE (4)

DETAIL D HANDLE



ANCHOR DETAIL
OPTION 1



ANCHOR DETAIL
OPTION 2

NO. DESCRIPTION

1. ERT TRANSMITTER SUPPORT BRACKET. (SEE STANDARD DETAIL)
2. 2 - INCH LETTERING MILLED INTO DOOR LEAF.
3. 7/16 - INCH DIA. DRILLED HOLE (COUNTERSINK) 10 EACH
4. 9/16 - INCH DIA. DRILLED HOLE (10 EACH)
5. 3/8 - INCH DIA. x 2 - 7/8 INCH STAINLESS STEEL ANCHOR. (REDHEAD DYNABOLT # SFS - 3826 OR HILTI HLC SLEEVE ANCHOR # HLC - FPH 3/8 - INCH x 2 - 7/8 INCH STAINLESS STEEL OR APPROVED EQUAL)
6. 1/2 - INCH DIA. x 4 - 1/2 - INCH DRIVE-IN EXPANSION ANCHOR OR EPOXY ADHESIVE ANCHOR - (RED HEAD, HILTI OR APPROVED EQUAL)
7. 1/2 - INCH DIA. DRILLED HOLE IN CONCRETE.
8. CONCRETE VAULT OR PEDESTRIAN SIDEWALK.
9. 3/8 - INCH DIA. DRILLED HOLE - IN CONCRETE.
10. WATER METER ERT TRANSMITTER.
11. SLAM LOCK/THREADED PLUG / REMOVABLE KEY / INSIDE HANDLE.
12. RECESSED PADLOCK ASSEMBLY (STANDARD SIZE) WITH STAPLE / SPRING LOADED HINGED LID.
13. OPEN COMPRESSION SPRING ASSEMBLY (# AS REQUIRED) - HORIZONTALLY MOUNTED.
14. PADLOCK TO BE FURNISHED BY CMUD.
15. AUTOMATIC HOLD OPEN ARM WITH VINYL GRIP.

DESIGN REQUIREMENTS

- A. MATERIAL - STRUCTURAL STEEL - ASTM A-36.
- B. LIVE LOAD - 300 LBS / SQ. FT. - PEDESTRIAN LOADING. MAXIMUM DEFLECTION 1/150 TH. OF SPAN.
- C. DOOR LEAF - 3/8 - INCH THICK DIAMOND PLATE.
- D. COMPRESSION SPRINGS AND HOLD OPEN ARM REQUIRED ON EACH LEAF.
- E. SLAM LOCK / HOLD OPEN ARM - STAINLESS STEEL - TYPE 300.
- F. COMPRESSION SPRING ASSEMBLY - STAINLESS STEEL - TYPE 300.
- G. FORCE REQUIRED TO OPEN LEAF (W / SPRINGS) SHALL BE MINUS 5 LBS MINIMUM AND 20 LBS MAXIMUM.
- H. HINGE (PIPE AND BAR) - TYPE 304 STAINLESS STEEL.

NOTE:

- a. FRAME SHALL BE FURNISHED WITH ANCHOR HOLES NO. 3 AND NO. 4.
- b. CONTRACTOR SHALL ANCHOR FRAME USING ANCHOR HOLES NO. 3 OR NO. 4 - AS APPROVED. (OPTION ONE OR OPTION TWO)
- c. FRAME AND COVER TO BE SHOP COATED WITH ZINC CHROMATE PRIMER AND ONE COAT OF BLACK ENAMEL. FIELD APPLY ONE COAT OF COMPATIBLE BLACK ENAMEL AT FINAL INSPECTION.
- d. FRAME DIMENSIONS SHALL ALLOW FOR CLOSE FIT INSIDE VAULT AS SHOWN AT TOP OF VAULT WALLS.
- e. STIFFENER TO BE WELDED TO BACK OF ACCESS DOOR USING WELD PATTERN AS SHOWN.
- f. COMPRESSION SPRING ASSEMBLY SHALL BE DESIGNED BY MANUFACTURER TO CONFORM TO LIFTING FORCE REQUIREMENTS. - NUMBER OF SPRINGS AS REQUIRED.

WARNING NOTE:

THIS DOOR IS NOT TO BE USED IN OR ADJACENT TO DRIVEWAYS OR ANY AREA SUBJECT TO VEHICLE WHEEL LOADS, OR ANY LOAD GREATER THAN 300 PSF.

| | | | |
|--------------|------|--------------|-----------|
| STANDARD NO. | U | VERSION DATE | 8.24.2011 |
| VERSION NO. | V1.2 | | |

NO SCALE

STEEL DOUBLE LEAF ACCESS DOOR - 4' x 5'
PEDESTRIAN LOADING (300 PSF) FOR
WATER METER VAULTS

CHARLOTTE-MECKLENBURG
UTILITIES

STANDARD DETAILS
WATER

