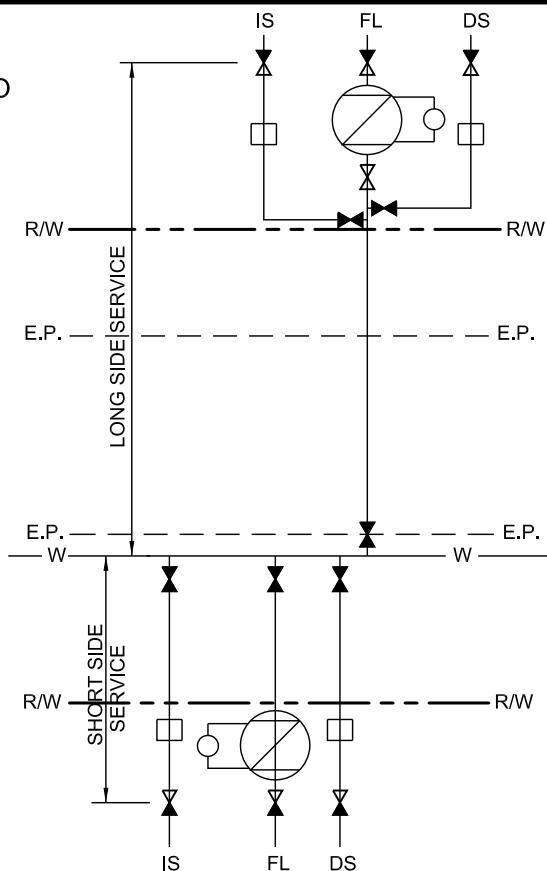
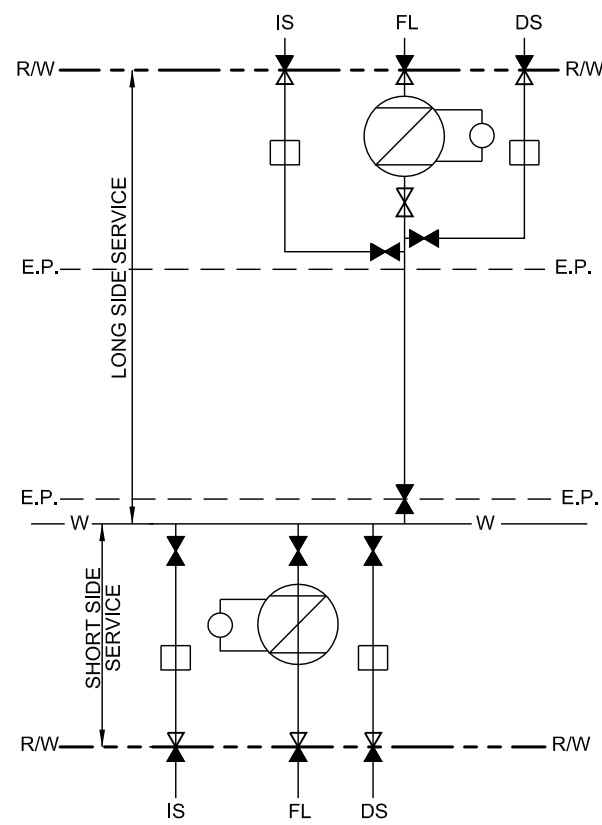


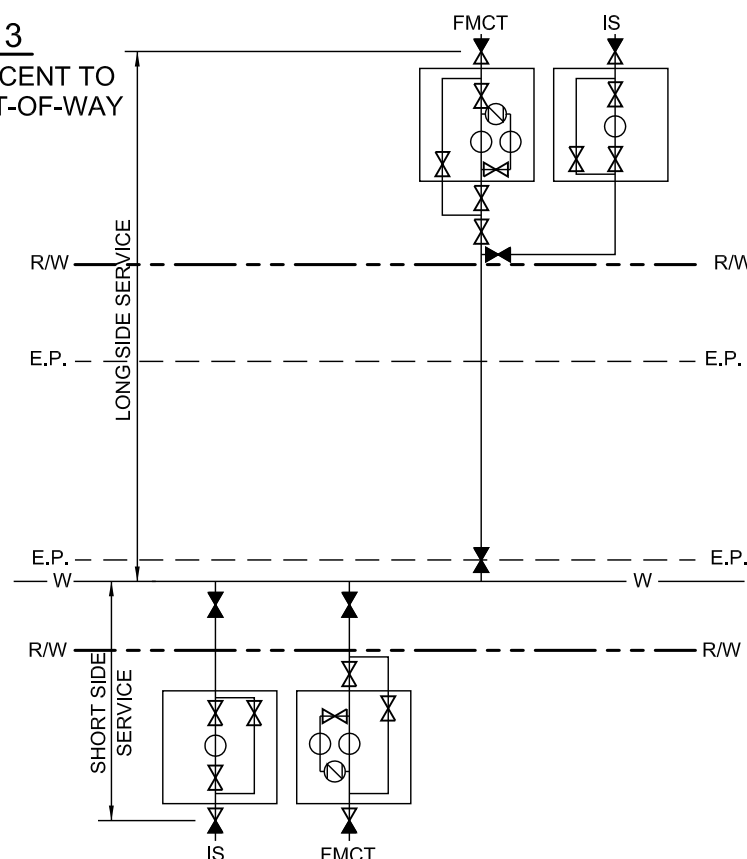
TYPE 1
METERS ADJACENT TO ROAD RIGHT-OF-WAY



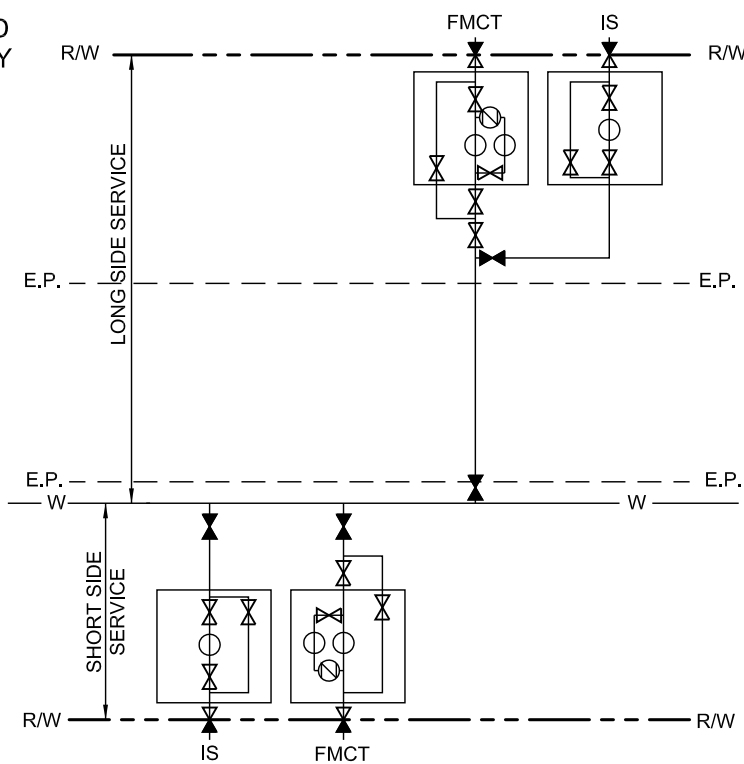
TYPE 2
METERS IN ROAD RIGHT-OF-WAY



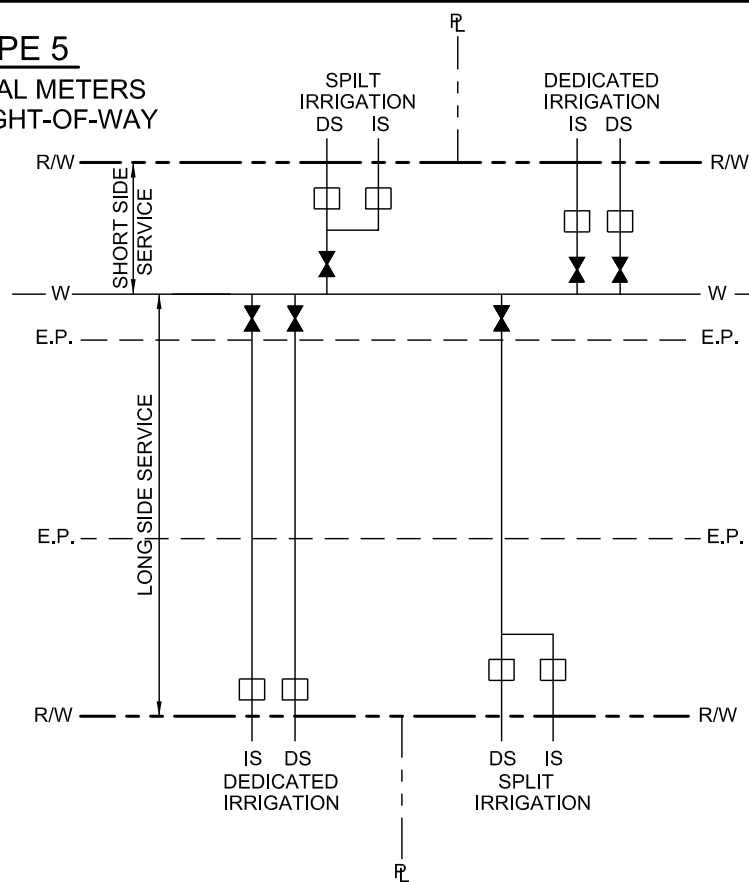
TYPE 3
FMCT ADJACENT TO ROAD RIGHT-OF-WAY



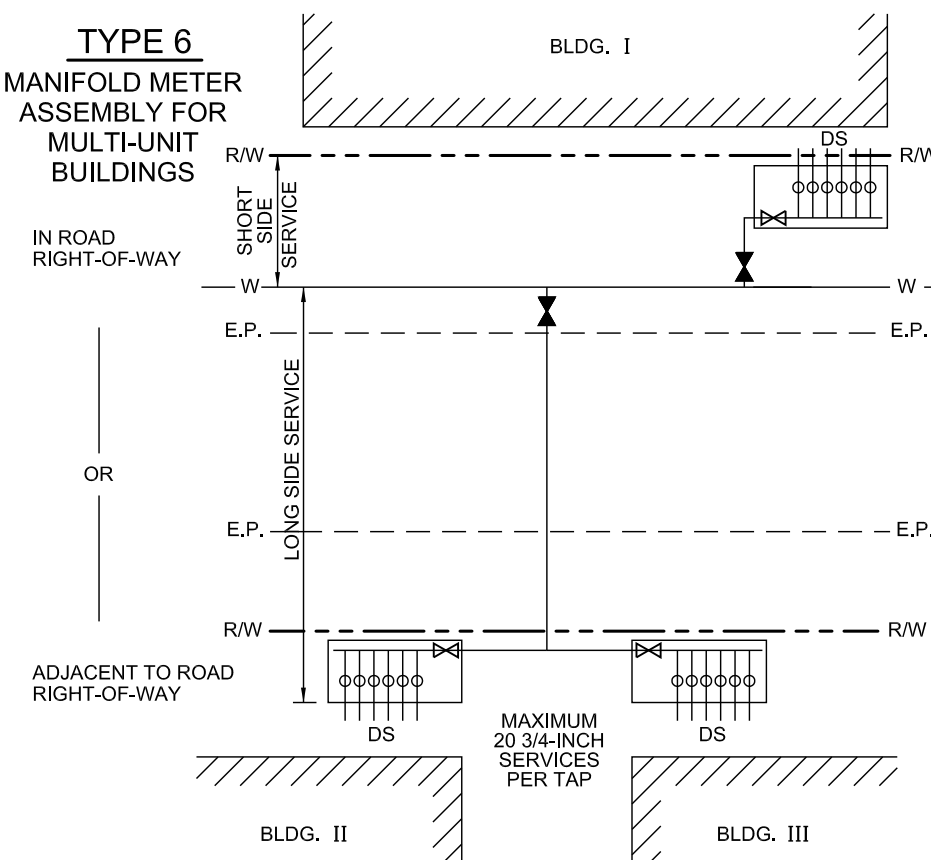
TYPE 4
FMCT IN ROAD RIGHT-OF-WAY



TYPE 5
RESIDENTIAL METERS IN ROAD RIGHT-OF-WAY



TYPE 6
MANIFOLD METER ASSEMBLY FOR MULTI-UNIT BUILDINGS



LEGEND / NOTE:

- IS = LAWN IRRIGATION SERVICE
- DS = DOMESTIC POTABLE WATER SERVICE
- FL = FIRE LINE SERVICE WITH DETECTOR METER
- FMCT = FACTORY MUTUAL COMPOUND TYPE / FIRE MAIN COMPOUND TYPE

- = FOR 3/4" - 2" SERVICE - TAPPING SADDLE AND BALL CORPORATION STOP - CC (TAPER) THREAD.
- = FOR 3" - 12" SERVICE - TAPPING SLEEVE AND TAPPING GATE VALVE (FL x MJ) FOR EXISTING WATER MAINS OR TEE AND GATE VALVE (RESTRAINED) FOR NEW MAINS.
- = GATE VALVE OR BALL VALVE - SEE METER DETAILS

- = PROPERTY LINE VALVE - FOR 3/4"-1" - NOT REQUIRED, FOR 1 1/2"-2" - BALL VALVE CURB STOP, OR FOR 3"-12" - OPEN LEFT MJ GATE VALVE (RESTRAINED).
- ALL PIPE SHALL BE RESTRAINED FROM MAIN TO PROPERTY LINE VALVE - 3/4"-2" SHALL BE TYPE K COPPER, 3"-12" SHALL BE DUCTILE IRON. SEE INDIVIDUAL METER STD DETAILS FOR SPECIFIC COMPONENT REQUIREMENTS.

NO SCALE

STANDARD NO. J
VERSION NO. 1.2
VERSION DATE 08.25.2010

MULTIPLE WATER SERVICES - SCHEMATIC

CHARLOTTE-MECKLENBURG UTILITIES
STANDARD DETAILS
WATER



CHARLOTTE