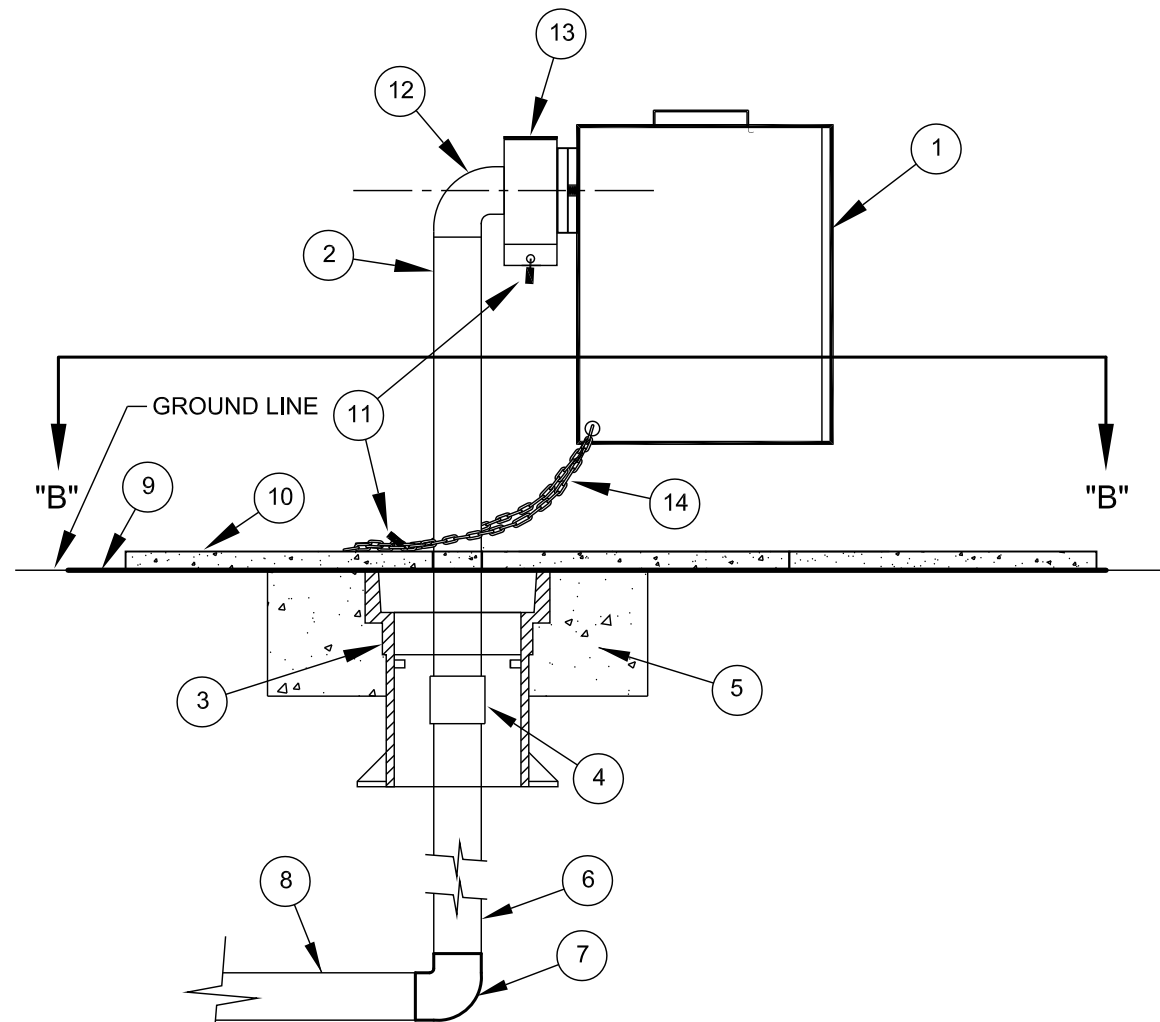
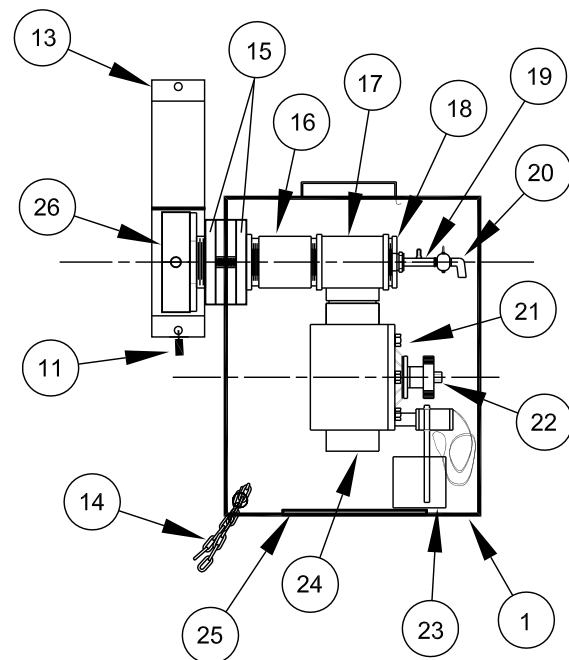


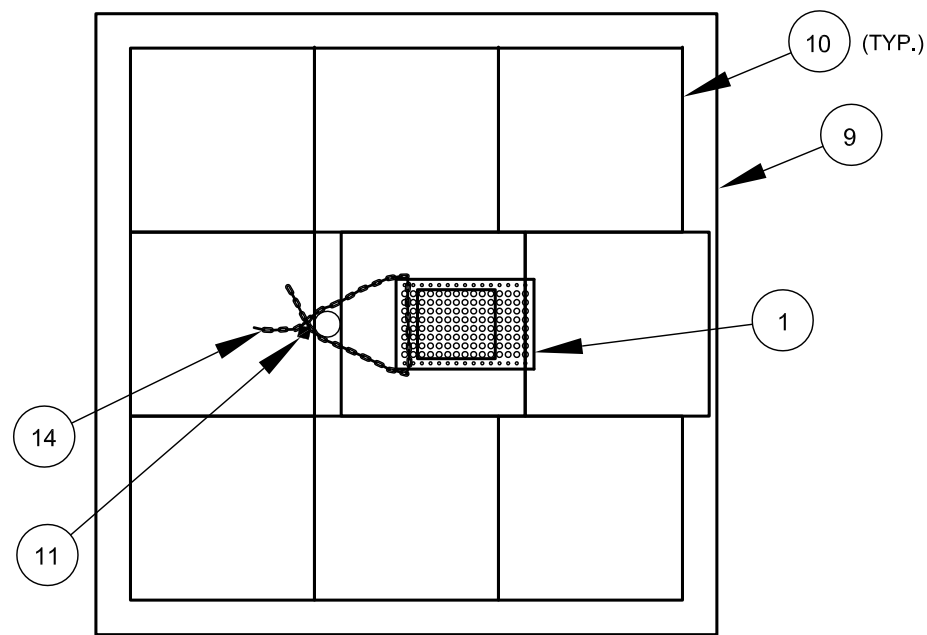
**SIDE ELEVATION**



**FRONT ELEVATION**



**SECTION "A"- "A"**



**SECTION "B"- "B"**

**NO. DESCRIPTION**

- 1 KUPFERLE #9700-Y HYDRANT AUTO FLUSHER - YELLOW (INCLUDES #15-26)
- 2 2" GALVANTIZED STEEL PIPE (SCH 80)
- 3 TOP SECTION WATER VALVE BOX
- 4 2" RED BRASS COUPLING (SCH 40)
- 5 18"x18"x6" CONCRETE PAD
- 6 2" RED BRASS PIPE (SCH 40)
- 7 2" 90° RED BRASS BEND (SCH 40)
- 8 2" RED BRASS PIPE (SCH 40)
- 9 6 MIL. HDPE PLASTIC FILM (54"x54")
- 10 16"x16"x2" PATIO PAVERS CONCRETE (9 EACH)
- 11 PAD LOCK (MASTERLOCK #??, KEY #??)
- 12 KUPFERLE #X707 2" MIP x 2" MJ ADAPTER
- 13 LOCKING NOZZLE COLLAR - KUPFERLE #9708-Y
- 14 CAMPBELL BLU-KROME 1/4" PROOF COIL CHAIN 5 LF
- 15 KUPFERLE ADAPTER
- 16 2" THREADED NIPPLE
- 17 2"x2"x2" TEE FIP THREAD
- 18 PLUG/TAP
- 19 WATER SAMPLE VALVE
- 20 BRASS SAMPLING BIBB
- 21 2" SOLENOID CONTROL VALVE; P-220 SERIES
- 22 MANUAL FLOW CONTROL KNOB
- 23 HUNTER DIGITAL PROGRAMMABLE CONTROLLER WITH 9 VOLT LITHIUM BATTERY
- 24 2" FIP OUTLET (MAYBE HARD PIPED FOR DISCHARGES)
- 25 REMOVABLE DIFFUSER PLATE WITH 4 BOLTS / NUTS
- 26 2 1/2" FIRE HYDRANT NOZZLE COUPLING

**NOTES**

- A AUTO FLUSHER IS INTENDED FOR WARM WEATHER USE. ASSEMBLY SHOULD BE REMOVED DURING COLD WEATHER MONTHS TO AVOID DAMAGE DUE TO FREEZING.
- B MANUAL FLUSHING REQUIRED TO MAINTAIN WATER QUALITY DURING COLD WEATHER MONTHS.

NO SCALE

STANDARD NO. B

VERSION NO. 1.1  
VERSION DATE 9.02.2009

**AUTOMATIC FLUSHER - 2" BLOW-OFF**

CHARLOTTE-MECKLENBURG UTILITIES  
STANDARD DETAILS  
WATER

