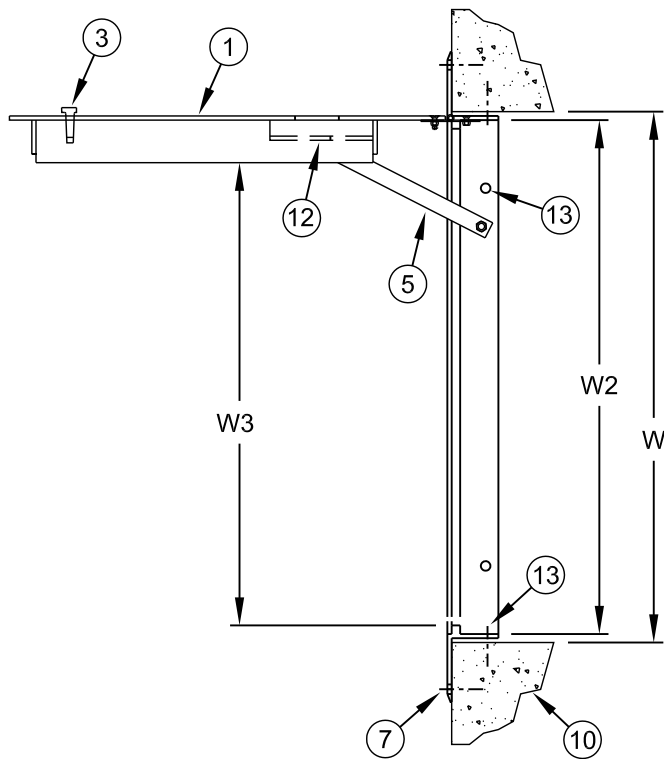
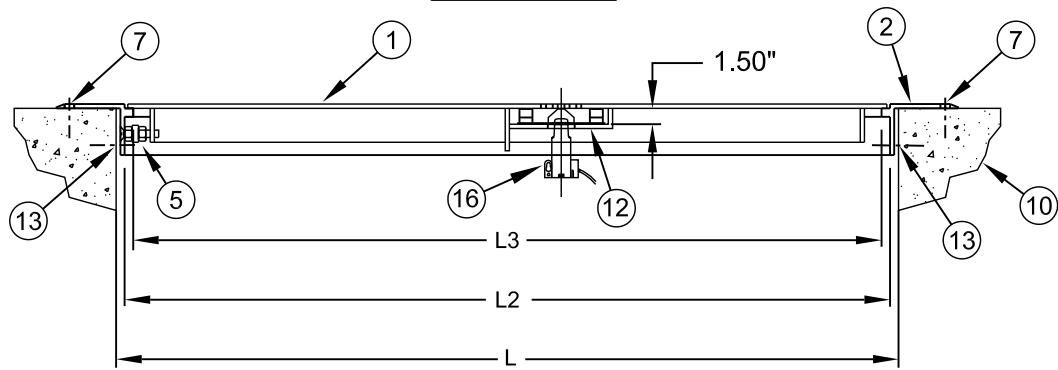


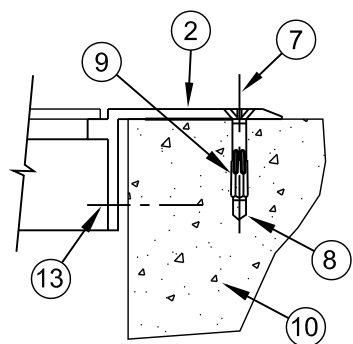
PLAN VIEW



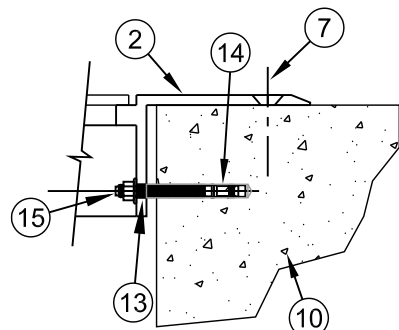
SECTION VIEW SIDE



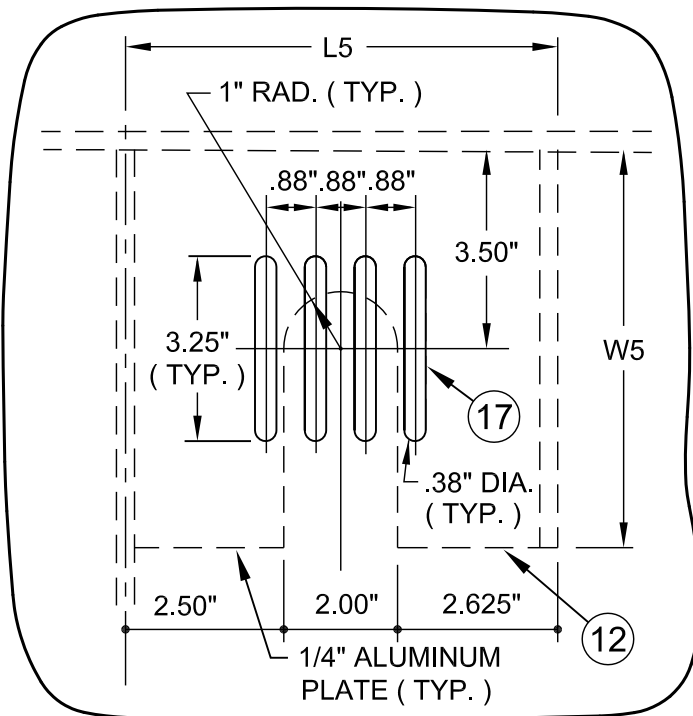
SECTION VIEW FRONT



ANCHOR DETAIL
OPTION 1



ANCHOR DETAIL
OPTION 2



ERT TRANSMITTER SLOT DETAIL
& ERT TRANSMITTER SUPPORT

NO. DESCRIPTION

1. SINGLE DOOR LEAF - REINFORCED.
2. ANGLE DOOR FRAME.
3. FLUSH DROP HANDLE.
4. RECESSED PADLOCK ASSEMBLY (STANDARD SIZE) WITH STAINLESS STEEL STAPLE / SPRING LOADED HINGED LID.
5. AUTOMATIC HOLD OPEN ARM WITH VINYL GRIP.
6. 2 - INCH LETTERING MILLED INTO DOOR LEAF.
7. 7/16 - INCH DIA. DRILLED HOLE (COUNTERSINK) (# AS REQUIRED)
8. 3/8 - INCH DIA. DRILLED HOLE - IN CONCRETE.
9. 3/8 - INCH DIA. x 2 - 7/8 INCH STAINLESS STEEL ANCHOR. (REDHEAD DYNABOLT # SFS - 3826 OR HILTI HLC SLEEVE ANCHOR # HLC - FPH 3/8 - INCH x 2 - 7/8 INCH STAINLESS STEEL OR APPROVED EQUAL)
10. CONCRETE VAULT OR PEDESTRIAN SIDEWALK.
11. PADLOCK TO BE FURNISHED BY CMUD.
12. ERT TRANSMITTER SUPPORT BRACKET.
13. 9/16 - INCH DIAMETER DRILLED HOLE (# AS REQUIRED)
14. 1/2 - INCH DIAMETER DRILLED HOLE IN CONCRETE.
15. 1/2 - INCH DIAMETER x 4 - 1/2 - INCH DRIVE-IN EXPANSION ANCHOR OR EPOXY ADHESIVE ANCHOR - (RED HEAD, HILTI OR APPROVED EQUAL)
16. ERT TRANSMITTER.
17. ERT TRANSMITTER SLOT.

DESIGN REQUIREMENTS

- A. MATERIAL - ALUMINUM - ALLOY TYPE 3004 - H35, ASTM B209 AND B221, EXCEPT AS NOTED.
- B. LIVE LOAD - 300 LBS / SQ. FT. - PEDESTRIAN LOADING. MAXIMUM DEFLECTION 1/150 TH. OF SPAN.
- C. DOOR LEAF - 1/4 - INCH THICK ALUMINUM DIAMOND PLATE.
- D. FINISH - SHOT BLAST DULL GRAY-SLIP RESISTANT MEETING ADA REQUIREMENTS.
- E. HINGE / LOCKNUTS / BOLTS - STAINLESS STEEL - TYPE 316.
- F. HOLD OPEN ARM - STAINLESS STEEL - TYPE 316.
- G. FORCE REQUIRED TO OPEN LEAF SHALL BE 35 LBS. MAXIMUM, WITHOUT SPRING ASSIST.
- H. ACCESS DOOR SHALL BE MODEL APS 300 RETROFIT, AS MANUFACTURED BY U.S.F. FABRICATION, OR APPROVED EQUAL.

NOTE:

- A. FRAME SHALL BE FURNISHED WITH ANCHOR HOLES NO. 7 AND NO. 13.
- B. CONTRACTOR SHALL ANCHOR FRAME USING ANCHOR HOLES NO. 7 OR NO. 13 - AS APPROVED. (OPTION ONE OR OPTION TWO)

WARNING NOTE:

THIS DOOR IS NOT TO BE USED IN OR ADJACENT TO DRIVEWAYS OR ANY AREA SUBJECT TO VEHICLE WHEEL LOADS, OR ANY LOAD GREATER THAN 300 PSF.

DIMENSIONS (INCHES)

| CONC. CLEAR OPENING | | FRAME OPENING | | CLEAR OPENING | | OVERALL FRAME SIZE | | BRACKET LENGTH | BRACKET WIDTH | BASE WT. W/O OPTIONS |
|---------------------|----|---------------|----|---------------|----|--------------------|----|----------------|---------------|----------------------|
| L | W | L2 | W2 | L3 | W3 | L4 | W4 | L5 | W5 | POUNDS |
| 36 | 24 | 35 | 23 | 34 | 20 | 43 | 31 | 7.125 | 7 | 54 |

NO SCALE

| | |
|--------------|-----------|
| STANDARD NO. | Z |
| VERSION NO. | V1.1 |
| VERSION DATE | 5.17.2011 |

ALUMINUM SINGLE LEAF ACCESS DOOR -
PEDESTRIAN LOADING (300 # / SQ. FT.)
FOR 1 1/2 & 2 - INCH WATER METER VAULT

CHARLOTTE-MECKLENBURG
UTILITIES
STANDARD DETAILS
WATER

