

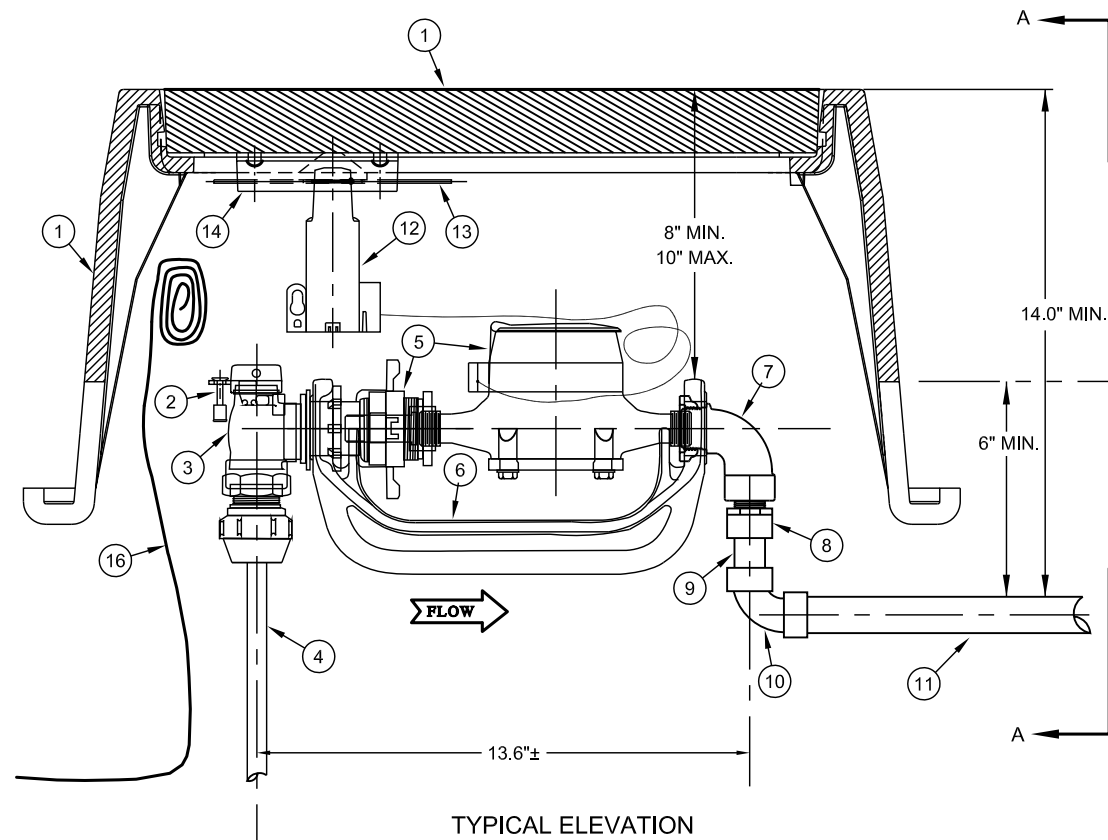
PLAN

**NOTES:**

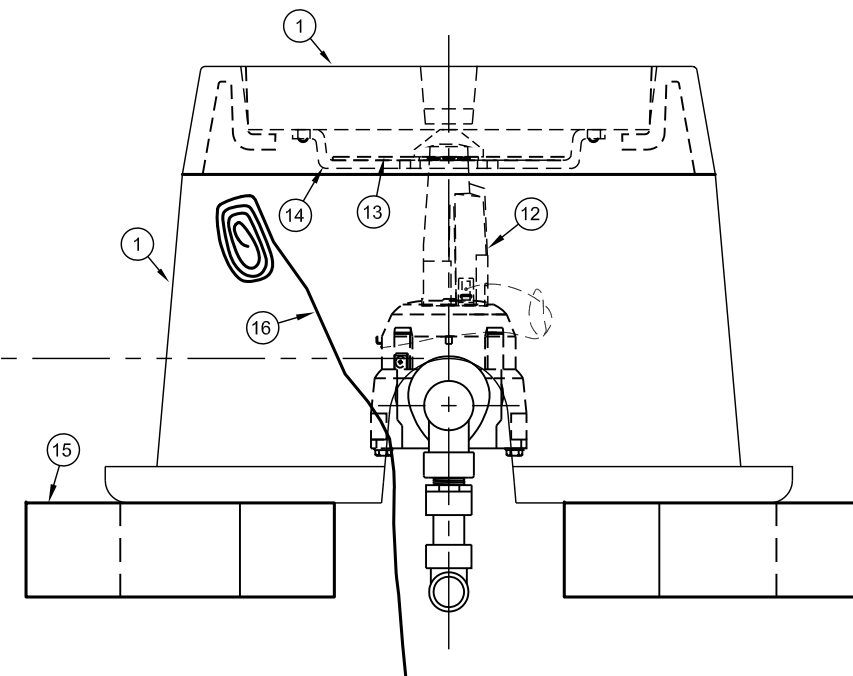
- A. CENTER ANGLE BALL VALVE/90° CONNECTOR ( ③/⑦ ) IN METER BOX.
- B. SHOWN AS 3/4" SERVICE, USE 1" COMPONENTS FOR 1" IRRIGATION SERVICE.
- C. SOLVENT WELDS ON PVC PIPE/FITTINGS SHALL BE CLEANED AND PRIMED PRIOR TO APPLYING GLUE.

**NO. DESCRIPTION**

- 1. PLASTIC GREEN METER BOX & GREEN LID
- 2. STUD LOCK, FURNISHED BY CMUD
- 3. ANGLE BALL VALVE W/LOCK WINGS ( LOCKED-CLOSED )
- 4. 3/4" COPPER TUBING OR 3/4" HDPE-COPPER TUBING SIZE ( CTS )
- 5. 5/8" METER ASSEMBLY, WITH ERT AMR, FURNISHED BY CMUD
- 6. YOKE BAR
- 7. BRASS 90° YOKE STAR NUT x FNPT CONNECTOR - ( MULLER H - 14214, FORD L - 91, OR McDONALD 4779FY )
- 8. SCH 80 PVC ADAPTER ( MNPT x SOCKET )
- 9. 3/4" SCH 40 PVC SHORT PIECE ( L = AS REQUIRED )
- 10. SCH 80 PVC 90° BEND ( SOCKET x SOCKET )
- 11. 3/4" SCH 40 PVC TAIL PIPE ( L = 24" )
- 12. ERT - ELECTRONIC RADIO TRANSMITTER
- 13. ITRON 6.7" DIA. SHELF MOUNT ADAPTER W/FOAM SPACERS
- 14. ERT HANGER
- 15. SOLID STANDARD CONCRETE BRICK-DIAGONAL AT CORNERS - 4 EACH
- 16. AWG #12 GAUGE COPPER TRACER WIRE ( THWN ) WITH BLUE INSULATION, TERMINATE WITH 24 INCH EXCESS WIRE ( COILED ) AT METER BOX AND VALVE BOX ( TYP. )



TYPICAL ELEVATION



VIEW A-A

NO SCALE

STANDARD NO.

C

VERSION NO. V1.3

VERSION DATE 8.27.2010

3/4" - 1" IRRIGATION SERVICE DETAIL  
BACKFLOW AT ROAD RIGHT-OF-WAY / NO DUAL CHECK

CHARLOTTE-MECKLENBURG  
UTILITIES  
STANDARD DETAILS  
WATER

