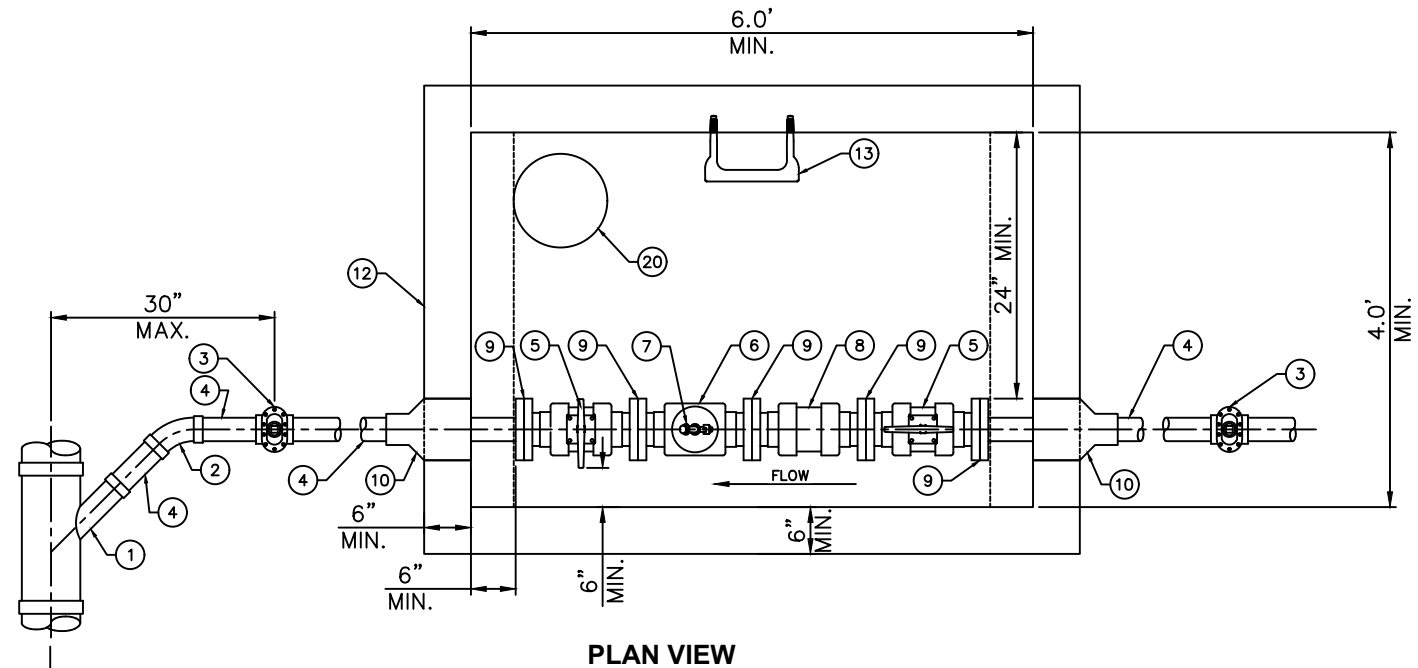


NOTES:

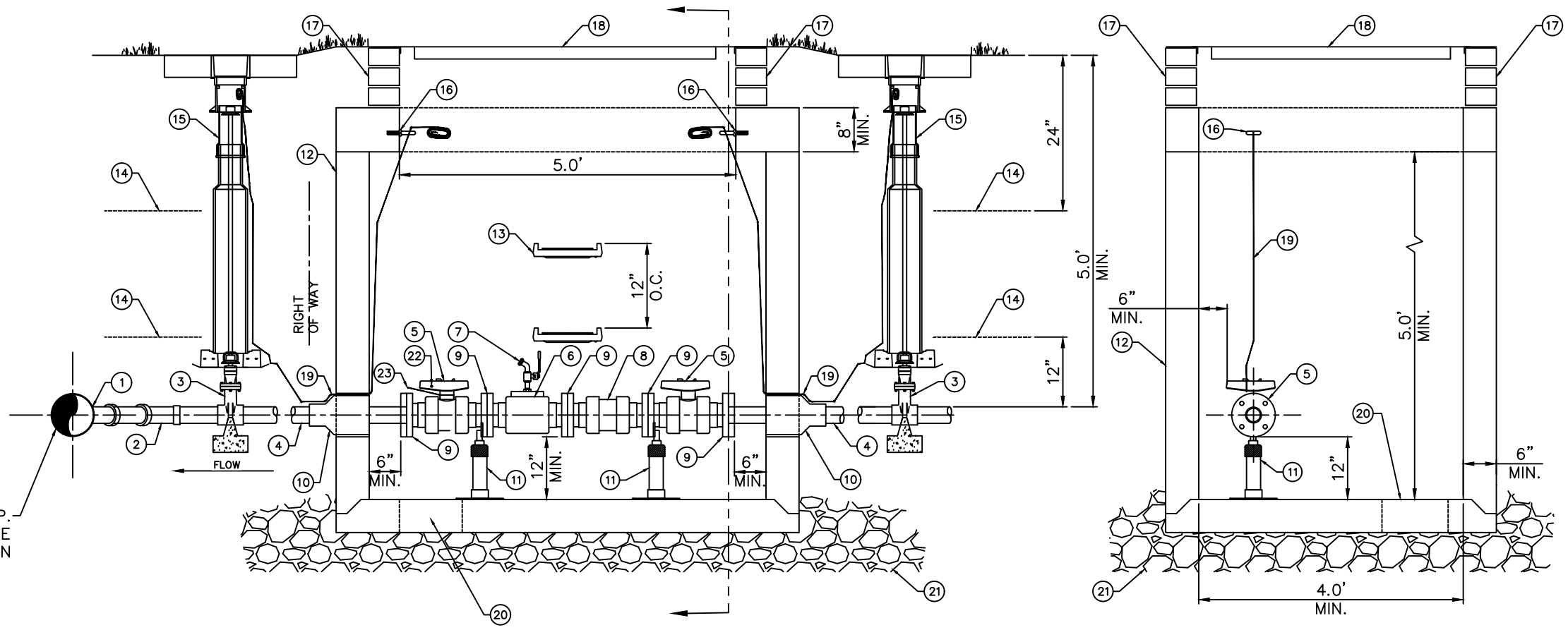
- A. VAULT SHALL NOT BE LOCATED IN PAVEMENT, SIDEWALKS OR DRIVEWAYS.
- B. VAULT SHALL BE 6' LONG, 4' WIDE, 5' DEEP MINIMUM.
- C. ALL FLANGE HARDWARE SHALL BE 316 OR 304 STAINLESS STEEL WITH ANTI-SEIZE COMPOUND, FLAT WASHER REQUIRED BETWEEN BOLD HEAD AND FLANGE, FLAT WASHER AND LOCK WASHER REQUIRED BETWEEN NUT AND FLANGE. TORQUE TO 20-25 FT. LBS.
- D. ALL PIPE AND FITTINGS SHALL BE SCHEDULE 80 PVC WITH SOLVENT WELD JOINTS, EXCEPT AS INDICATED INSIDE THE VAULT.
- E. ASSEMBLY CONFIGURATION AND LENGTH MAY VARY DUE TO BRAND - VERIFY LENGTH TO DETERMINE MINIMUM VAULT LENGTH.
- F. ALL CONCRETE SHALL BE MINIMUM 4000 PSI COMPRESSIVE STRENGTH.
- G. DESIGN SHALL CONFORM TO ASTM C858 - SPECIFICATIONS FOR "UNDERGROUND PRECAST CONCRETE UTILITY STRUCTURE".
- H. STEEL REINFORCING DESIGN SHALL CONFORM TO ASTM C857.
- I. REBARS SHALL BE GRADE 60 PER ASTM A615.
- J. WELDED WIRE FABRIC SHALL CONFORM TO ASTM A185.
- K. DIAGONAL REINFORCING SHALL BE ADDED AT ALL OPENINGS.
- L. PIPE PENETRATION SHALL BE SEALED WITH FLEXIBLE CONNECTORS (MANHOLE BOOTS).
- M. FRAME TO BE FLUSH WITH GROUND OR CONCRETE SIDEWALK, GROUND SHALL SLOPE AWAY FROM VAULT.
- N. ALL JOINTS SHALL BE MADE WATERTIGHT USING 2 RINGS OF BUTYL RUBBER JOINT MASTIC.

NO. DESCRIPTION

- 1. 2.5" OUTLET SCH 80 PVC WYE, W/CONC THRUST BLOCKING
- 2. 2.5" SCH 80 PVC 45 DEGREE BEND, W/CONC THRUST BLOCKING
- 3. 2.5" DI PLUG VALVE, FNTP, EXTENSION STEM, 2" OPERATING NUT, AND CONCRETE THRUST BLOCKING/ SUPPORT.
- 4. 2.5" SCH 80 PVC PIPE - SOLVENT WELD
- 5. 2.5" PVC HAYWARD TRUE UNION BALL VALVE W/ FLANGE ENDS, LOCKOUT HANDLE
- 6. 2.5"X2.5"X2" SCH 80 PVC FLANGE TEE W/2" SOLVENT WELD OUTLET, 2"X3/4" PVC REDUCING BUSHING, W/FNPT OUTLET
- 7. 3/4" BRASS HOSE BIB, MNPT
- 8. 2.5" PVC HAYWARD TRUE UNION BALL CHECK VALVE W/FLANGE ENDS
- 9. 2.5" SCH 80 PVC FLANGE SOLVENT WELD ADAPTORS, IF FLANGED MAJOR COMPONENTS ARE NOT AVAILABLE
- 10. RUBBER PIPE CONNECTOR BOOT
- 11. S.S. ADJUSTABLE FLANGE PIPE SUPPORTS W/ S.S EPOXY ADHESIVE ANCHORS (REQ'D - 2 EACH)
- 12. PRECAST CONCRETE VAULT - MIN L,W,D= 6'X4'X5'
- 13. PLASTIC STEP - 12" O.C. VERTICAL SPACING
- 14. 6" WIDE "PRESSURE SEWER" WARNING TAPE
- 15. STD SEWER VALVE BOX ASSEMBLY W/CONC PAD
- 16. 3/8" S.S. EYE BOLT (TYP)
- 17. MIN 3 COURSES CAP BLOCK W/3/8" MORTAR JOINTS, OR PRECAST RISER SECTION, MAX 2.5'
- 18. 4'X5' STEEL METER VAULT FAME AND COVER, 900 PSF MIN LOAD RATING, COVER SHALL BE "CLT WATER - L. P. SEWER", ERT HANGERS AND SLOTS NOT REQUIRED
- 19. SOLID COPPER AWG#12 GAUGE TRACER WIRE WITH 30 MILS GREEN HDPE INSULATION, TERMINATE WITH 24" AT EYE BOLT
- 20. 12" DIA SUMP HOLE
- 21. 12" COMPACTED #57 OR #67 WASHED STONE
- 22. BARREL LOCK - FURNISHED BY CLT WATER
- 23. PUMP STATION INSPECTION LOCKOUT WARNING TAG - FURNISHED BY CLT WATER



PLAN VIEW



SIDE VIEW

SECTION VIEW

EX. OR PROP.
LOW PRESSURE
SEWER MAIN

STANDARD NO.	C
VERSION NO.	1.0
VERSION DATE	09/13/2021

2.5-INCH LOW PRESSURE SEWER SERVICE

CHARLOTTE WATER
STANDARD DETAILS
LOW PRESSURE SEWER

