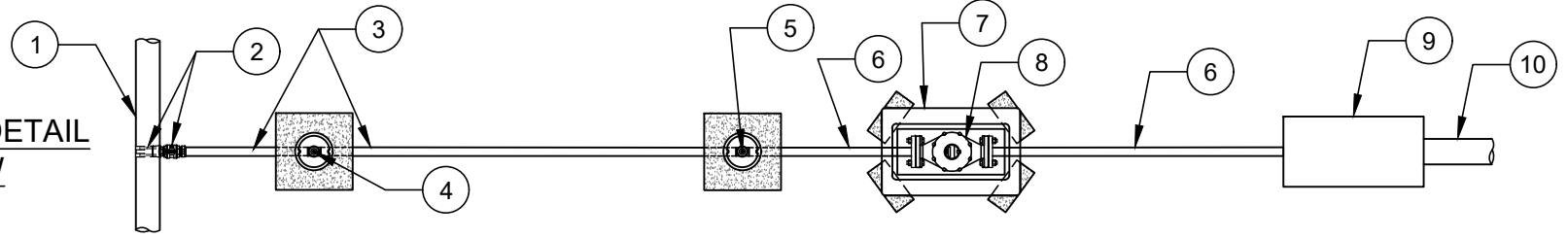
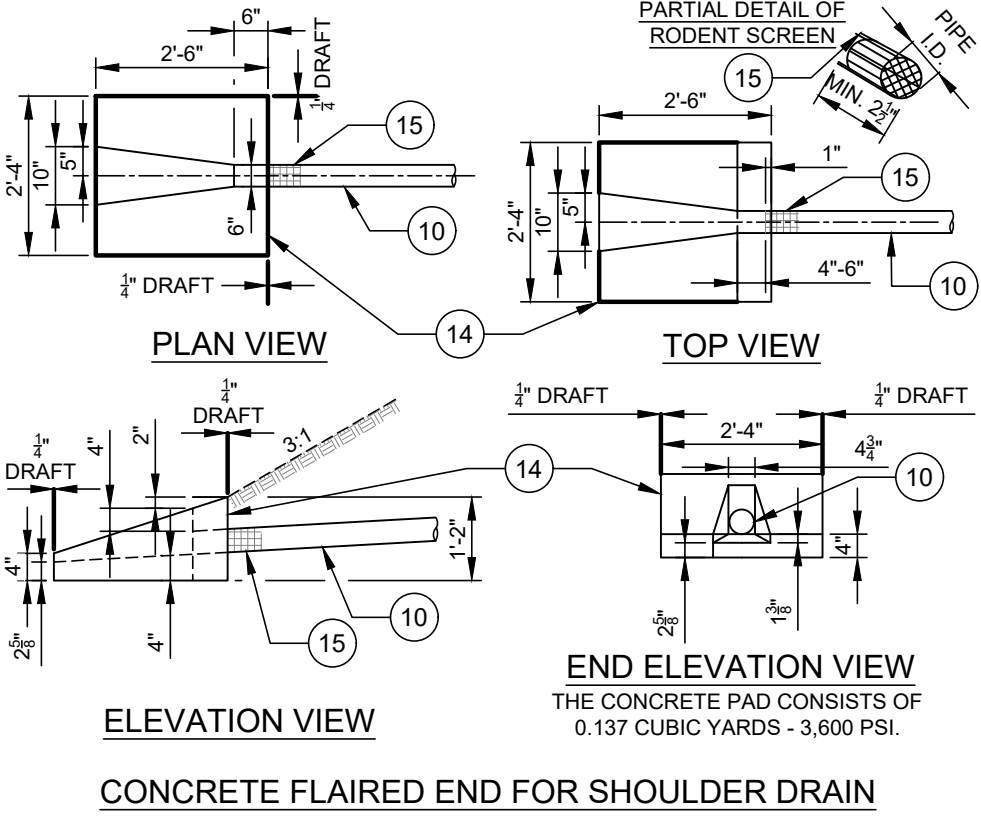
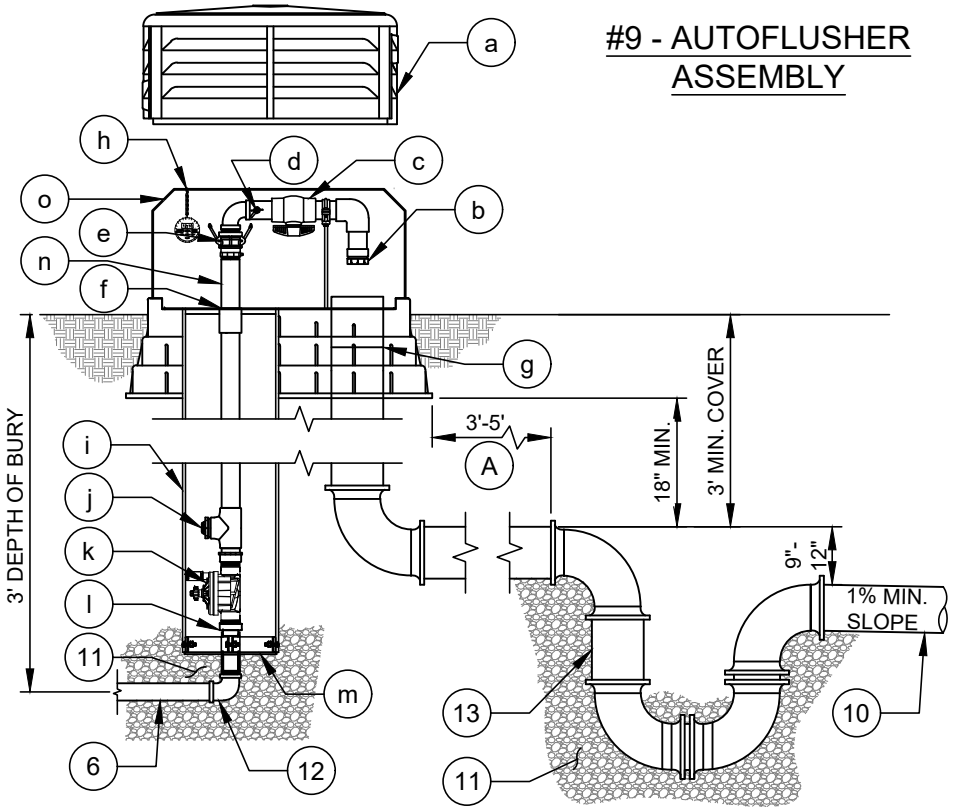


**INSTALLATION DETAIL
PLAN VIEW**



**#9 - AUTOFLUSHER
ASSEMBLY**



- NO. DESCRIPTION:**
1. WATER MAIN.
 2. 2" DOUBLE STRAP SERVICE SADDLE W/CORPORATION STOP - (CC THREAD x CTS COMPRESSION OUTLET).
 3. 2" TYPE K COPPER TUBING.
 4. 2" GATE VALVE (FIPT x FIPT) W/ BRASS MIPT x CTS COMPRESSION ADAPTOR, EACH END, W/ STD VALVE BOX ASSEMBLY.
 5. 2" GATE VALVE (FIPT x FIPT). WHEN REQUIRED BY CLTW, W/ BRASS MIPT x CTS COMPRESSION ADAPTOR-FRONT SIDE., W/ STD VALVE BOX ASSEMBLY.
 6. 2" BRASS NIPPLE (MIPT x MIPT) 30" OR 36" LAY LENGTH.
 7. 1" PLASTIC METER BOX W/PLASTIC LID (CONCRETE BOX REQUIRED IN HARDSCAPE) WITH 4 SUPPORT BRICKS.
 8. 2" WATER METER (2-BOLT METER FLANGE x 2-BOLT METER FLANGE) (W/ BRASS 2-BOLT METER FLANGE x FIPT ADAPTOR, EACH END) (W/ S.S. TYPE 304 BOLTS/NUTS).
 9. 2-INCH AUTOFLUSHER UNIT - MODEL 9800 AS MANUFACTURED BY KUPFERLE FOUNDRY COMPANY.
 - a. UV RESISTANT LOCKABLE LID.
 - b. DIFFUSER/TRAP.
 - c. 2" PVC BALL VALVE.
 - d. SAMPLING POINT.
 - e. 2" STAINLESS STEEL QUICK DISCONNECT. REMOVABLE ACCESS PLATE.
 - f. 6" SEWER PIPE CONNECTION.
 - g. CONTROLLER. HANG FROM LID SUPPORT BRACKET.
 - h. SDR 35 PVC PIPE.
 - i. AUTOMATIC DRAIN.
 - j. 2" AUTOMATIC VALVE.
 - k. O-RING CONNECTOR.
 - l. DEBRIS PLATE.
 - m. 2" SCH 80 PVC PIPE.
 - n. STEEL LID SUPPORT BRACKET.
 - o. 6" PVC SCH 80 DISCHARGE PIPING.
 10. CLEAN #57 WASHED STONE.
 11. 2" S.S. TYPE 304 OR 316 FIPT x FIPT 90 DEGREE BEND.
 12. 6" PVC SCH 80 PIPE & P TRAP.
 13. PRECAST CONCRETE FLAIRED END SECTION.
 14. RODENT SCREEN. 2"x2" TO 4"x4" GALV. HARDWARE CLOTH 0.063 WIRE OR EQUAL INSTALLED 4" TO 6" INSIDE DRAIN PIPE.
 15. HARDWARE CLOTH 0.063 WIRE OR EQUAL INSTALLED 4" TO 6" INSIDE DRAIN PIPE.

- NO. ALTERNATE DESCRIPTION:**
- WHEN USING HDPE (IPS)POLY IN PLACE OF COPPER TUBING, USE THE FOLLOWING PRODUCTS:
2. 2" BALL CORPORATION STOP - (CC THREAD x FIPT OUTLET).
 3. 2" SDR 9 (IPS) HDPE PIPE, WITH BUTT FUSED HDPE x S.S. THREADED ADAPTOR, EACH END.
 4. 2" GATE VALVE (FIPT x FIPT), W/STD VALVE BOX ASSEMBLY.
 5. 2" GATE VALVE (FIPT x FIPT), WHEN REQ'D BY CLTW, W/ STD VALVE BOX ASSEMBLY.
 6. 2" SDR 9 (IPS) HDPE PIPE, WITH BUTT FUSED HDPE x S.S. THREADED ADAPTOR, EACH END, 30" OR 36" L.L.

- NOTES:**
- A. INSTALL TRAP 3'-5' DOWNSTREAM FROM EDGE OF UNIT WITH A 6-INCH SERVICE LINE.
 - B. FLUSH WATER LINES FREE OF DEBRIS BEFORE INSTALLATION OF AUTO-FLUSHER.
 - C. DISCHARGE WATER FROM THE AUTO-FLUSHER UNIT MAY BE MANAGED IN ONE OF THREE WAYS:
 1. DISCHARGE INTO AN EXISTING SANITARY SEWER MAIN WITH A 6-INCH SERVICE LINE. CONNECT MATCHING CROWNS OR WITH OUTSIDE DROP PER SEWER STANDARD DETAILS. AN INSIDE DROP MAY BE INSTALLED IN A 5-FT DIAMETER MANHOLE PER SEWER STANDARD DETAILS. DISCHARGE MAY ALSO CONNECT TO A

- STANDARD 6-INCH SEWER LATERAL.
2. DISCHARGE INTO AN EXISTING STORM WATER MAIN. THIS CONNECTION MUST TAKE INTO ACCOUNT THE DOWNSTREAM IMPACTS OF THE CONNECTION, AND BE APPROVED BY CHARLOTTE OR MECKLENBURG COUNTY STORMWATER SERVICES.
3. SURFACE DISCHARGE THROUGH PIPING AND AN OUTLET STRUCTURE, PERMITTING OVERLAND FLOW TO A DITCH OR STREAM. DETAIL FOR THE OUTLET STRUCTURE IS SHOWN ON THIS SHEET.
- D. BASED ON ACTUAL METER READINGS, ADJUST GATE VALVE TO RESTRICT ACTUAL MAXIMUM FLOW TO 80 GPM.