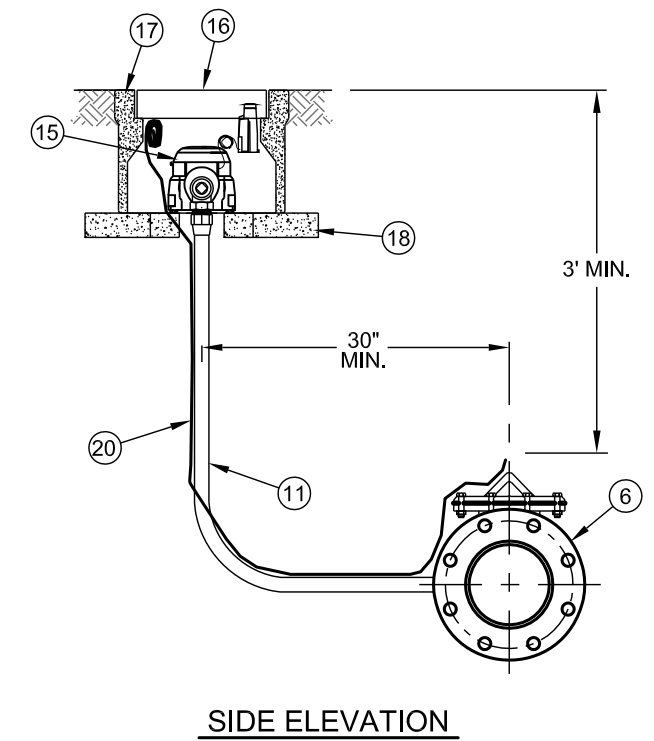
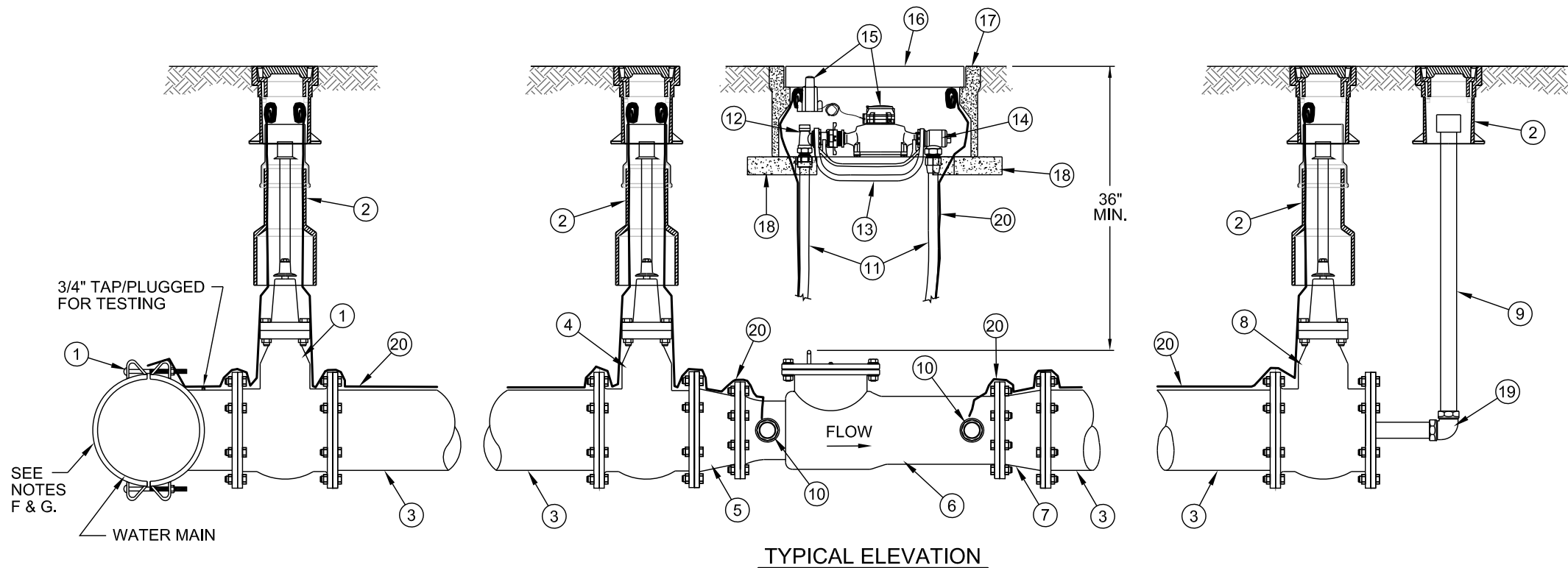
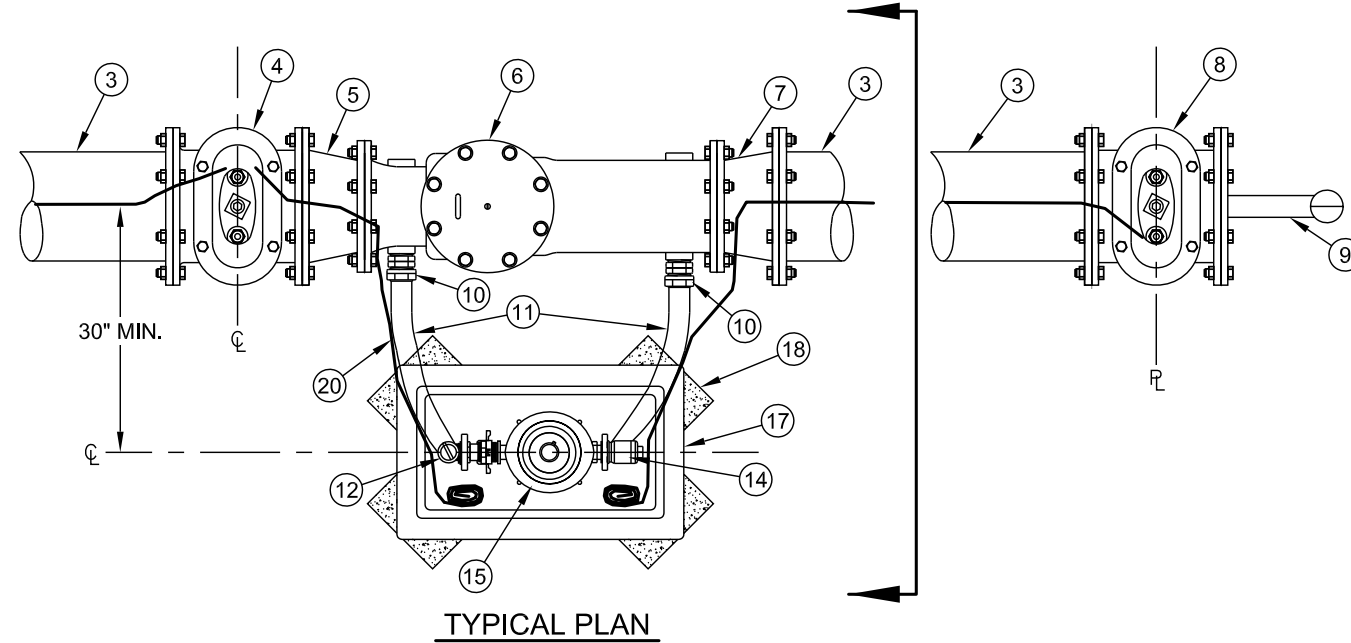
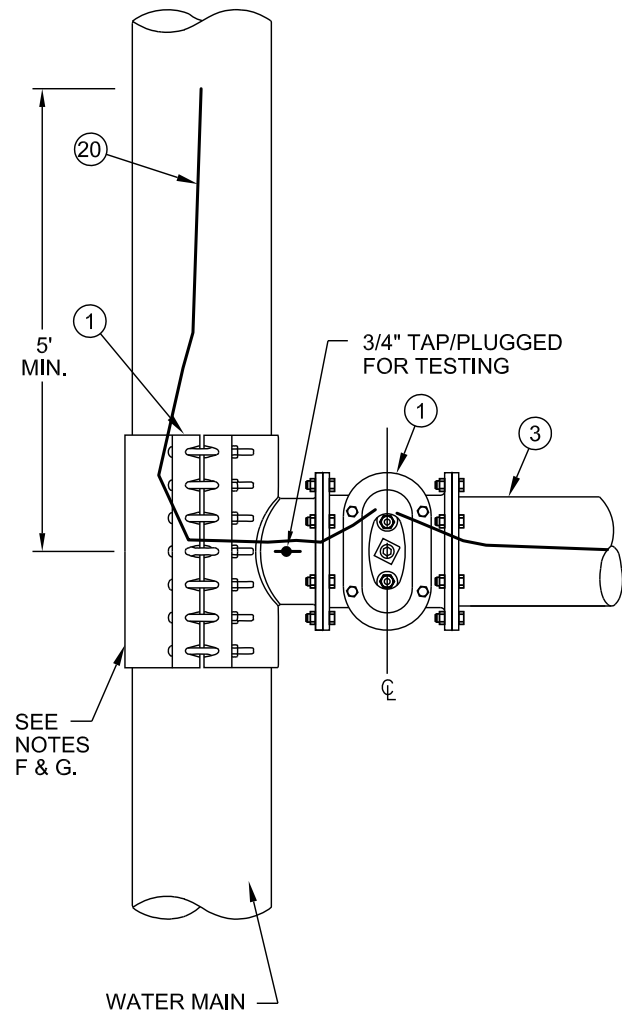


FIRE SERVICE SIZE	DETECTOR METER SIZE
12"	1"

NOTES:

- A. ALL FLANGE HARDWARE (BOLT/WASHER/NUT) SHALL BE STAINLESS STEEL - TYPE 304 WITH ANTI-SEIZE COMPOUND.
- B. ALL PIPE SHALL BE RESTRAINED JOINT DUCTILE IRON FROM TAP TO PROPERTY LINE VALVE.
- C. METER BOX TO BE FLUSH WITH GROUND OR CONCRETE SIDEWALK, GROUND SHALL SLOPE AWAY FROM METER BOX.
- D. ALL VALVES SHALL BE OPEN RIGHT - CLOCKWISE, EXCEPT NO. ⑧.
- E. ONE INCH METER SHALL BE INSTALLED IN STANDARD CONCRETE METER BOX PER STD. DETAIL.
- F. WRAP TAPPING SLEEVE WITH 2 LAYERS HDPE PLASTIC FILM (HDCLPE PER AWWA C-105) - 4 MILS EACH LAYER - EXTEND HDPE 2 FT. EACH WAY FROM SLEEVE - DUCT TAPE OR ZIP LOCK TIE ENDS.
- G. CONCRETE THRUST BLOCKING REQUIRED AT TAPPING SLEEVE.
- H. ANGLE BALL VALVE ⑫ PERMANENT LOCK (WITH CMU SERIAL #) SHALL BE FURNISHED BY CMU.



NO. DESCRIPTION

- 1 TAPPING SLEEVE & FL x MJ 12" TAPPING VALVE ON EXISTING MAIN. MJ TEE AND MJ 12" GATE VALVE ON NEW MAIN
- 2 STANDARD VALVE BOX ASSEMBLY (TYP) - ALL VALVES
- 3 RESTRAINED JOINT DUCTILE IRON PIPE - 12" DIAMETER
- 4 12" MJ GATE VALVE ON LONG SIDE SERVICES. OMIT ON SHORT SIDE SERVICE (NOT SHOWN)
- 5 12" x 10" REDUCER - MJ x FLANGE
- 6 10" DETECTOR CHECK VALVE (FLANGE x FLANGE)
- 7 10" x 12" REDUCER - FLANGE x MJ
- 8 MJ GATE VALVE (RESTRAINED, OPEN LEFT) AT PROPERTY LINE. (FL x MJ GATE VALVE BOLTED DIRECTLY TO 10" x 12" REDUCER ⑦ - WHEN APPROVED)
- 9 2" PIPE GALV. STEEL (SCH 80), RED BRASS (SCH 40), HDPE (DR 9), OR DUCTILE IRON PIPE, WITH THREADED COUPLING.
- 10 CTS x MNPT BRASS STRAIGHT COUPLING (WITH BRASS HEX REDUCING BUSHING - AS REQUIRED)
- 11 1" COPPER TUBE - TYPE K OR HDPE (PLOY TUBING) SDR 9
- 12 1" ANGLE BALL VALVE WITH LOCK WINGS (LOCK OPEN)(CTS COMPRESSION x YOKE STAR NUT)
- 13 1" METER YOKE BAR
- 14 1" SINGLE ANGLE CHECK VALVE (YOKE STAR NUT x CTS COMPRESSION)
- 15 1" METER ASSEMBLY WITH AMR ERT TRANSMITTER (BY CMU)
- 16 SOLID POLYETHYLENE (HDPE) METER BOX LID PER STD. DETAIL
- 17 17" x 28" CONCRETE METER BOX PER STANDARD DETAIL
- 18 SOLID STANDARD CONCRETE BRICKS - DIAGONAL AT CORNERS - 4 EACH
- 19 MALLEABLE IRON (GALV.) 90 ° BEND (FNPT x FNPT)
- 20 AWG #12 GAUGE COPPER TRACER WIRE (THWN) WITH BLUE INSULATION, TERMINATE WITH 24 INCH EXCESS WIRE (COILED) AT METER BOX AND VALVE BOX (TYP.)

NO SCALE

STANDARD NO.	L
VERSION NO.	1.0
VERSION DATE	02.26.2010

12" FIRE LINE SERVICE WITH
DETECTOR METER ASSEMBLY

CHARLOTTE-MECKLENBURG
UTILITIES
STANDARD DETAILS
WATER

