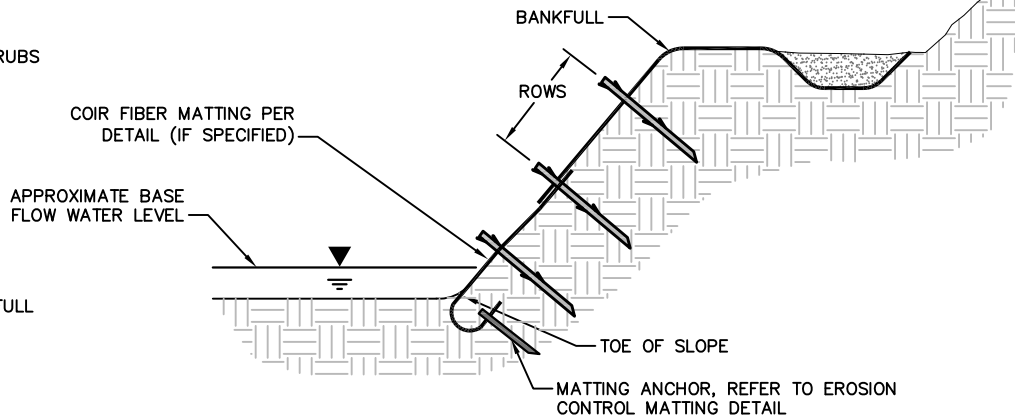
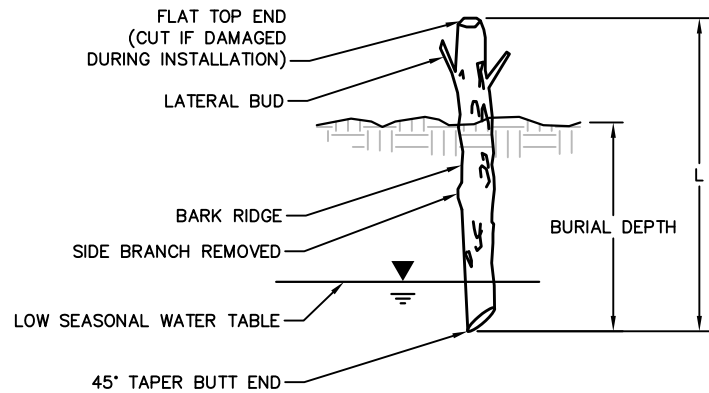


PLAN VIEW



TYPICAL SECTION



LIVE STAKE DETAIL

- NOTES:**
- LIVE STAKES SHALL BE INSTALLED ON FINISHED STREAM BANKS. "FINISHED" GENERALLY REFERS TO ANY AND/OR ALL OF THE FOLLOWING AS SPECIFIED BY THE DESIGNER:
 - GRADED
 - PREPARED (ROTO-TILLED, RAKED, AND AMENDED),
 - SEEDED,
 - MULCHED, AND
 - COVERED WITH EROSION CONTROL MATTING.
 - LIVE STAKES SHALL BE FASHIONED FROM DORMANT CUTTINGS OF WOODY PLANT SPECIES (TREES AND SHRUBS) SPECIFIED BY THE DESIGNER AND SHOWN IN THE TABLE ON THIS SHEET OR ELSEWHERE IN THE PLANS (E.G. -A PLANTING PLAN).
 - LIVE STAKES SHALL NOT BE PLACED WITHIN THE DRIP LINE OF ANY EXISTING TREES AND/OR SHRUBS THAT REMAIN ON THE BANKS.
 - LIVE STAKES SHALL NOT BE PLANTED WITHIN 5 FEET OF HEADWALL, WINGWALL, OR OTHER CITY INFRASTRUCTURE.
 - DETAILED HANDLING, PREPARATION, AND INSTALLATION GUIDELINES FOR LIVE STAKES SHALL BE SPECIFIED BY THE DESIGNER, INCLUDING:
 - LIVE STAKES MAY BE STORED UP TO 10 DAYS IN WATER.
 - ALL LATERAL BRANCHES SHALL BE CAREFULLY REMOVED FROM THE WOODY CUTTINGS PRIOR TO INSTALLATION.
 - LIVE STAKES SHALL BE DRIVEN INTO THE GROUND USING A "DEAD BLOW" PLASTIC HAMMER, BY CREATING A PILOT HOLE AND SLIPPING THE STAKE INTO IT, OR WITH THE USE OF A HYDRAULIC INJECTION SYSTEM. SOIL SHALL BE FIRMLY PACKED AROUND THE HOLE AFTER INSTALLATION.
 - SPLIT OR OTHERWISE DAMAGED LIVE STAKES SHALL NOT BE USED.

DESIGN VARIABLES			
	REACH <u> </u>	REACH <u> </u>	REACH <u> </u>
DIAMETER	1/2"-2"	--	--
LENGTH	2' - 3'	--	--
BURIAL DEPTH	4/5L	--	--
SPACING (O.C.)	3'	--	--
ROWS ¹	4	--	--
PLACEMENT OF 1ST ROW FROM TOE OF SLOPE	0.5'	--	--

¹ ROWS SHOULD BE EQUALLY SPACED BETWEEN APPROXIMATE BASEFLOW WATER LEVEL AND BANKFULL.

*ENGINEER TO ADJUST AS NECESSARY, MINIMUMS CANNOT BE ADJUSTED WITHOUT CITY APPROVAL

NOT TO SCALE



CHARLOTTE-MECKLENBURG
STORM WATER SERVICES
GENERIC DETAIL REQUIREMENTS

LIVE STAKES

DRAFT - NOT TO BE USED FOR CONSTRUCTION

REVISION DATE	
5/14/2021	
STD. NO.	
XX.XX	